



- Performance hollow shaft encoder for heavy duty industries
- High vibration and shock resistance
- Electrically insulated shaft



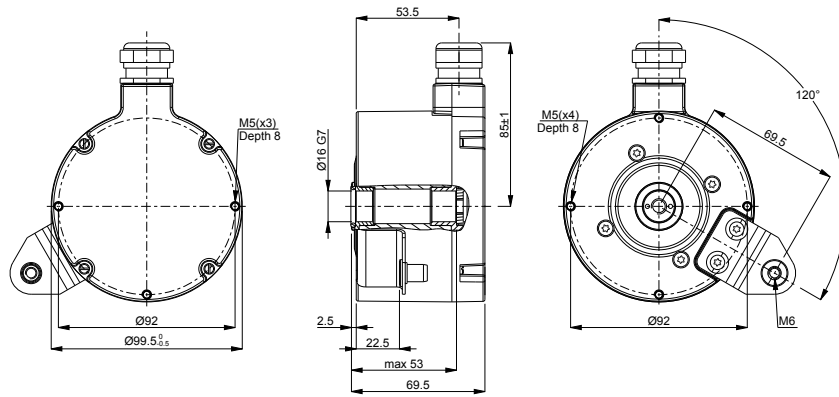
Technical data

Operating temperature	-40 °C .. +85 °C
Ingress protection class [IEC 60529]	IP67 (IP66 at shaft inlet)
Vibration [IEC 60068-2-6]	≤ 200 m/s ²
Shock [IEC 60068-2-27]	≤ 1500 m/s ²
Cover material	Aluminium (coated)
Weight	1300 g
Shaft load (axial/radial)	100 N / 300 N
Rotational speed max	6000 rpm
Shaft material	Stainless steel with insulated peek insert
Short circuit protected	No
Polarity protected	No
Current consumption	85 mA (Max. 100 mA)
Output load	120 Ω
Output frequency max	200 kHz
Cable length max	150 m at 90 pF
Channel separation	90° el ± 25° el
Dividing error	±50° el

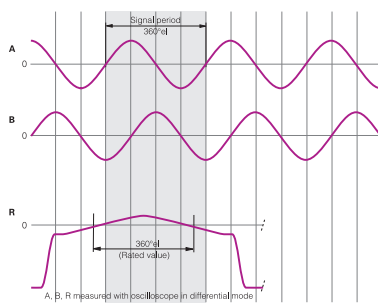
Encoder configuration

Code key description	861108996
Type	XHI
Model	861
Shaft type	Ø16 mm blind hollow shaft
Flange type	86-flange
Resolution	2048
Power supply	5 Vdc
Output signal	1Vpp
Connection type	Cable
Connecting direction	Radial
Cable length	2.00 m
Cable gland dimension	M20 for Ø8-11 mm cables
Number of channels	6
Advanced Diagnostic System	Available upon request
Torque bracket	120 degrees orientation

Dimensions



Output signals



Pin configuration

Function	Colour
+ E Volt	Red
0 Volt	Blue
R	Brown
R inverted	Violet
B	Green
B inverted	White
A	Yellow
A inverted	Black
Housing	Shield

Ordering information

Part number 1108793-01