

- 58mm diameter
- Extremely robust design
- Shock and vibration protected
- Inductive scanning

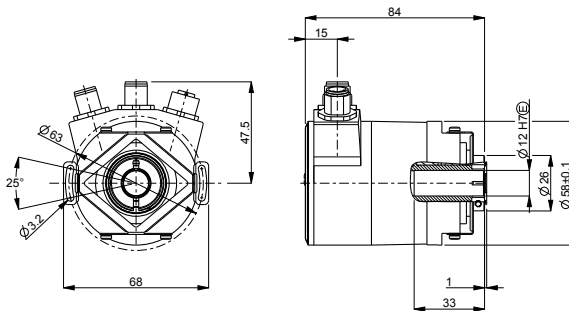


Technical data

Operating temperature	-40 °C .. +70 °C
Ingress protection class [IEC 60529]	IP67
Current consumption	90 mA at 24 Vdc
Vibration [IEC 60068-2-6]	≤ 300 m/s ²
Shock [IEC 60068-2-27]	≤ 2000 m/s ²
Cover material	Aluminium (anodized)
Weight	430 g
Shaft load (axial/radial)	100 / 140 N
Shaft material	Stainless steel
Rotational speed max	12000 rpm
Polarity protected	Yes

Encoder configuration

Type	IHA
Model	607 Singleturn
Shaft type	Ø12 mm blind hollow shaft
Flange type	58/59-flange with stator coupling
Resolution	19 bit singleturn
Power supply	9-36 Vdc
Output signal	CANopen
Connection type	3xM12 connectors
Connecting direction	Radial

Dimensions**Output signals****Pin configuration**

Function	Pin
M12 Bus out	
CAN_SHIELD	1
CAN_GND	3
CAN_H	4
CAN_L	5
M12 Bus in	
CAN_SHIELD	1
CAN_GND	3
CAN_H	4
CAN_L	5
M12 Power	
+E Volt	1
0 Volt	3

Ordering information

Part number

1084486-01