

- Robust encoder with solid shaft
- Short-circuited protected outputs
- IP67 at housing, IP66 at shaft inlet
- Dimensions according to imperial standards



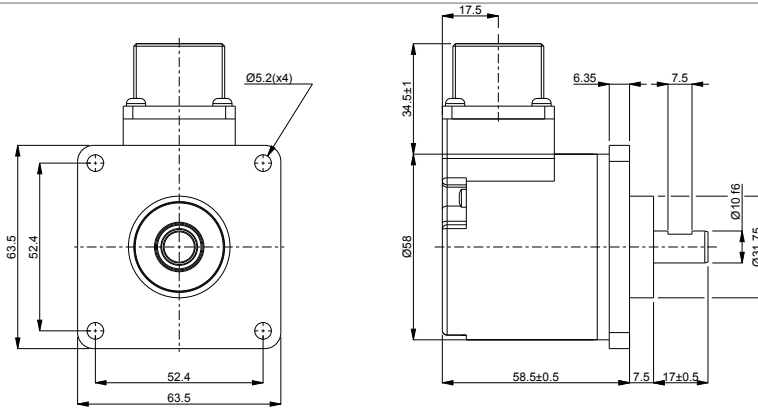
Technical data

| | |
|--------------------------------------|------------------------------|
| Operating temperature | -40 °C .. +70 °C |
| Ingress protection class [IEC 60529] | IP67 (IP66 at shaft inlet) |
| Vibration [IEC 60068-2-6] | ≤ 300 m/s ² |
| Shock [IEC 60068-2-27] | ≤ 2000 m/s ² |
| Cover material | Aluminium |
| Weight | 300 g |
| Shaft load (axial/radial) | 50 N / 60 N |
| Rotational speed max | 6000 rpm |
| Shaft material | Stainless steel |
| Short circuit protected | Yes |
| Polarity protected | Yes |
| Current consumption | 25 mA at 24 Vdc (Max. 40 mA) |
| Output load | ± 20 mA |
| Output frequency max | 300 kHz |
| Cable length max | 1000 m |
| Channel separation | 90° el ± 25° el |
| Dividing error | ±50° el |

Encoder configuration

| | |
|----------------------|---------------------------|
| Type | RSI |
| Model | 505 Imperial measurements |
| Shaft type | Ø10 with partial flat |
| Flange type | Square flange (65-type) |
| Resolution | 1000 |
| Power supply | 9-30 Vdc |
| Output signal | RS422 |
| Connection type | M5 connector 10-pin |
| Connecting direction | Radial |

Dimensions



Output signals



Pin configuration

| Function | Pin |
|---------------|--------|
| S00 | A |
| S90 | B |
| Sref | C |
| +EV | D |
| +EV Sensor | E |
| 0V | F |
| S00 inverted | G |
| S90 inverted | H |
| Sref inverted | I |
| Chassis | Shield |

Ordering information

Part number

1068676-01