

- 58mm diameter
- Single turn resolution  $\leq 10$  bit
- Robust design
- Shock and vibration protected

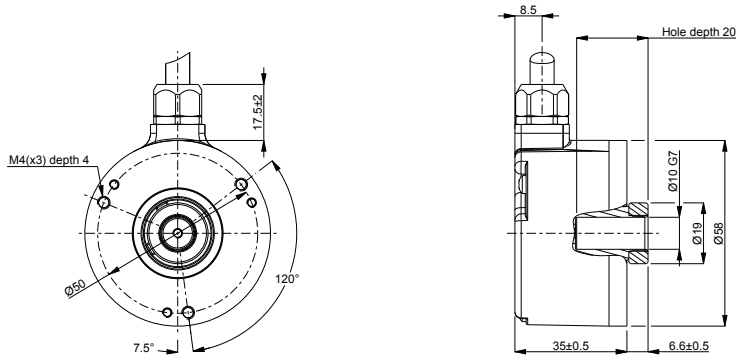


## Technical data

|                                      |                                      |
|--------------------------------------|--------------------------------------|
| Operating temperature                | -40 °C .. +80 °C                     |
| Ingress protection class [IEC 60529] | IP67/IP66 (Encoder body/Shaft inlet) |
| Current consumption                  | 40 mA at 24 Vdc                      |
| Vibration [IEC 60068-2-6]            | $\leq 300$ m/s <sup>2</sup>          |
| Shock [IEC 60068-2-27]               | $\leq 2000$ m/s <sup>2</sup>         |
| Cover material                       | Aluminium                            |
| Weight                               | 300 g                                |
| Shaft load (axial/radial)            | 10 N / 20 N                          |
| Shaft material                       | Stainless steel                      |
| Rotational speed max                 | 6000 rpm                             |
| Polarity protected                   | Yes                                  |

## Encoder configuration

|                      |                           |
|----------------------|---------------------------|
| Type                 | RHA                       |
| Model                | 506 Singleturn            |
| Shaft type           | Ø10 mm blind hollow shaft |
| Flange type          | 56/57-flange              |
| Resolution           | 10 bit singleturn         |
| Power supply         | 9-36 Vdc                  |
| Output signal        | Analogue 4-20 mA          |
| Connection type      | Cable                     |
| Connecting direction | Radial                    |
| Cable length         | 5.00 m                    |
| Active angle         | 90.0                      |

**Dimensions****Output signals****Pin configuration**

| Function      | Colour |
|---------------|--------|
| +E V          | Red    |
| 0 Volt        | Blue   |
| I out         | Green  |
| Preset        | White  |
| Code sequence | Black  |
| Chassis       | Shield |

**Ordering information**

Part number

1041471-01