

S8

Автономные светильники аварийного освещения

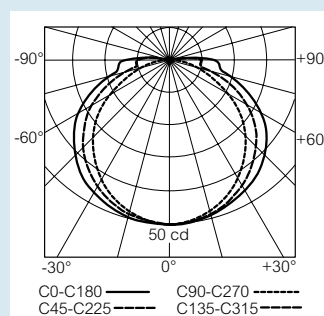
■ Светометрические характеристики

Расстояние до светильника в метрах для обеспечения минимального уровня освещенности 1 люкс

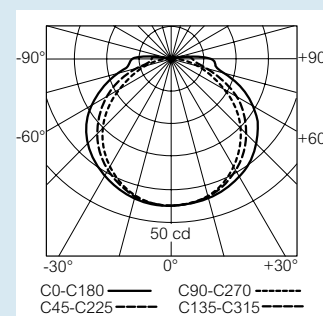
| Высота установки светильников (м) | Уровень освещенности непосредственно под светильником (люкс) | Продольное расстояние от стены | | Продольное расстояние между светильниками | | Поперечное расстояние между светильниками | | Поперечное расстояние от стены | |
|-----------------------------------|--|--------------------------------|-------|---|-------|---|-------|--------------------------------|-------|
| | | D (m) | D (m) | D (m) | D (m) | D (m) | D (m) | D (m) | D (m) |
| 660 00 | | | | | | | | | |
| 2.5 | 6.2 | 3 | | 3.8 | | 4.3 | | 3.3 | |
| 3 | 4.3 | 3 | | 4 | | 4.5 | | 3.4 | |
| 3.5 | 3.2 | 3 | | 4.2 | | 4.7 | | 3.3 | |
| 4 | 2.4 | 2.9 | | 4.3 | | 4.8 | | 3.2 | |
| 4.5 | 1.9 | 2.7 | | 4.3 | | 4.8 | | 3.2 | |
| 5 | 1.5 | 2.5 | | 4.3 | | 4.7 | | 2.7 | |
| 5.5 | 1.3 | 2 | | 4.2 | | 4.6 | | 2.2 | |
| 6 | 1.1 | 1.2 | | 4 | | 4.4 | | 1.3 | |
| 660 01 | | | | | | | | | |
| 2.5 | 6.2 | 3 | | 3.8 | | 4.3 | | 3.3 | |
| 3 | 4.3 | 3 | | 4 | | 4.5 | | 3.4 | |
| 3.5 | 3.2 | 3 | | 4.2 | | 4.7 | | 3.3 | |
| 4 | 2.4 | 2.9 | | 4.3 | | 4.8 | | 3.2 | |
| 4.5 | 1.9 | 2.7 | | 4.3 | | 4.8 | | 3 | |
| 5 | 1.5 | 2.5 | | 4.3 | | 4.7 | | 2.7 | |
| 5.5 | 1.3 | 2 | | 4.2 | | 4.6 | | 2.2 | |
| 6 | 1.1 | 1.2 | | 4 | | 4.4 | | 1.3 | |
| 660 02 | | | | | | | | | |
| 2.5 | 6.7 | 3 | | 3.8 | | 4/4.5 | | 3.2/3.5 | |
| 3 | 4.6 | 3.1 | | 4.1 | | 4.3/4.7 | | 3.3/3.6 | |
| 3.5 | 3.4 | 3.1 | | 4.2 | | 4.4/4.9 | | 3.3/3.5 | |
| 4 | 2.6 | 3 | | 4.4 | | 4.6/5 | | 3.2/3.4 | |
| 4.5 | 2 | 2.9 | | 4.4 | | 4.7/5.1 | | 3.1/3.3 | |
| 5 | 1.7 | 2.6 | | 4.4 | | 4.7/5 | | 2.8/2.9 | |
| 5.5 | 1.4 | 2.3 | | 4.3 | | 4.6/4.9 | | 2.4/2.5 | |
| 6 | 1.1 | 1.6 | | 4.2 | | 4.5/4.8 | | 1.8/1 | |
| 660 03 | | | | | | | | | |
| 2.5 | 4.9 | 2.7 | | 3.5 | | 4 | | 3 | |
| 3 | 3.4 | 2.7 | | 3.7 | | 4.2 | | 3 | |
| 3.5 | 2.5 | 2.6 | | 3.8 | | 4.2 | | 2.9 | |
| 4 | 1.9 | 2.4 | | 3.8 | | 4.2 | | 2.7 | |
| 4.5 | 1.5 | 2.1 | | 3.8 | | 4.2 | | 2.3 | |
| 5 | 1.2 | 1.6 | | 3.7 | | 4.1 | | 1.7 | |
| 5.5 | 1 | 0.5 | | 3.5 | | 3.8 | | 0.5 | |
| 660 04 | | | | | | | | | |
| 2.5 | 4.9 | 2.7 | | 3.5 | | 3.9 | | 3 | |
| 3 | 3.4 | 2.7 | | 3.7 | | 4.1 | | 3 | |
| 3.5 | 2.5 | 2.6 | | 3.7 | | 4.2 | | 2.9 | |
| 4 | 1.9 | 2.4 | | 3.8 | | 4.2 | | 2.6 | |
| 4.5 | 1.5 | 2.1 | | 3.7 | | 4.2 | | 2.3 | |
| 5 | 1.2 | 1.6 | | 3.6 | | 4 | | 1.7 | |
| 5.5 | 1 | 0.3 | | 3.5 | | 3.8 | | 0.4 | |
| 660 05 | | | | | | | | | |
| 2.5 | 5.2 | 2.7 | | 3.5 | | 3.7/4.1 | | 2.9/3.1 | |
| 3 | 3.6 | 2.7 | | 3.7 | | 3.9/4.4 | | 2.9/3.2 | |
| 3.5 | 2.7 | 2.7 | | 3.8 | | 4.1/4.5 | | 2.9/3 | |
| 4 | 2 | 2.5 | | 3.9 | | 4.2/4.5 | | 2.7/2.9 | |
| 4.5 | 1.6 | 2.3 | | 3.9 | | 4.1/4.5 | | 2.5/2.6 | |
| 5 | 1.3 | 1.8 | | 3.8 | | 4.1/4.3 | | 2/2.1 | |
| 5.5 | 1.1 | 1.1 | | 3.7 | | 3.9/4.1 | | 1.1/1.2 | |

■ Кривые распределения силы света, в кд/1000 лм

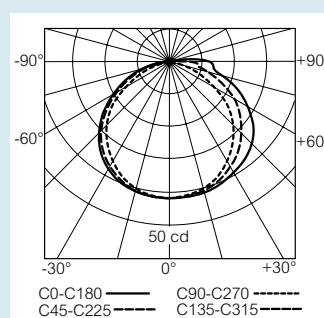
Кат. № 660 00



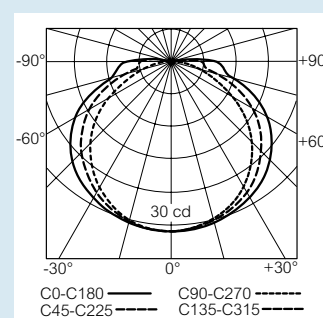
Кат. № 660 01



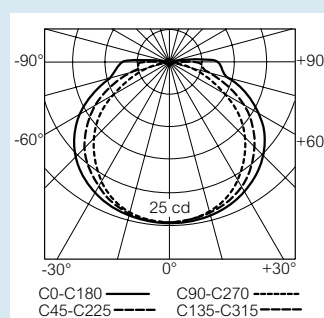
Кат. № 660 02



Кат. № 660 03



Кат. № 660 04



Кат. № 660 05

