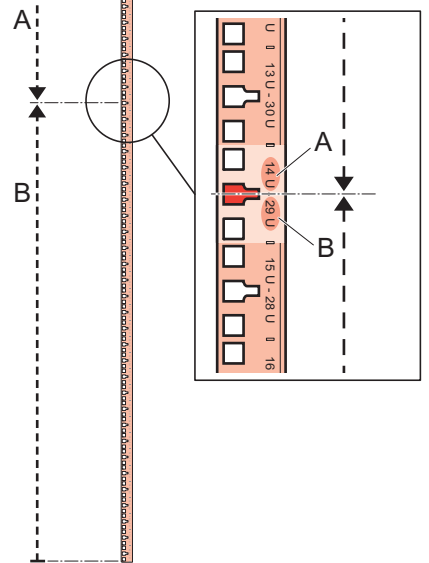
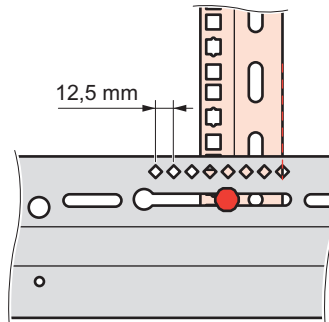
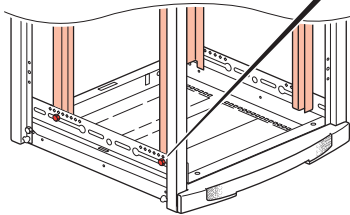
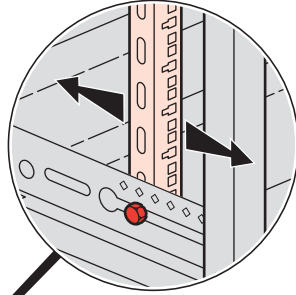
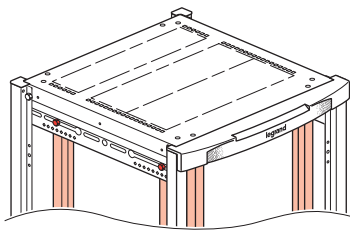
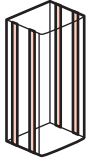
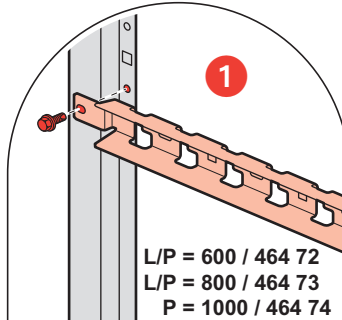
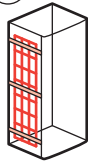


F



G

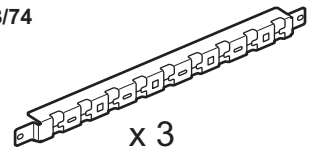


L/P = 600 / 464 72  
L/P = 800 / 464 73  
P = 1000 / 464 74

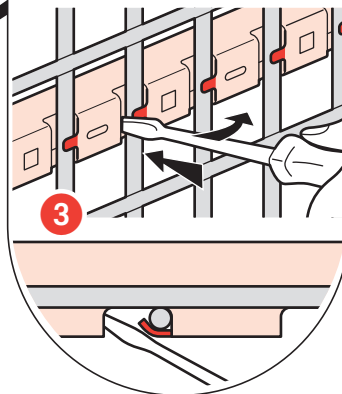
464 72/73/74



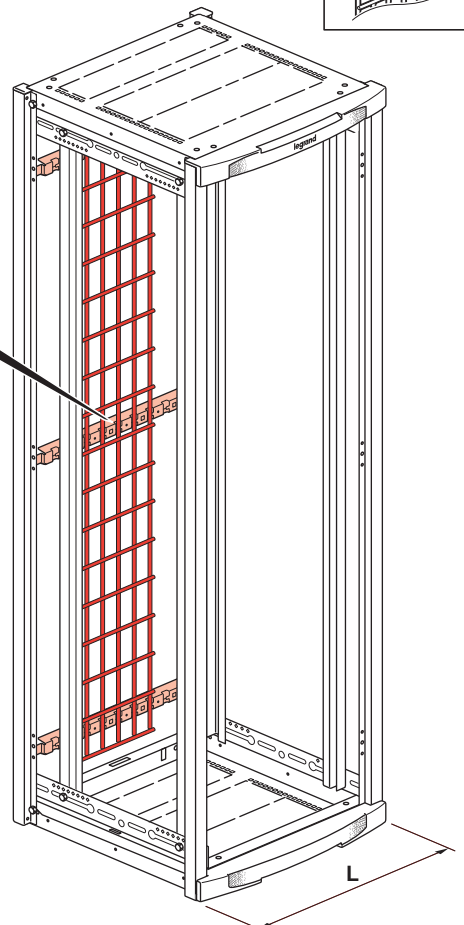
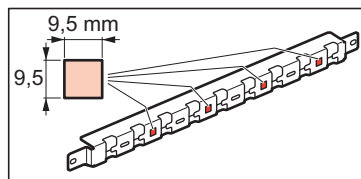
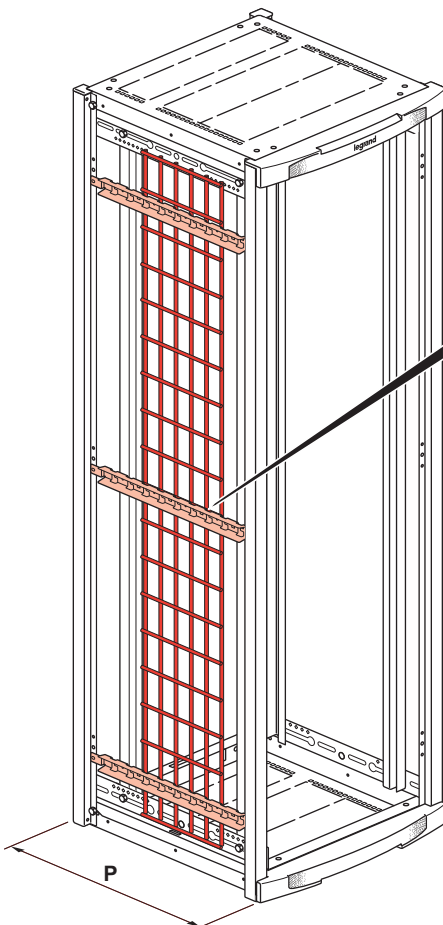
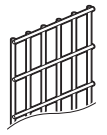
x 6



x 3

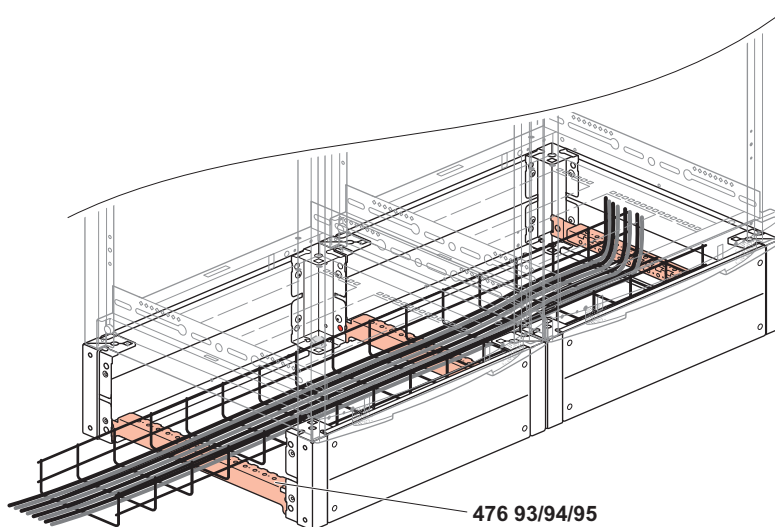
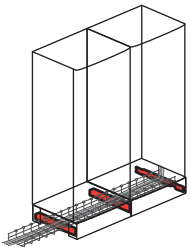
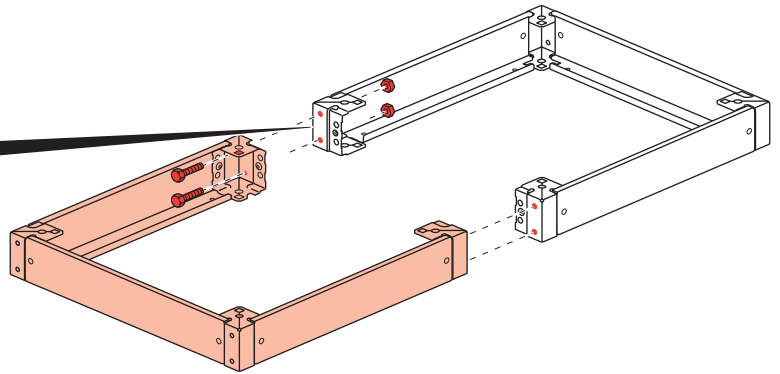
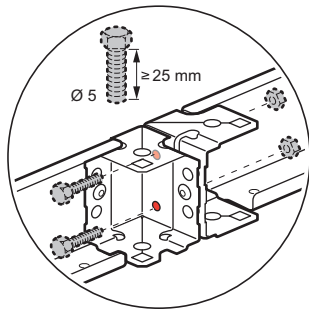
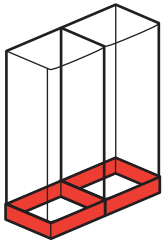
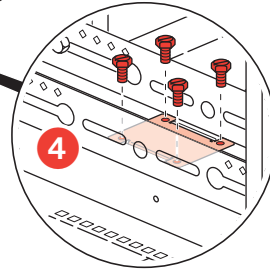
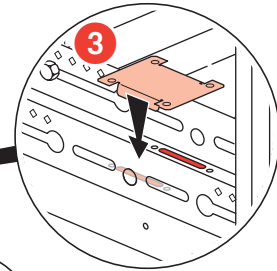
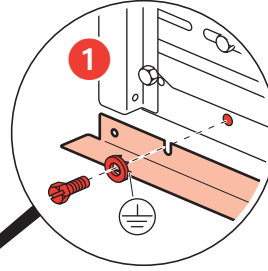
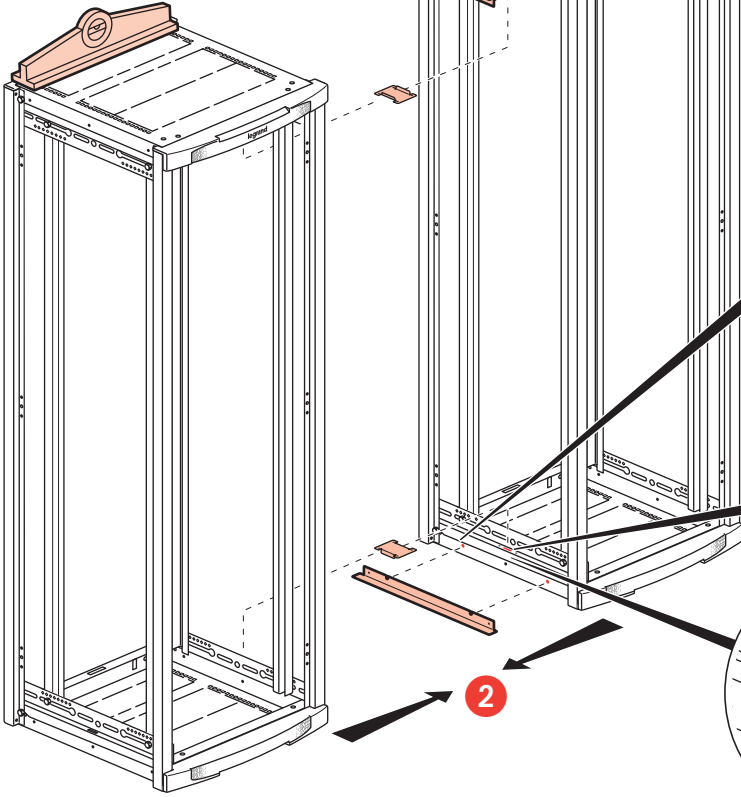
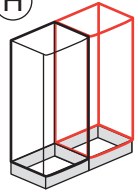
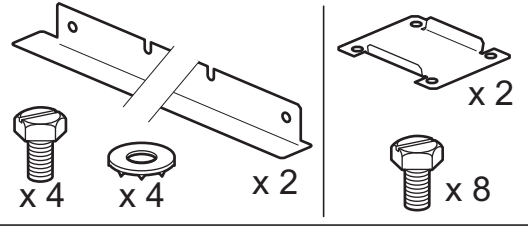


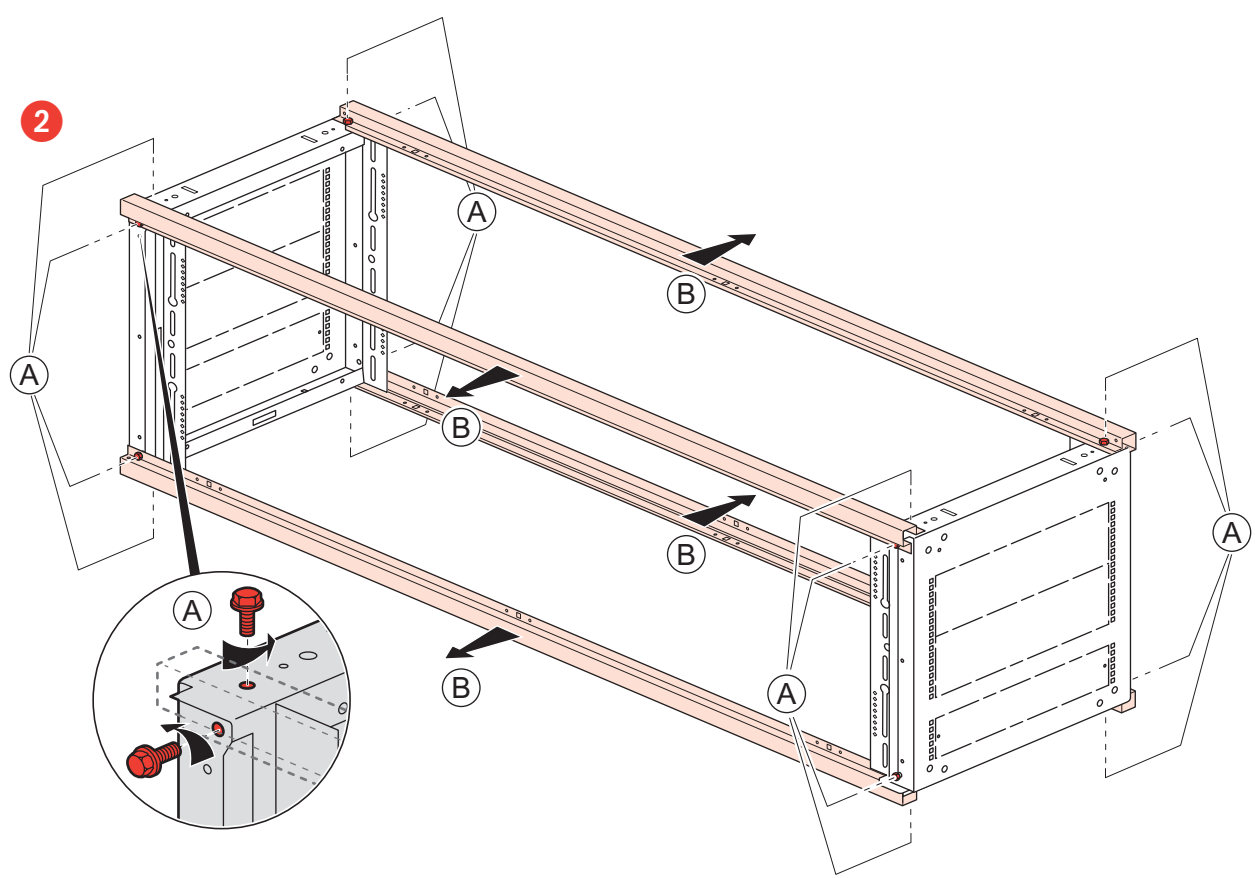
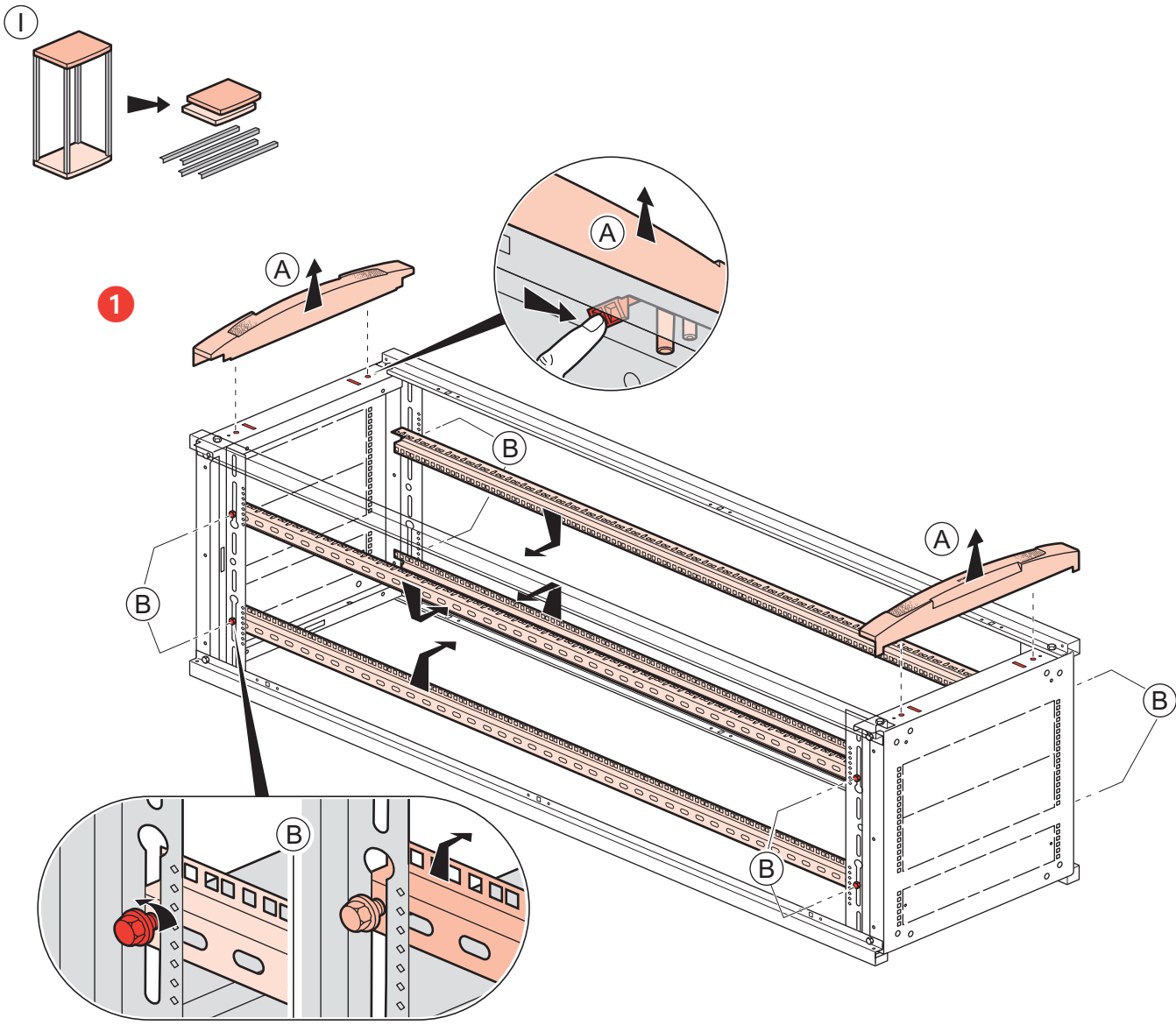
464 76/77



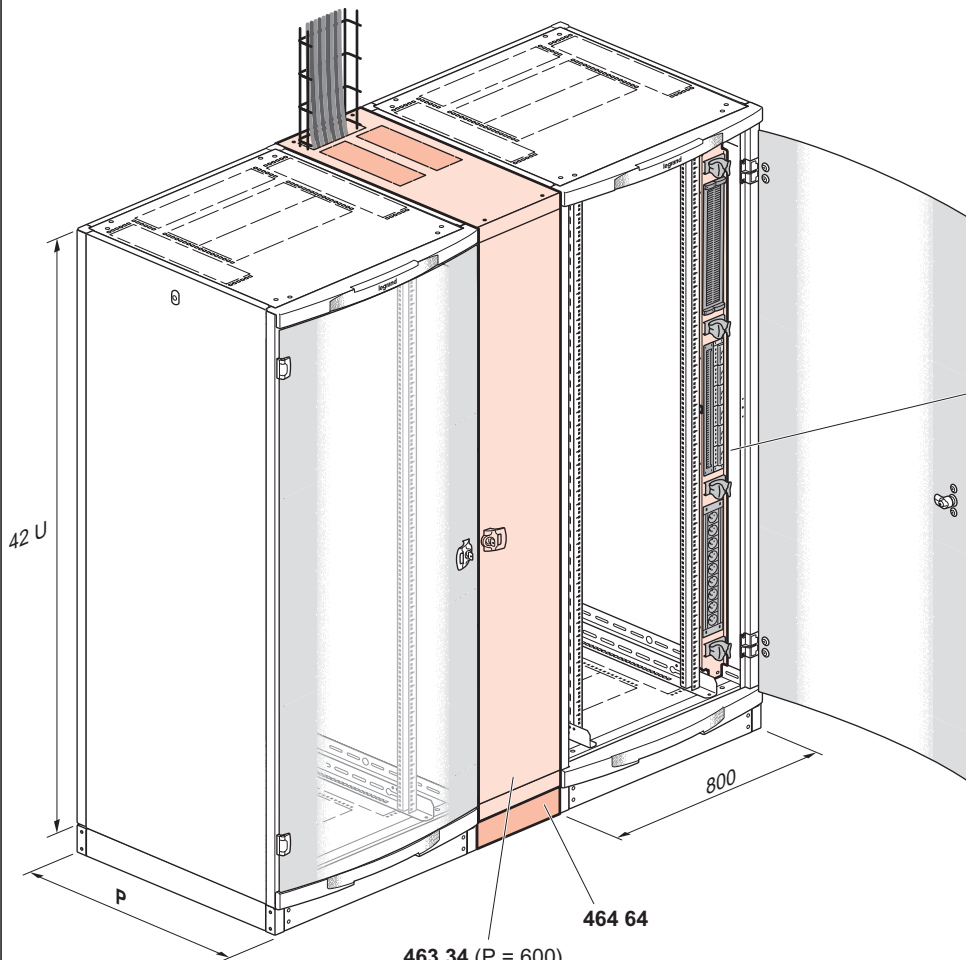
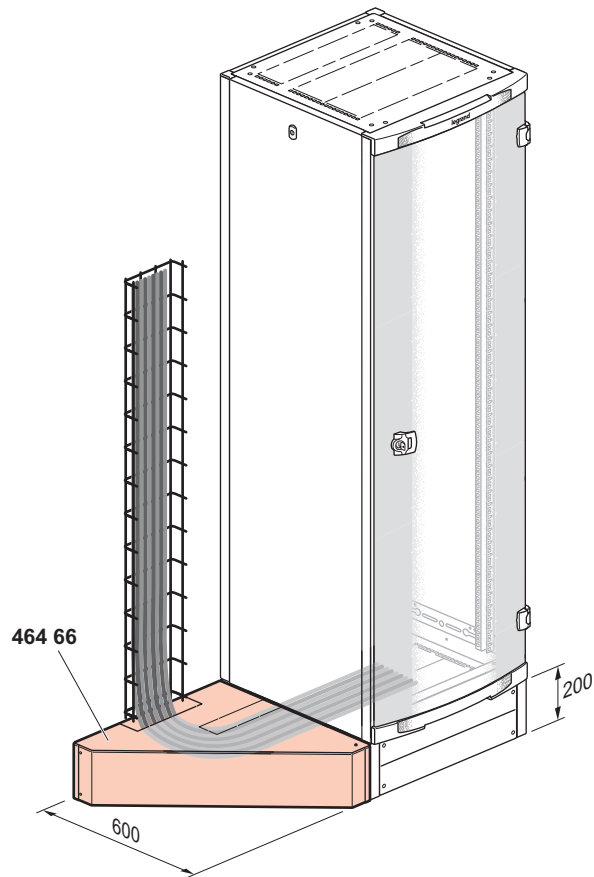
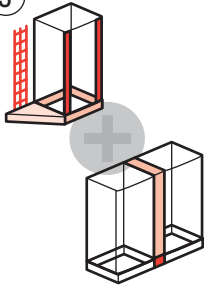
H

463 37/38/39





J



463 34 (P = 600)  
463 35 (P = 800)

