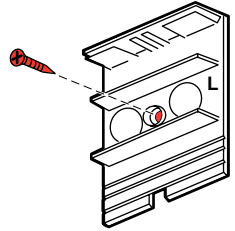
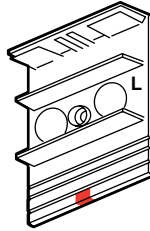
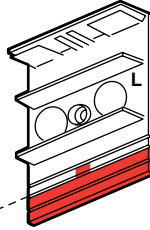


1

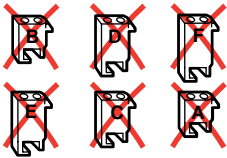
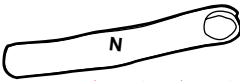
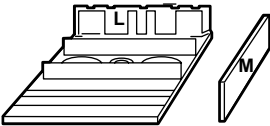
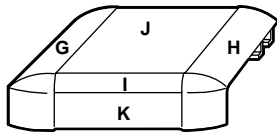
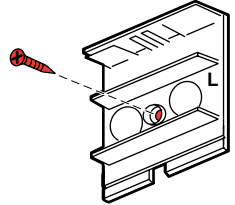
75 x 16



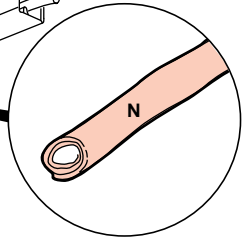
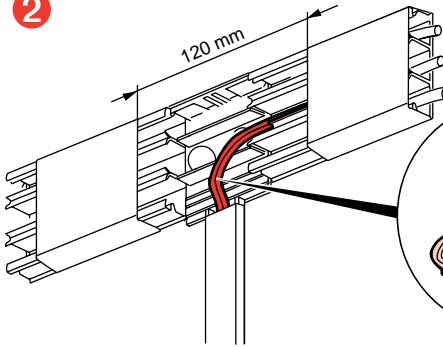
60 x 16



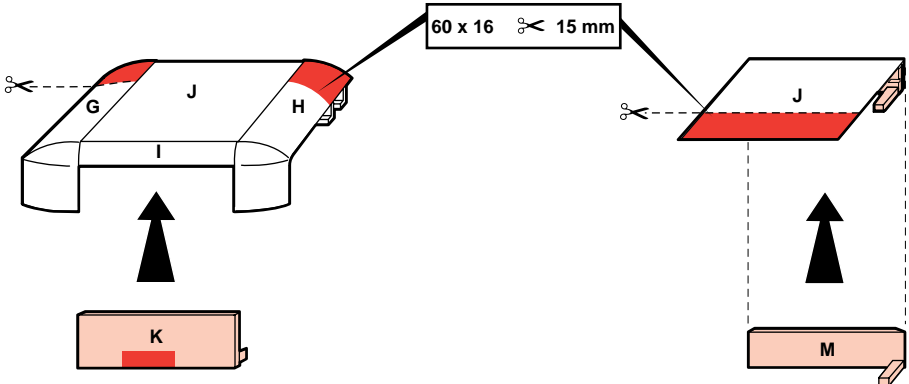
15 mm

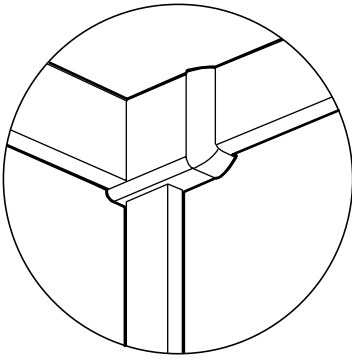


2



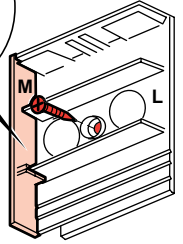
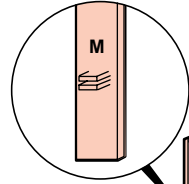
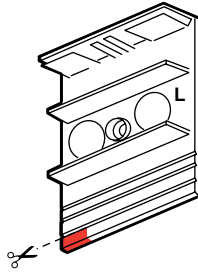
3



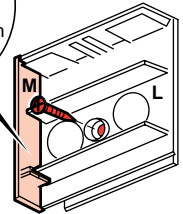
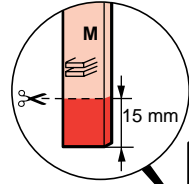
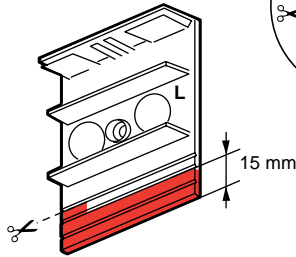


1

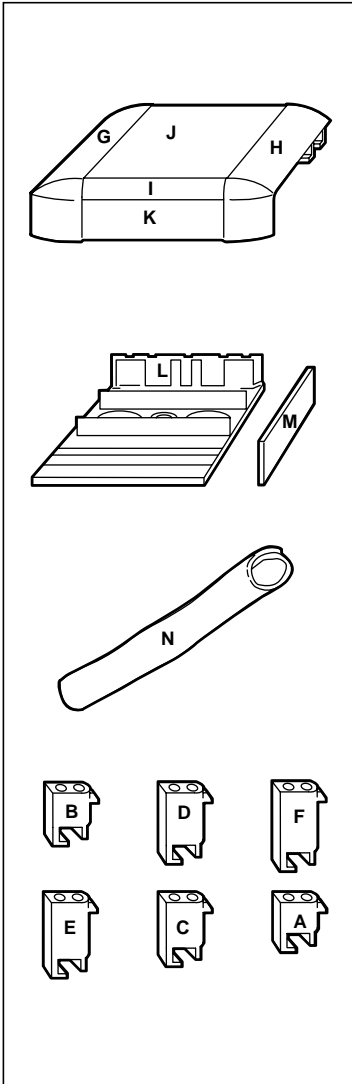
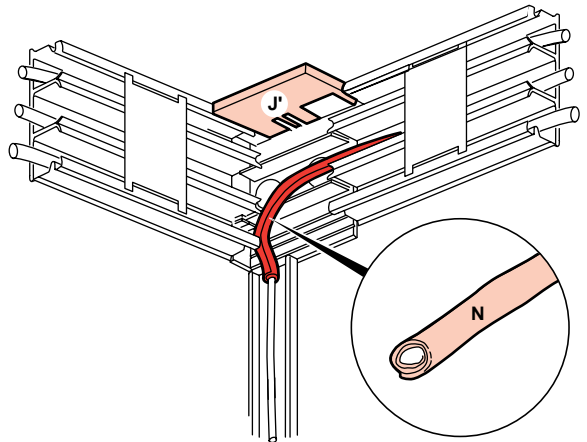
75 x 16



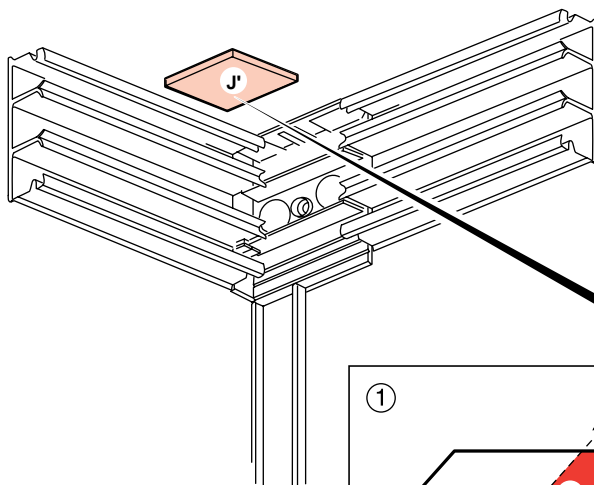
60 x 16



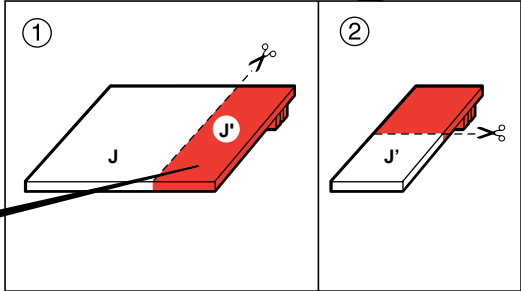
3



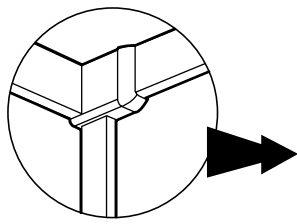
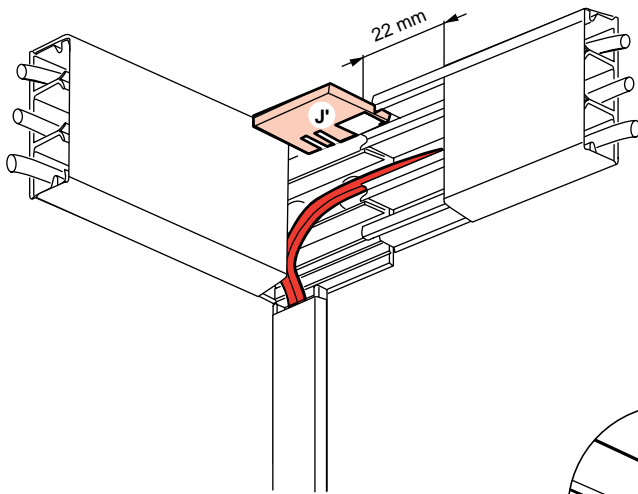
2



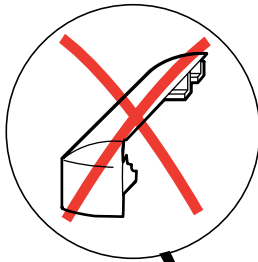
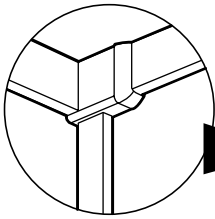
60 x 16 ✂ 19 mm
60 x 16 ✂ 19 mm



4

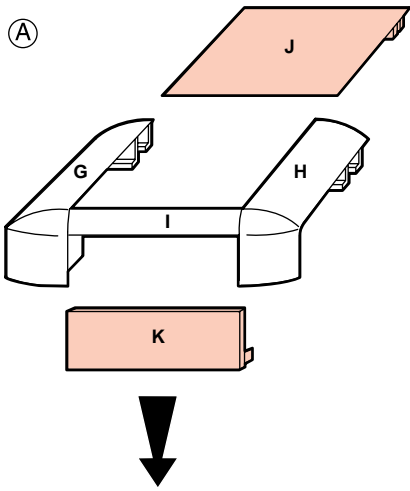


5

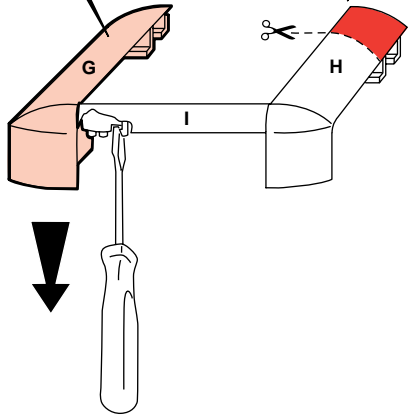


60 x 16 ✂ 15 mm

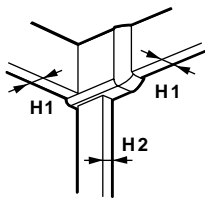
(A)



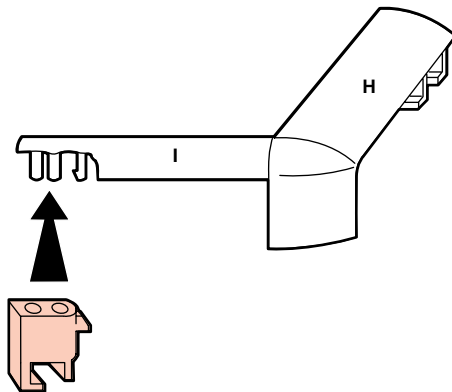
(B)



(C)

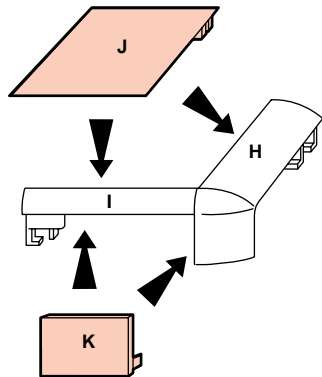
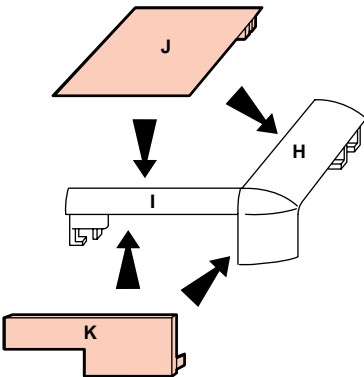
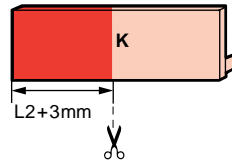
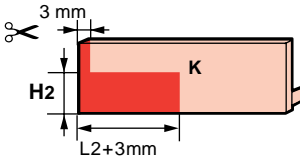
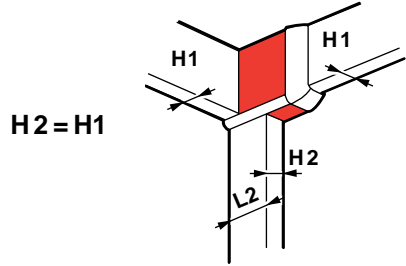
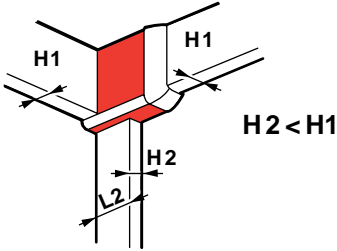
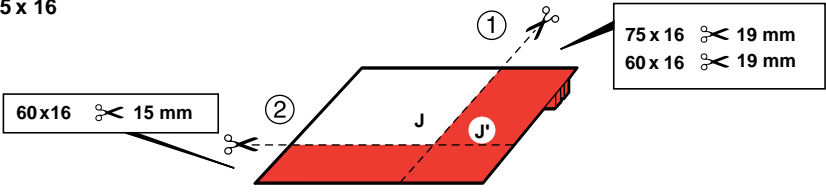


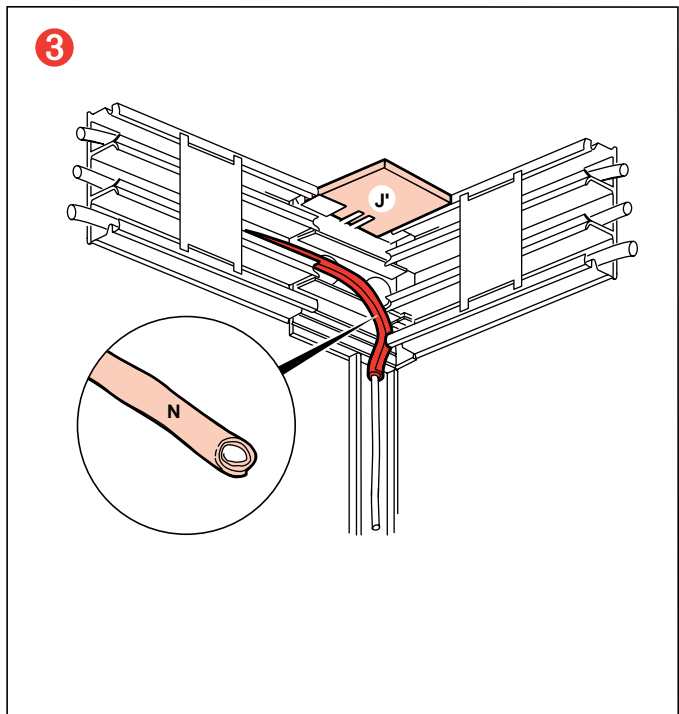
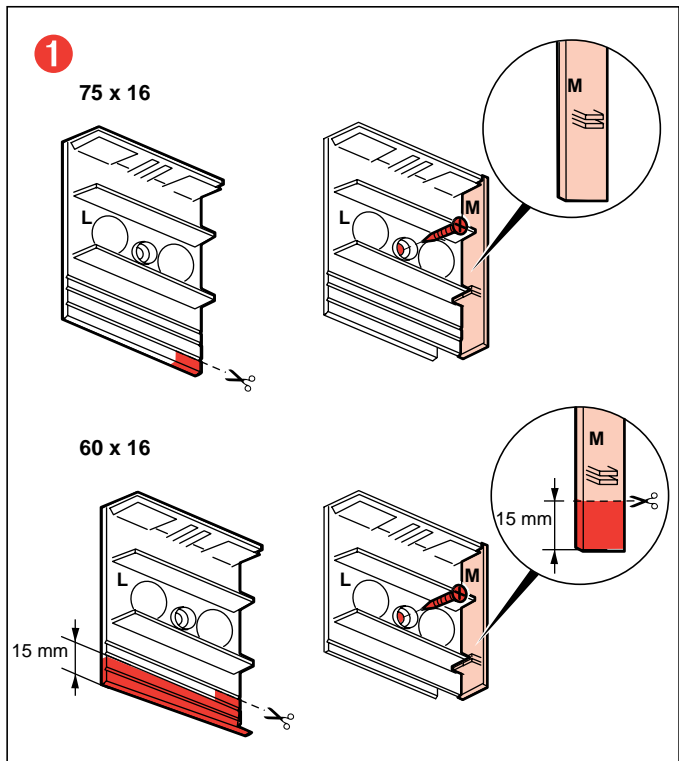
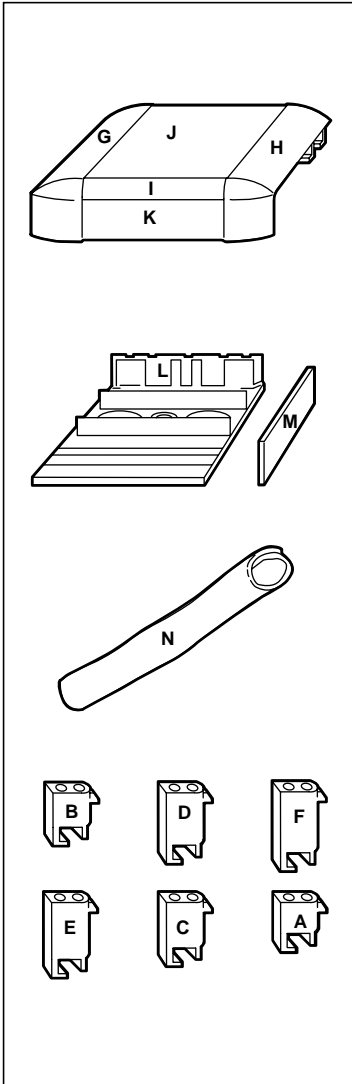
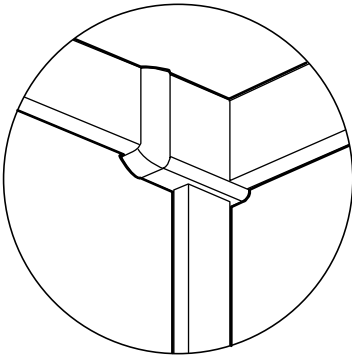
H1	H2	
16	16	A
	12,5	B



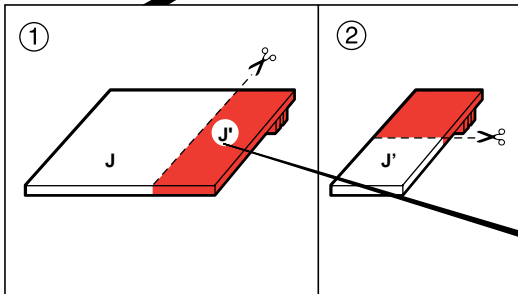
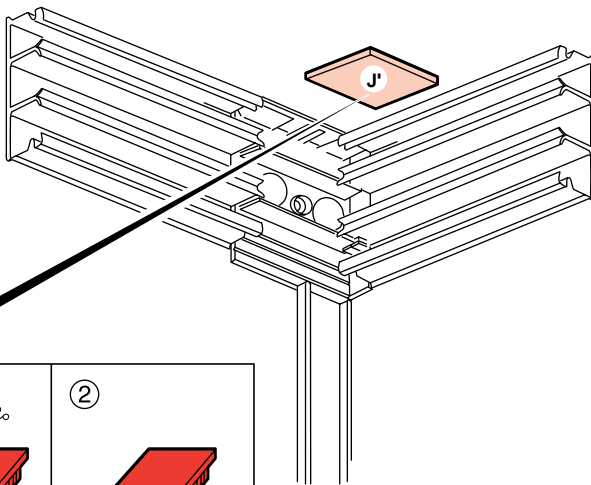
Ⓓ

60 x 16
75 x 16



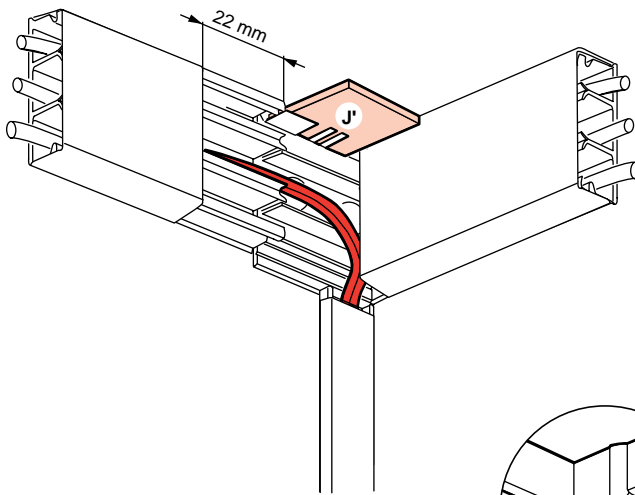


2

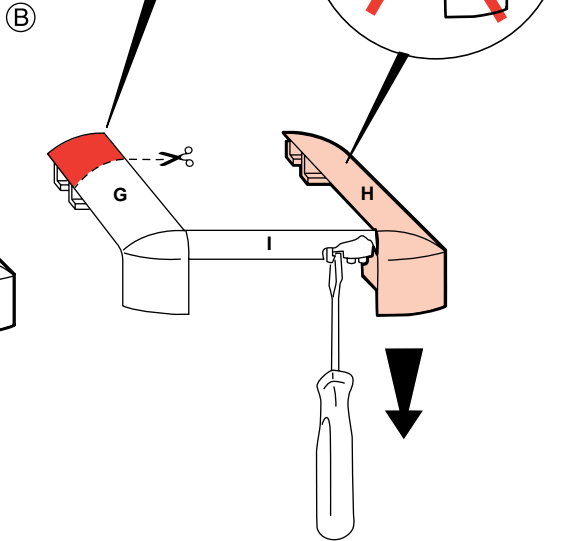
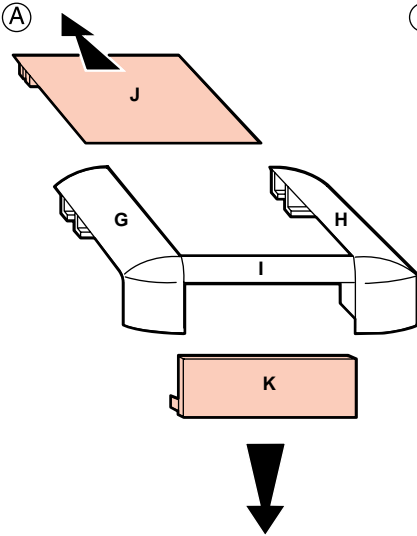
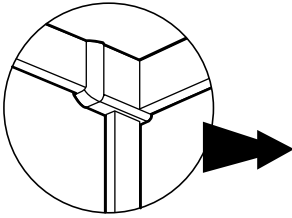


75 x 16 ✂ 19 mm
60 x 16 ✂ 19 mm

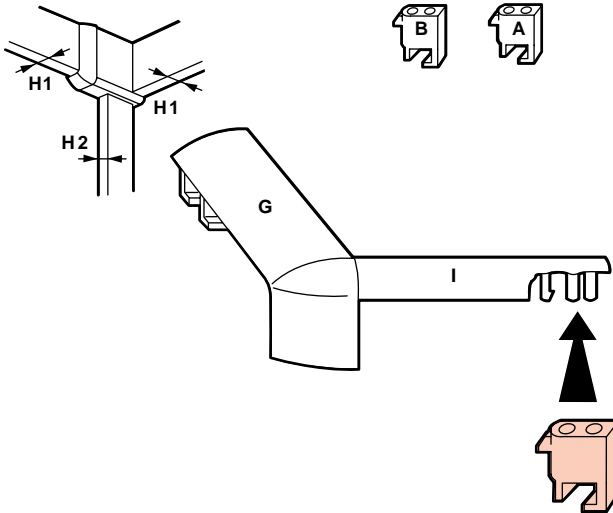
4



5



(C)

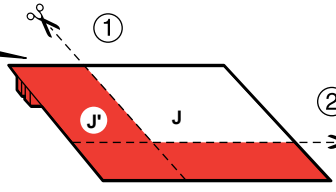


H1	H2	
16	16	A
	12,5	B

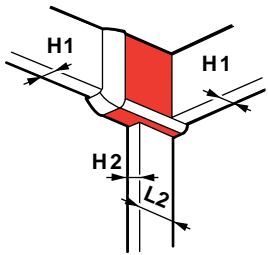
Ⓓ

60 x 16
75 x 16

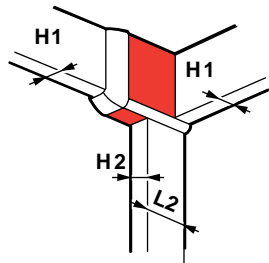
75 x 16 ✂ 19 mm
60 x 16 ✂ 19 mm



60 x 16 ✂ 15 mm



$H2 < H1$



$H2 = H1$

