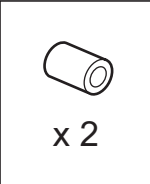
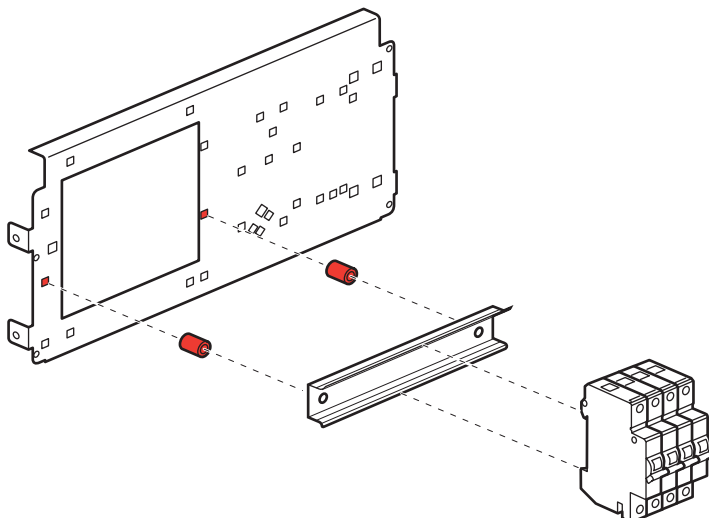
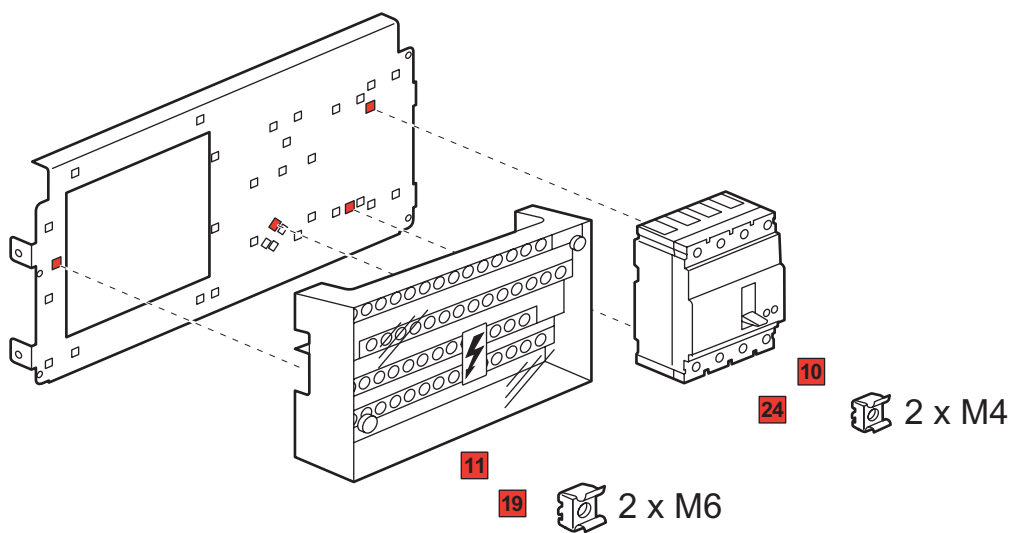


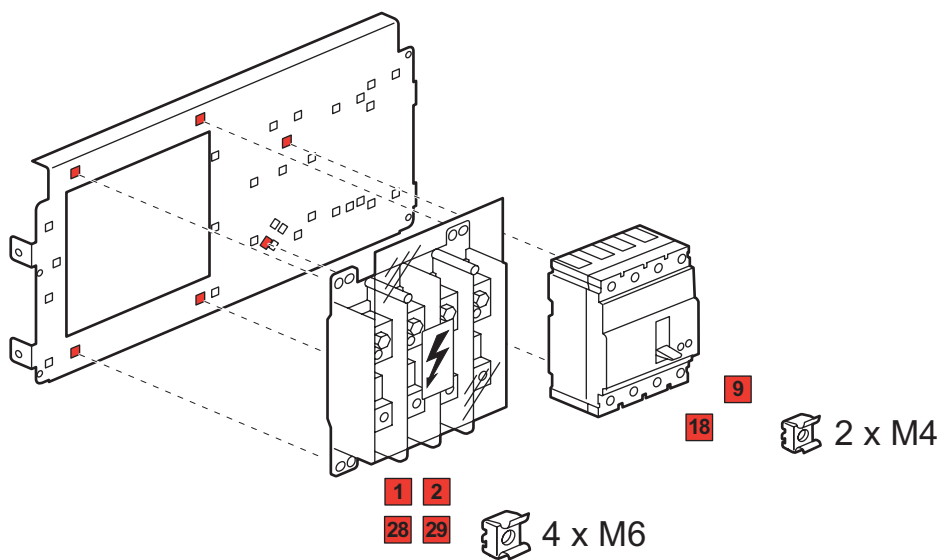
DX



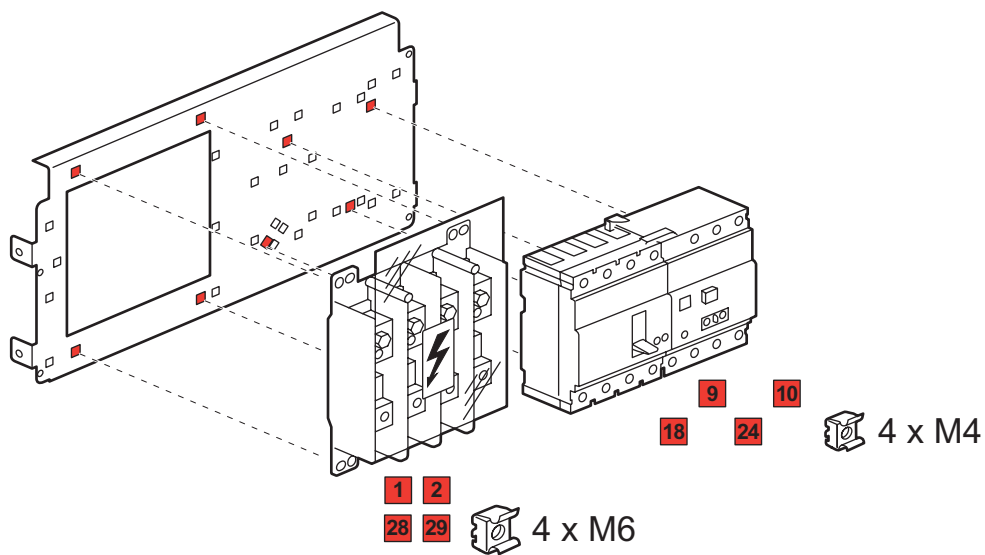
DPX 125 + 374 47



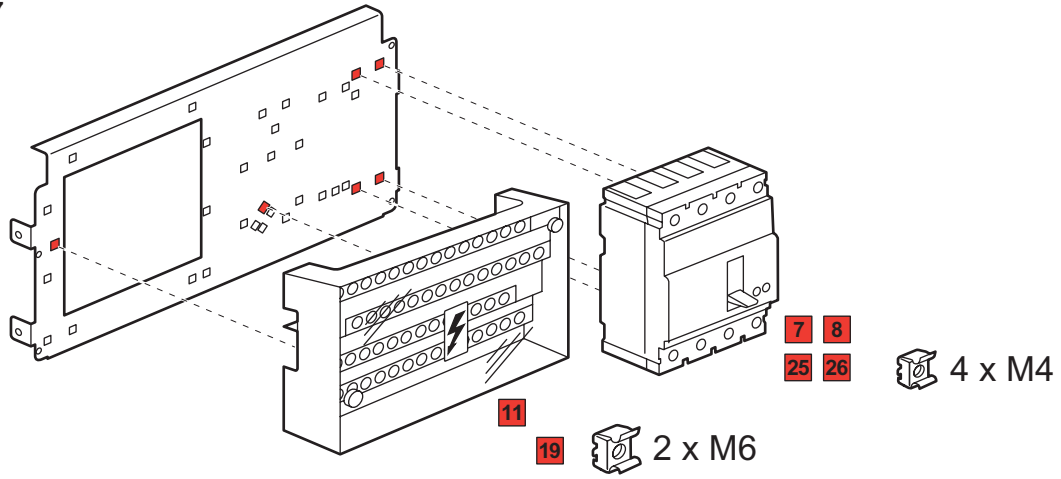
DPX 125 + 374 00



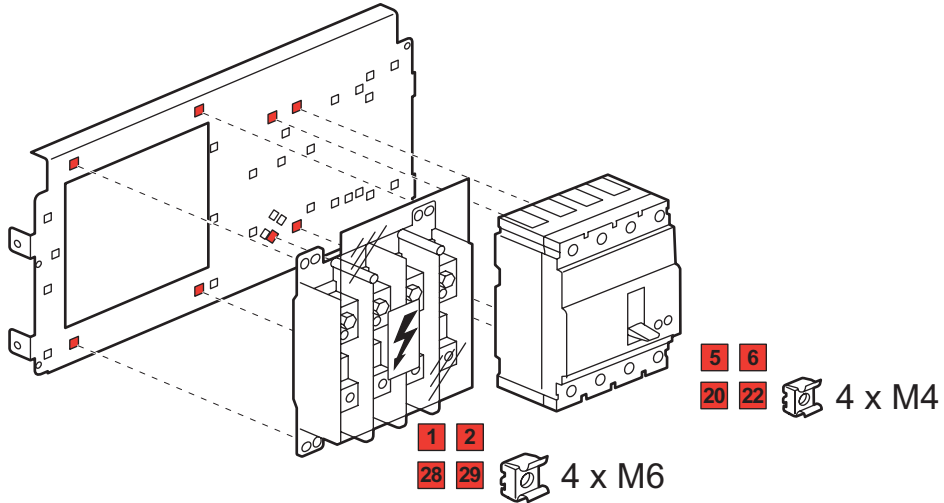
DPX 125 + DIF. + 374 00



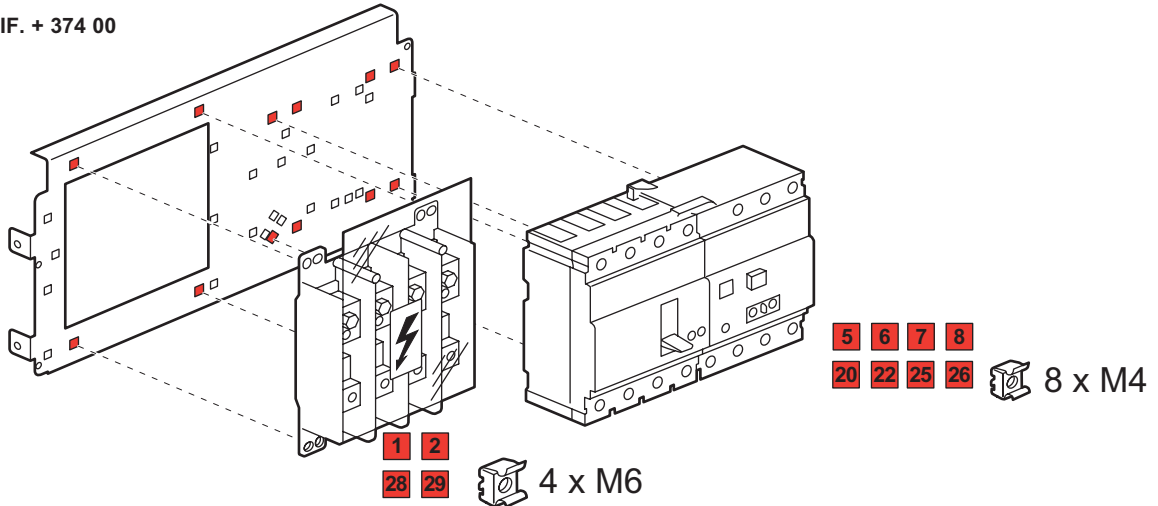
DPX 160 + 374 47



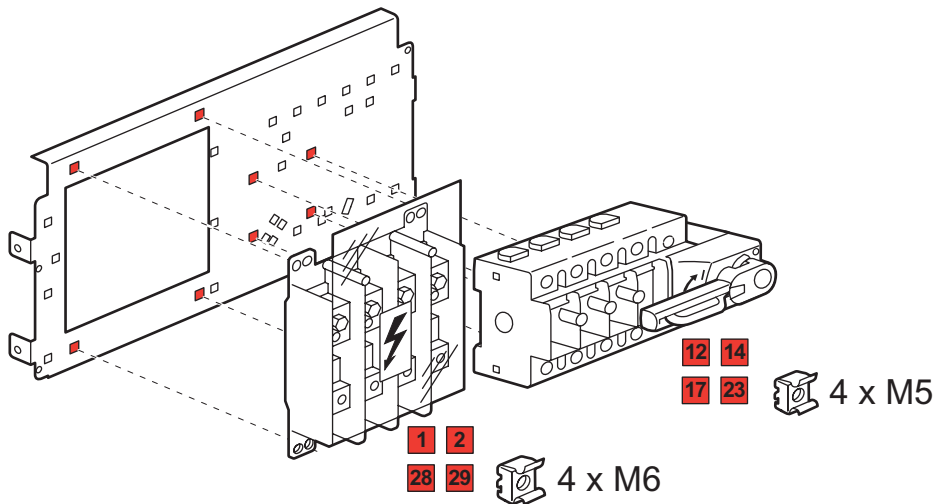
DPX 160 + 374 00



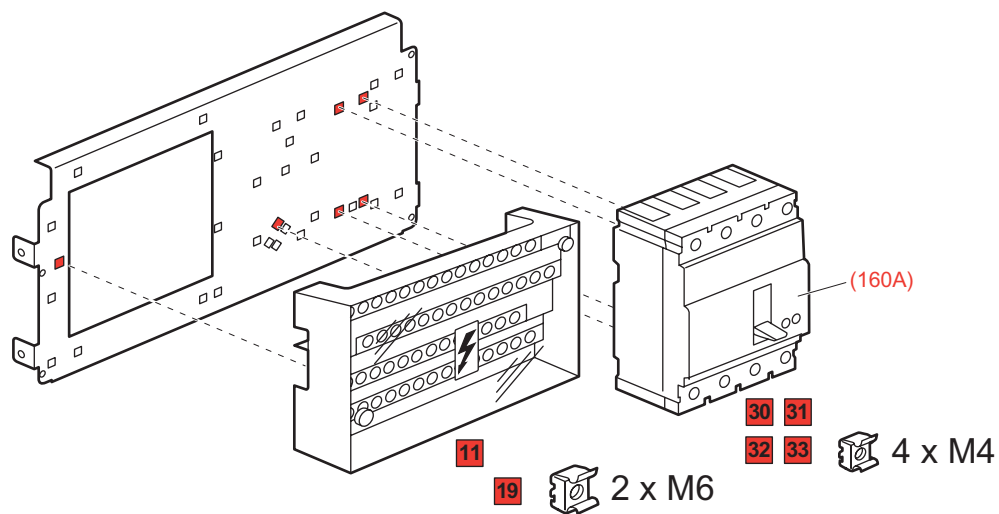
DPX 160 + DIF. + 374 00



VISTOP 160 + 374 00



DPX 250 ER ($\leq 160A$) + 374 47



DPX 250 ER ($\leq 160A$) + 374 00

