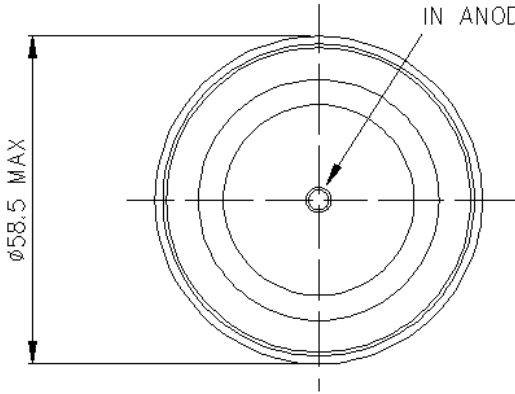
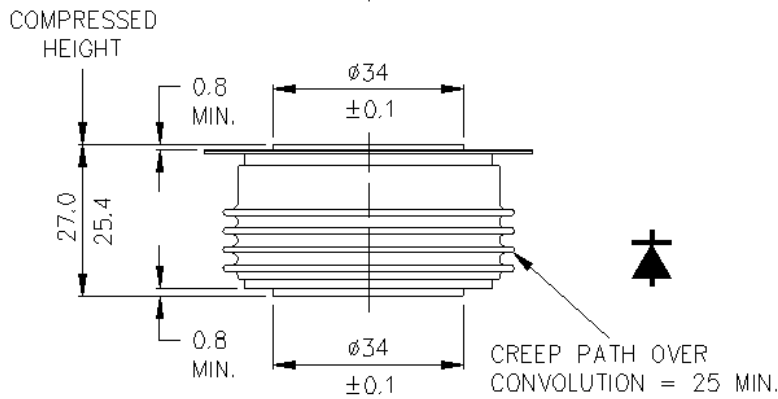




∅3.6/3.5x1.8 MIN.
DEPTH 2-HOLES, ONE
IN CATHODE AND ONE
IN ANODE.

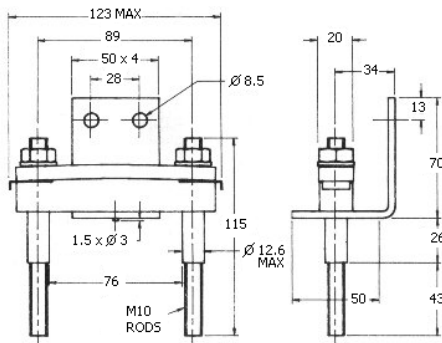


Weight 340g

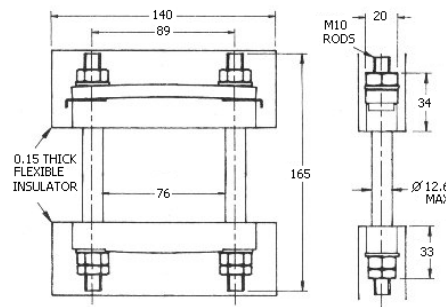


Device family	Clamp part number	clamp force	T _{JMAX}	Maximum allowed height	Outline
		kgf	°C	mm	
Rectifier Diodes (W), Fast Diodes (M), Extra Fast Diodes (F) LC Housing	XK1130SA076M	1130	190	69	WC14
	XK1130DA076M			86	WC15
	XK1130DT076M			103	WC16
	XSK1500Dx065M038	1500	190	38	WC58-WC60
	XSK1500Dx065M044			44	
	XSK1500Dx065M050			50	
	XSK1500Dx065M057			57	
	XSK1500Dx065M063			63	
	XSK1500Dx065M069			69	
	XSK1500Dx065M076			76	
	XSK1500Dx065M082			82	
	XSK1500Dx065M088			88	
	XSK1500Dx065M095			95	
	XSK1500Dx065M101			101	
	XSK1500Dx065M107			107	
	XSK1500Dx065M114			114	
	XSK1500Dx065M120			120	

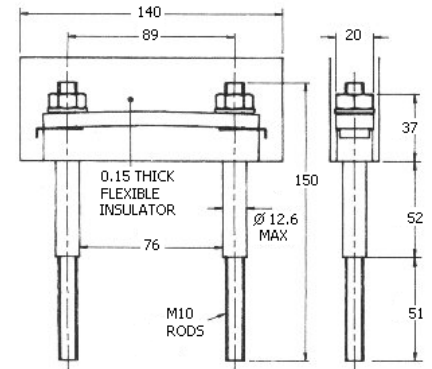
XK1130D/S



WC14 – SA Style

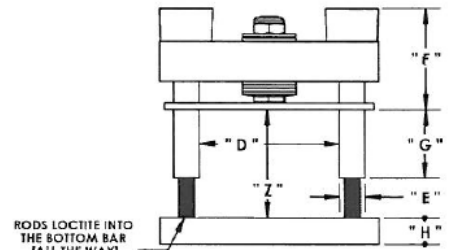
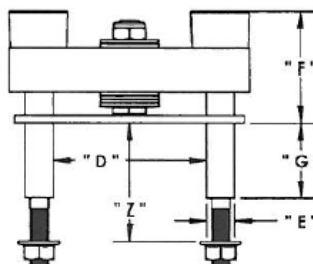
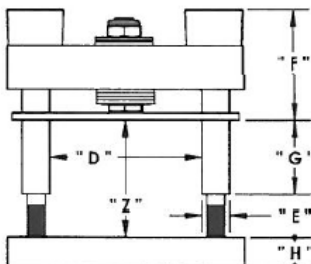
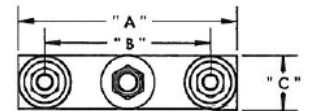
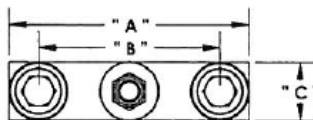
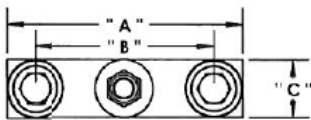


WC15 – DA Style



WC16 – DT Style

XSK1500Dx065



WC58 – DA Style

WC59 – DT Style

WC60 – DF Style

Dimensions (mm)

- A – 69.85
- B – 54.00
- C – 15.88
- D – 42.00
- H – 12.70

Force [kgf]	" E "	" F " (ref)	Bolt Type
500	12.19	42.14 [1.66]	M8
900	12.19	43.72 [1.72]	M8
1500	12.19	48.48 [1.91]	M8

Part #'s	" Z " min	" Z " max	" G " (ref)		
			00500	00900	01500
XSK xxxxx xx 065 M 038	31.75	38.10	19.81	20.57	25.65
XSK xxxxx xx 065 M 044	38.10	44.45	22.86	23.36	28.70
XSK xxxxx xx 065 M 050	44.45	50.80	25.90	26.41	32.76
XSK xxxxx xx 065 M 057	50.80	57.15	28.95	29.46	35.81
XSK xxxxx xx 065 M 063	57.15	63.50	31.75	33.52	38.60
XSK xxxxx xx 065 M 069	63.50	69.85	34.79	36.57	40.64
XSK xxxxx xx 065 M 076	69.85	76.20	36.83	38.35	43.68
XSK xxxxx xx 065 M 082	76.20	82.55	41.65	42.41	46.73
XSK xxxxx xx 065 M 088	82.55	88.90	43.94	45.46	49.78
XSK xxxxx xx 065 M 095	88.90	95.25	46.99	48.51	52.57
XSK xxxxx xx 065 M 101	95.25	101.60	49.78	51.56	55.62
XSK xxxxx xx 065 M 107	101.60	107.95	52.83	55.37	58.67
XSK xxxxx xx 065 M 114	107.95	114.30	55.88	56.38	61.72
XSK xxxxx xx 065 M 120	114.30	120.65	58.92	60.45	64.77