

MCE3 Relay Module



INSTALLATION INSTRUCTIONS

BEFORE INSTALLATION

1. Unpack MCE3 Relay Module (Relay Module). Check equipment and report any damage to Honeywell representative.
2. Obtain 1/8 in. (3 mm) wide flat blade screwdriver (maximum) for use with terminal blocks.

Important

The Relay Module mounts only on a DIN rail.

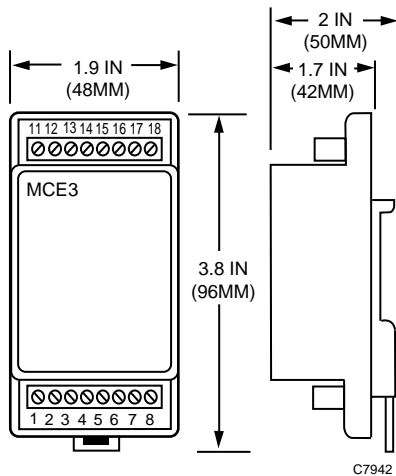


Fig. 1. MCE3 Relay Module Dimensions.

INSTALLATION

Mounting

1. Mount DIN rail.
2. Hook Relay Module on top edge of DIN rail. Insert flat blade of screwdriver into slot in black plastic tab on bottom of Relay Module. Use screwdriver as lever, moving handle upward.
3. Simultaneously push Relay Module onto DIN rail. When Relay Module engages DIN rail, remove screwdriver.

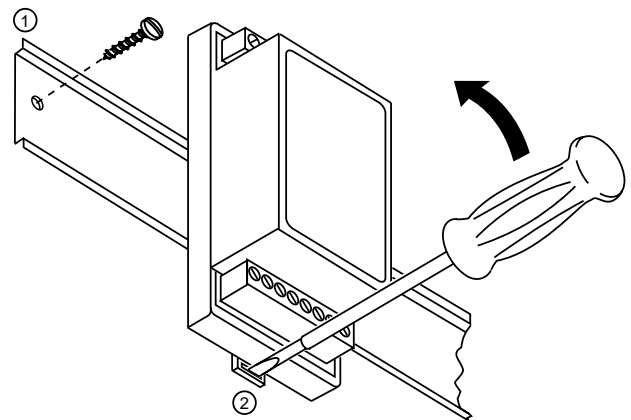


Fig. 2. Mounting MCE3 Relay Module.



Wiring

Figures 3 and 4 show typical wiring.

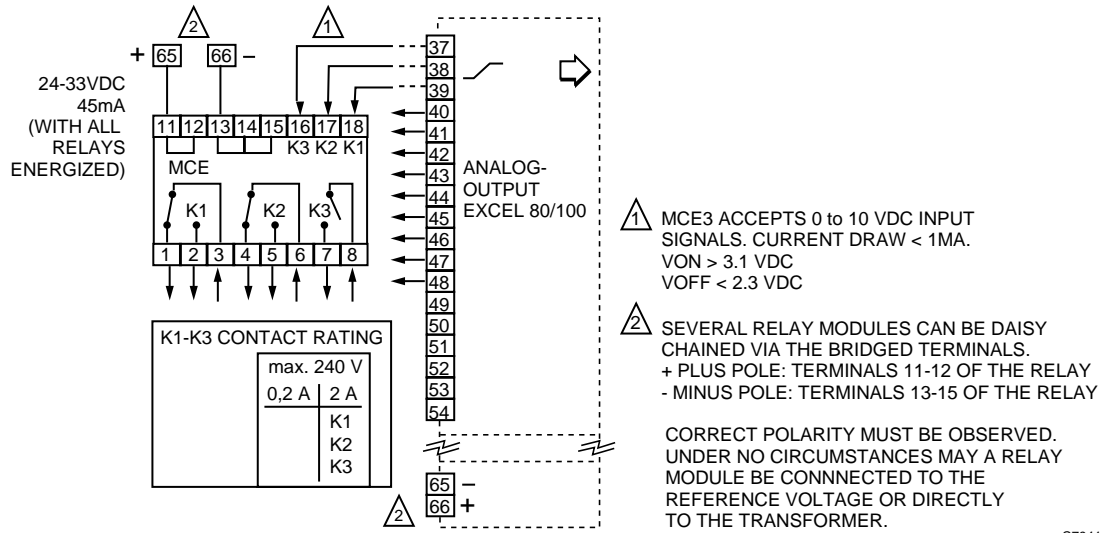


Fig. 3. Typical Wiring of MCE3 Relay Module to Excel 80/100.

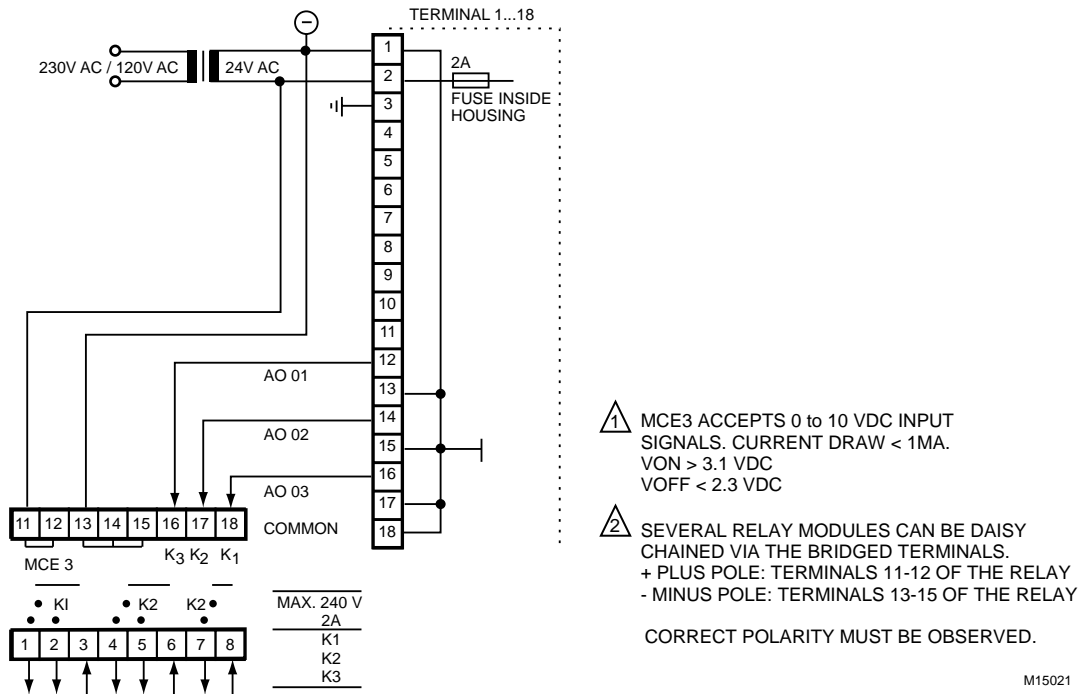


Fig. 4. Typical Wiring of MCE3 Relay Module to Excel 20.

Honeywell

Home and Building Control

Honeywell Inc.
Honeywell Plaza
P.O. Box 524
Minneapolis, MN 55408-0524

Home and Building Control

Honeywell Limited-Honeywell Limitée
155 Gordon Baker Road
North York, Ontario
M2H 2C9

Helping You Control Your World®