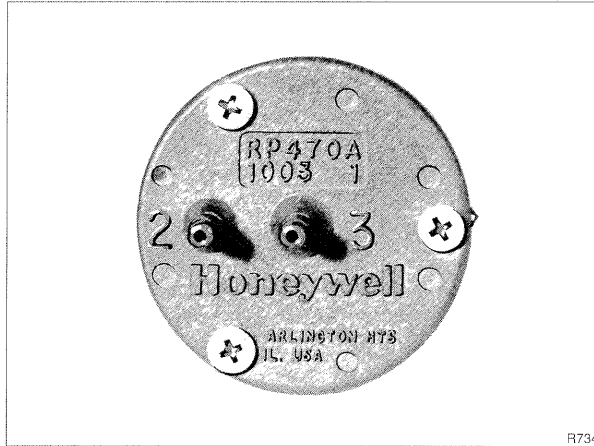


RP470A & B Pneumatic Selector Relays



General

RP470 A & B Pneumatic Selector Relays are used in HVAC systems to perform a variety of relay functions. The RP470A & B are three-port relays.

The RP470A transmits the higher of two input signals. The RP470B either locks out one pressure signal when a second signal is higher, or transmits the lower of two pressure signals, according to the application.

Features

- In-line, wall, or panel mounted
- Sharp-barb air connections
- Molded plastic construction

Description

RP470 A & B Pneumatic Selector Relays are used in HVAC systems to perform a variety of relay functions. The RP470A and B are three-port relays.

Specifications

Models:

- RP470A Higher-of-Two Pressures Relay
- RP470B Lockout Relay or Lower-of-Two Pressures Relay

Operating Range:

0 to 18 psi (0 to 125 kPa)

Maximum Safe Air Pressure:

30 psi (205 kPa)

Ambient Operating Limits:

Temperature: 0 to 140F (-18 to 60C)

Relative Humidity: 5 to 95%

Air Handling Capacity:

0.039 scfm at 1 psi differential (18 ml/s at 5 kPa differential)

Mounting:

In-line, wall, or panel mounted

Air Connections:

Barb type for 5/32-in. (4-mm) O.D. plastic tubing

Port Identifications:

RP470A:

Port 2—Branch output

Port 3—Pilot input A

Port 5—Pilot input B

RP470B:

Port 2—Signal input or branch output

Port 3—Branch output or vent

Port 5—Pilot input

Port Operation:

RP470A: Transmits higher of two input pressures at pilot input Ports 3 and 5 through outlet Port 2

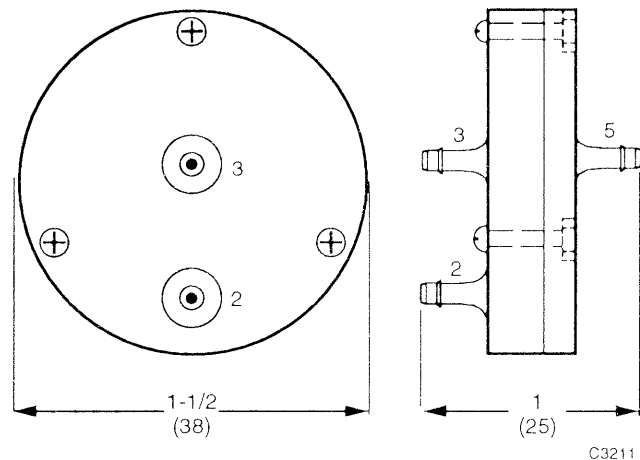
RP470B: In lockout application: When pressure at Port 2 is greater than pressure at Port 5, Relay passes signal at Port 2 to Port 3. When pressure at Port 5 is greater than pressure at Port 2, diaphragm closes Port 3

In lower-of-two-pressures application: Output signal from Filter Restrictor (between input signal and Port 2) equals the lowest input pressure received at Port 2 or Port 5. Output is a pilot signal, not a capacity signal. (Requires 0.007 Filter Restrictor 14002913-002 unless signal is already restricted, as in a one-pipe device input. For more information, see Pneumatic Relays and Switches Engineering Data 77-9384.)

Construction:

Molded plastic with neoprene diaphragm and stainless steel valve seat

Dimensions In Inches (Millimeters):



RP470A & B

Accessories:

- 1-1/2-in. Mounting Clip 14003030-001 for mounting Relay to wall or panel
- Cable Clamp 801629S for mounting Relay to wall or panel
- 0.007 Filter Restrictor 14002913-002 for use with RP470B in lower-of-two-pressures application

Honeywell

Helping You Control Your World

Home and Building Control

Honeywell Inc.
Honeywell Plaza
P.O. Box 524
Minneapolis, MN 55408-0524

Home and Building Control

Honeywell Limited-Honeywell Limitée
740 Ellesmere Road
Scarborough, Ontario
M1P 2V9