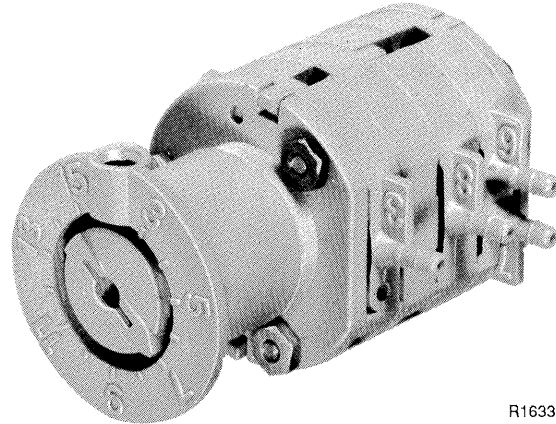


Honeywell

RP471A Pneumatic Snap Acting Relay



R1633

GENERAL

The RP471A is a four port, snap acting relay which converts a proportional air pressure change from a controller to a positive (two-position) pressure change to a pneumatic valve or damper operator. It can also divert a supply line to one of two branches.

Pilot pressure can be modulating; switch action is snap acting, two-position.

FEATURES

- Manually adjustable switching pressure
- Sharp barb connections for 5/32-inch (4 mm) O.D. plastic tubing
- Molded plastic construction with neoprene diaphragms and piano wire springs
- Surface or panel mounted

RP471A Pneumatic Snap Acting Relay

DESCRIPTION

The RP471A is a four port, snap acting relay which converts a proportional air pressure change from a controller to a positive (two-position) pressure change to a pneumatic valve or damper operator. It can also divert a supply line to one of two branches.

SPECIFICATIONS

Model:

RP471A: Snap acting pneumatic relay

Setpoint Range:

Adjustable, 3 to 15 psi (20 to 105 kPa)

Action:

SPDT, positive snap acting

Differential:

1 psi (10 kPa), nonadjustable, factory set

Maximum Safe Air Pressure:

30 psi (205 kPa)

Operating Pressure (Switch and Pilot):

0 to 18 psi (0 to 124 kPa)

Ambient Operating Limits

Temperature: 0 to 140F (-18 to 60C)

Humidity: 5 to 95%

Ambient Storage Limits:

Temperature: -30 to 150F (-34 to 66C)

Humidity: 5 to 95%

Knob Rotation:

300 degrees (from 3 to 15 psi on scale)

Mounting:

Surface or panel using 1-1/2 in. (38 mm) dia. metal spring clip (supplied) or in-line

Air Connections:

Sharp barb connections for 5/32-in. (4 mm) O.D. plastic tubing

Pilot:

Modulating pressure

Operation:

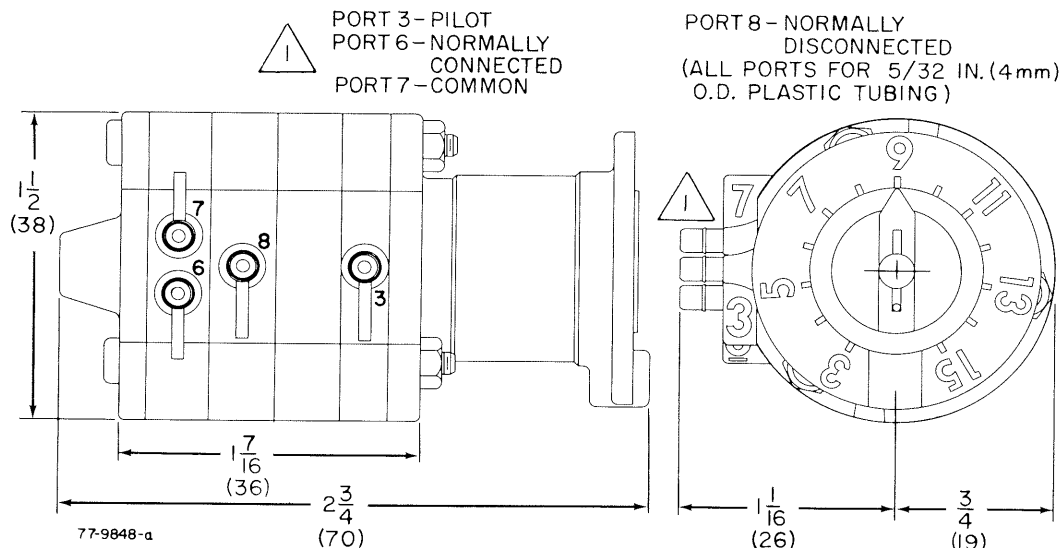
Makes 7 to 6 on pressure decrease to setpoint minus differential

Makes 7 to 8 on pressure increase to setpoint

Construction:

Molded plastic with neoprene diaphragms and piano wire springs

Dimensions:



Approximate Dimensions in Inches (Millimeters)

Honeywell

In the USA: Honeywell Plaza, Minneapolis, Minnesota 55408
In Canada: Scarborough, Ontario M1P 2V9
Subsidiaries and Affiliates Around the World

77-9848

Commercial Bldg Group
MLF TAB: II. C. 5.

Printed in USA

Rev. 7-87