

Reveal™

PRODUCT DATA

GENERAL

Reveal™ is an easy-to-operate and robust operator unit for the entire range of WEBS-AX and ComfortPoint (CP) supervisory Controllers.

Reveal's touch-panel operation screens allow for easy and self-explanatory operation by finger-tip.

User-configurable fast-access lists can contain selected data-points, time programs, and parameters, thus permitting plant-oriented and customer-oriented operation.

Reveal uses Honeywell's patent pending EZ-Nav™ technology to provide real-time status information on an easy-to-use, wall-mounted touch-screen LCD. Reveal has a 480 x 272, High Definition, 24-bit Full Color backlit LCD display. It is also available in a 16-level Extended Temperature gray-scale display. Both displays have a viewing area of 8 in² (51.6 cm²).

Reveal has customizable user screens, multi-language capability, and permission-based access control. With these features it provides site personnel the ability to quickly and conveniently access setpoint changes, local alarm data, and other system information.

This device can be configured through the WEBS or ComfortPoint (CP) workbench/supervisor using a software driver.

FEATURES

Multi Language capable Reveal is capable of supporting multiple languages though only English is supported for the first version.

Password protection Reveal provides password protection to all configured setpoints in the device.

Upgrade of installed systems Reveal can be used to easily upgrade existing controllers to touch-screen operation, because it can simply connect directly to existing WEBS-AX and CP supervisory controllers.

System-wide information access Once connected to a controller, Reveal allows access to information on all other controllers on the Niagara® Network.

Multiple Displays for a single Controller You can connect up to 4 Reveal displays to a single WEBS-AX or CP Controller and serve different information tailored for different users from the same system.

Protocol independent Reveal has access to any Niagara® Point on the controller, giving it system-wide access. Therefore, Reveal is not restricted to any protocol such as LON or BACnet.

Maintenance free Reveal is a solid-state product, without moving components like fan or hard-drive.

Network security Due to its embedded Microsoft Windows® CE operating system, which is loaded upon every power-up, Reveal is not prone to typical network security issues like viruses, Trojans, etc. Reveal is not web enabled.

Contents

General.....	1
Features	1
Specifications	2
Models and Part Numbers	3
Dimensions	3



SPECIFICATIONS

Communication Protocol

Reveal provides a proprietary serial protocol optimized for data traffic from the controller with CRC checking for data integrity.

Hardware Interfaces

- **RS-485** – Serial connection for the controller
- **USB** – single port, USB Host 2.0, full-speed, max. 12 Mb/s

Electrical

- Class-II device
- Input voltage range: 20 - 30 Vac, 50/60 Hz, 8 VA



CAUTION

Equipment Damage will result if incorrect power is connected.

Each Reveal display must have its own isolated, non-grounded, 24 Vac power source.

Touch Screen Display

- **Backlight:** Configurable auto-switch-off for the backlight
- **MTBF:** 50,000 hours
- **Color Display** High Definition:
LCD-CT043A100, Color TFT, QVGA, 24 bit, 480 x 272 pixels, Liquid Crystal Display (LCD).
The LCD color display is designed for use in a site manager's office and/or located throughout a site for departmental managers and facility maintenance personnel.
- **Grayscale Display** Extended Temperature:
LCD-GT043A100, Grayscale, 16 Level, 480 x 272 pixels.
The LCD gray-scale display is designed for use inside HVAC rooftop units, walk-in cold rooms, etc.

CPU

ARM9, 190 MHz

Operating System

Windows embedded C.E. 6.0

Memory

- 64 MB RAM
- 512 MB NAND Flash

Environmental

Operating Temperature Range:

- LCD-CT043A100 (Color):
14°F to 122°F (-10°C to 50°C)
- LCD-GT043A100 (Grayscale):
-4°F to 158°F (-20°C to 70°C)

Storage Temperature Range:

- LCD-CT043A100 (Color):
-13°F to 140°F (-25°C to 60°C)
- LCD-GT043A100 (Grayscale):
-22°F to 176°F (-30°C to 80°C)

Operating Relative Humidity

5% to 95% (non-condensing)

Mechanical

Physical Dimensions

See Fig. 1 on page 3.

Housing Material

PC+ABS housing plastic

Weight

0.7 lb. (0.32 kg)

Mounting

Direct wall mount or on a standard 2 x 4 in. electrical box

Local Language Support

English only is supported for the first release.

Password Protection

Password protection is provided for setpoints and certain device settings.

Warranty

Please refer to the *Reveal™ Software Installation and Programming User Guide* (form 62-0322).

ORDERING INFORMATION

When purchasing replacement and modernization products from your TRADELINE® wholesaler or distributor, refer to the TRADELINE® Catalog or price sheets for complete ordering number.

If you have additional questions, need further information, or would like to comment on our products or services, please write or phone:

1. Your local Honeywell Automation and Control Products Sales Office (check white pages of your phone directory).
2. Honeywell Customer Care
1885 Douglas Drive North
Minneapolis, Minnesota 55422-4386

In Canada—Honeywell Limited/Honeywell Limitée, 35 Dynamic Drive, Toronto, Ontario M1V 4Z9.

International Sales and Service Offices in all principal cities of the world. Manufacturing in Australia, Canada, Finland, France, Germany, Japan, Mexico, Netherlands, Spain, Taiwan, United Kingdom, U.S.A.

Standards and Certifications

- RF Emissions per FCC Part 15, Subpart B, Class A
- UL/CUL 916
- EN 61326 EMC requirements for CE Certification.
- AS/NZS CISPR 11- Mark for Australian and New Zealand C-Tick
- RF Emissions per Industry Canada Class A Limits

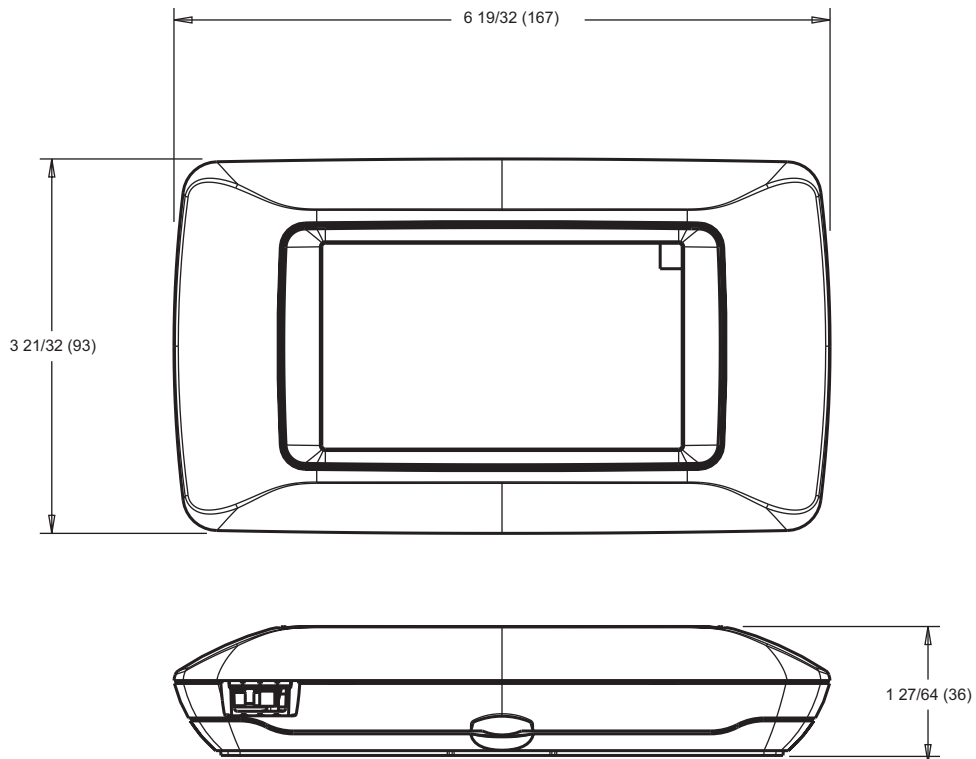
Models and Part Numbers

Table 1 provides the part numbers that should be used to order the necessary Honeywell parts.

Table 1. Part Numbers.

Product	Part Number
Reveal Color Display	LCD-CT043A100
Reveal Gray-Scale Display	LCD-GT043A100
Cover Plate Assembly	50028399-001
WIR-1010 Two-conductor shielded communications cable (Belden 8761 equivalent)	709001000

Dimensions



M28779

Fig. 1. Dimensions in inches (mm).

REVEAL™

*Reveal™ and EZ-Nav are trademarks of Honeywell International Inc.
Microsoft® and Windows® are registered trademarks of Microsoft Corporation.
Niagara® is a registered trademark of Tridium.*

Automation and Control Solutions

Honeywell International Inc.
1985 Douglas Drive North
Golden Valley, MN 55422

Honeywell Limited-Honeywell Limitée
35 Dynamic Drive
Toronto, Ontario M1V 4Z9
customer.honeywell.com

® U.S. Registered Trademark
© 2009 Honeywell International Inc.
74-5088—01 M.S. Rev. 12-09
Printed in U.S.A.

Honeywell