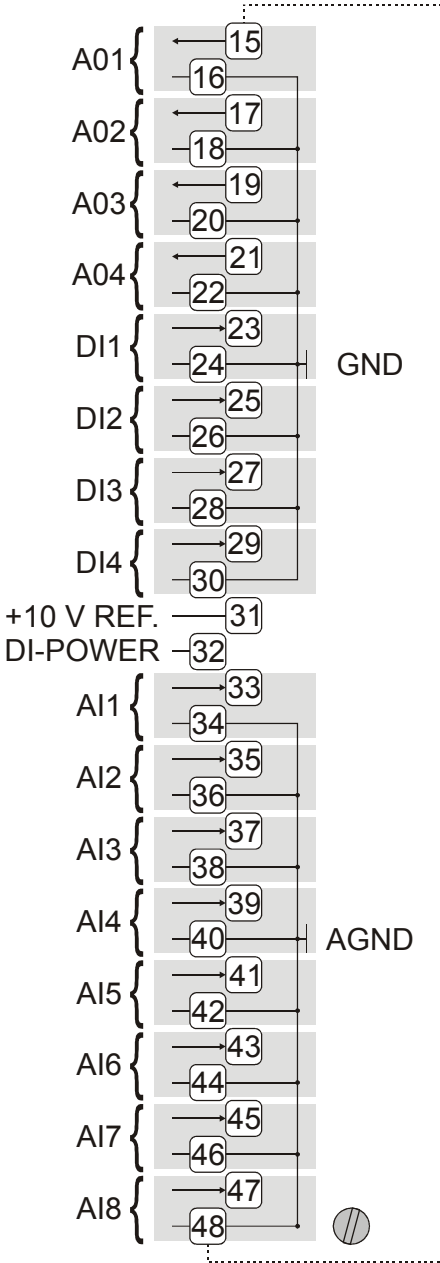
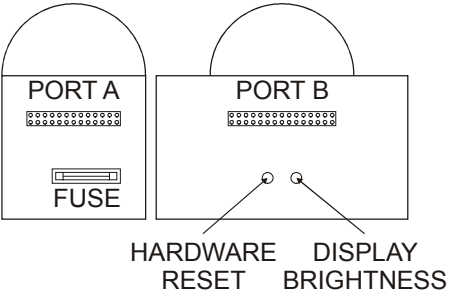
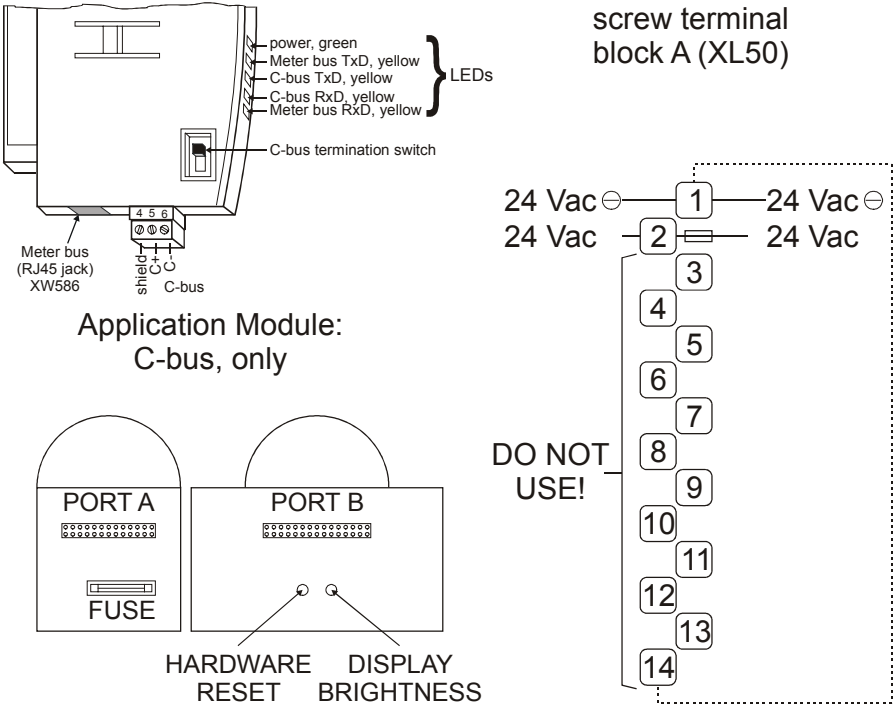
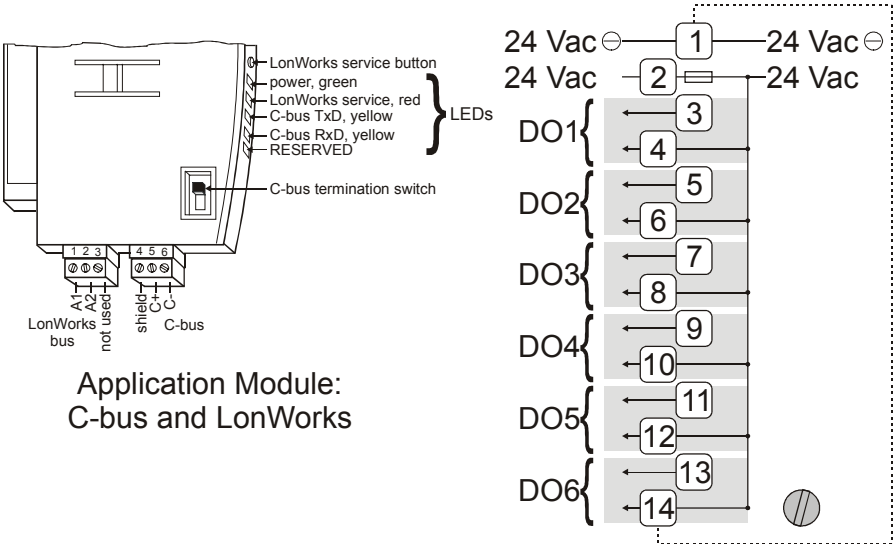


## XL50 and XCL5010



### WIRING / LED OVERVIEW



© U.S. Registered Trademark

Copyright © 2002 Honeywell Inc. • All Rights Reserved



EN1B-0135GE51 R0802

74-3667