

HE220, HE260 Humidifier and Installation Kit

INSTALLATION INSTRUCTIONS

WELCOME

To the comfortable world of humidified air. When you use your Honeywell humidifier, notice that your skin is not as dry, and that your scratchy throat and irritated nasal passages that aggravate allergies and asthma are steadily improving.

You have also taken the first step in reducing the *zapping* you create when you walk on your carpet and then touch your TV, computer, metal door knob or your pet. Your furniture and woodwork are also benefitting from the difference that humidified air makes.

Congratulations! You have just made a great investment in improving the comfort of your home.

APPLICATION

This kit contains your new Honeywell HE220 or HE260 Humidifier, H8908 Humidistat and all the accessories required for installation.

INSTALLATION

Preparing for the Installation

Be sure to identify all the required (Table 1) accessories (included) and make sure the appropriate tools are available before beginning the installation.


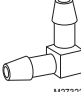
Required Accessories (Included)

Table 1. Required Accessories.

Quantity	Accessory (Item Quantity)
Humidifier Parts and Accessories	
3 ft (0.93m)	Bypass ducting including: 6 in. (155 mm) diameter flexible duct Starter collar Summer shut-off damper Duct tape
20 ft (6.2m)	18 gauge, two-strand thermostat wire
20 ft (6.2m)	1/4 in. (6.35 mm) OD feed water tubing
10 ft (3.1m)	1/2 in (12.7 mm) ID drain tubing
1 bag	Connecting and mounting hardware: Wire nuts (4) No. 8 sheet metal screws (18) Drain tube clamp Feed tube mounting clamps (6) Brass inserts (2) Plastic compression rings (2)
1	H8908 Humidistat
1 bag	Saddle Valve Assembly: Saddle valve and top clamp (1) Threaded bottom clamp (1) Bolts (2) Rubber gasket (1) Brass insert (1) Plastic bushing (1)



Table 1. Required Accessories. (Continued)

Quantity	Accessory (Item Quantity)
Air Pressure Switch and Accessories	
2	Black rubber gasket  M27302
2	Tubing Fitting Elbow  M27323
1	10 ft. Tubing, 1/4 in. ID
1	Air Pressure Switch (Fig. 10)
2	Screws, #8 x 3/4 in. sheet metal
2	Terminal Adaptor

Required Tools

Tools required for installation include:

- Tin snip.
- Screwdriver.
- Adjustable or open-end wrench.
- Drill, punch or awl.
- Level.
- 3/4-in. Sheet Metal Drill Bit

Determining Best Location for Humidifier

CAUTION

Temperature and Static Pressure Hazard. Can cause property or equipment damage. Locate humidifier where ambient temperature is between 32°F (0°C) and 160°F (71°C). Do not install humidifier where freezing temperatures could occur. Be sure supply plenum static pressure is no greater than 0.4 in. wc and water pressure is no greater than 124 psi.

- Select a location for the humidifier on the supply (warm air stream) plenum. See Fig. 1.
- Select a location that cannot damage the air conditioner A-coil during installation.
- Do not locate the humidifier on the furnace body.
- Allow adequate clearance in front of and above the humidifier so you can easily remove the cover to perform routine maintenance.
 - Mount the humidifier at least 3 in. (78 mm) above the furnace body to allow adequate space for the solenoid valve and drain line.

- Mount the humidifier in a conditioned space to prevent freezing.

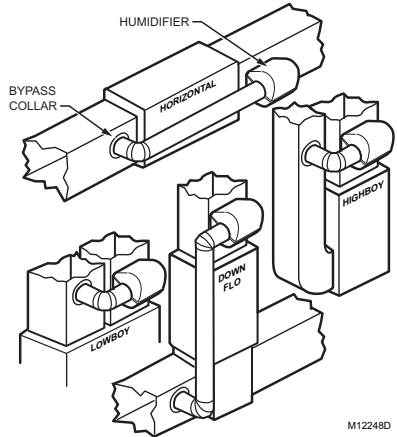


Fig. 1. Typical humidifier installation locations.

Selecting Water Supply Location

- Use either hard or soft water in the humidifier and either hot or cold water. The water flow rate, with the humidifier running, is 3.5 gal/hr (13 liters/hr) to flush the pad and provide moisture for evaporation.
- Make sure that the 20 ft (6.2m) of feed water tubing provided is adequate to connect the water supply (saddle valve) with the humidifier solenoid valve.

Locating Closest Floor Drain

- Select location with access to a floor drain to provide drainage for air conditioner condensation and humidifier drainage.
- If you do not have a drain available, we recommend that you install the Honeywell Whole House Drum or Disk Humidifier. Make sure that the 10 ft (3.1m) of drain tubing is adequate to reach from the humidifier drain connection to the floor drain.

Selecting Location for Humidistat

- Select a location for the humidistat on the return plenum or on the wall in the living space.
 - Mounting on the return plenum is the easiest installation for the control wiring circuit.

For return duct mounting, the humidistat should be mounted upstream from the humidifier or bypass so that it is properly sensing the relative humidity of the living space. Locate the control at least 8 in. (203 mm) upstream from the humidifier in the return air duct. (See Fig. 2.)

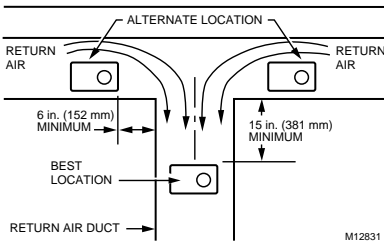


Fig. 2. Selecting duct location for humidistat.

Locating Closest 120V Electrical Outlet

- Select location with access to an outlet. If not available, contact an electrician to have one installed.
- Make sure that the humidifier cord is adequate to reach from the humidifier to the outlet.
- Make sure that the 20 ft (6.2m) of thermostat wire is adequate to reach from the humidifier solenoid, to the sail switch, to the humidistat.

Installing the Humidifier

⚠ WARNING

Hazardous Voltage
Can cause personal injury or equipment damage.
Do not cut or drill into any air conditioning or electrical accessory.

⚠ CAUTION

Sharp Edges Installation Hazard.
Can cause personal injury.
Wear gloves and safety glasses.

1. Turn off power to the air handling system at the circuit breaker.
2. Draw a level line on the plenum in the location chosen for the humidifier. (Leveling assures optimal humidifier performance.)
3. **Locate the template (form number 69-1650 included in the box). For the HE220 model, cut out the template along the dotted line.**
4. **Tape the template in position and trace around the template.**
5. **Remove the template and carefully cut the rectangular opening.**
6. Disassemble the humidifier; remove the cover and take out the humidifier pad assembly. See Fig. 3.

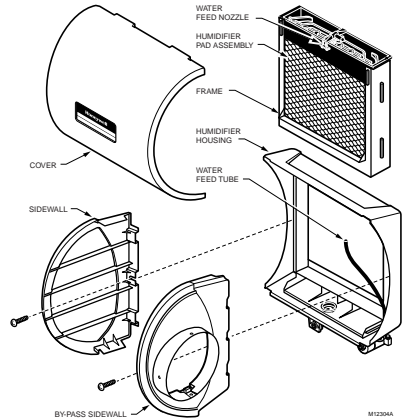


Fig. 3. Disassembling humidifier.

7. Make sure the humidifier housing is level, then position it in the opening so the plastic tabs are in place on the *lower sheet metal edge* of the opening. Use pliers, as necessary, to flatten cut edges. See Fig. 4.
8. Secure the humidifier housing to the opening at the top and bottom using sheet metal screws.

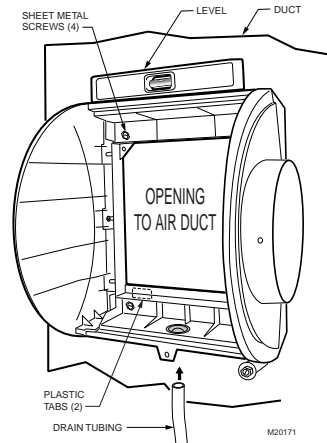


Fig. 4. Installing humidifier on duct.

9. Use the 6 in. (155 mm) starter collar as a template to mark the opening for the bypass.
10. Carefully cut the opening for a 6 in. (155 mm) starter collar. See Fig. 5. Use a drill, punch or awl to start the cut in the middle of the circle. Cut in an outward spiral to assist in controlling the cut.

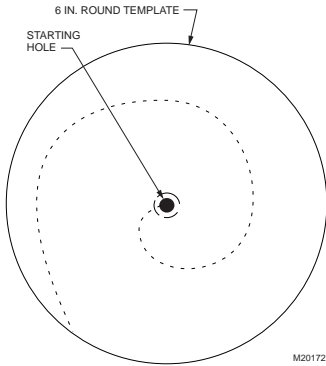


Fig. 5. Cutting bypass opening.

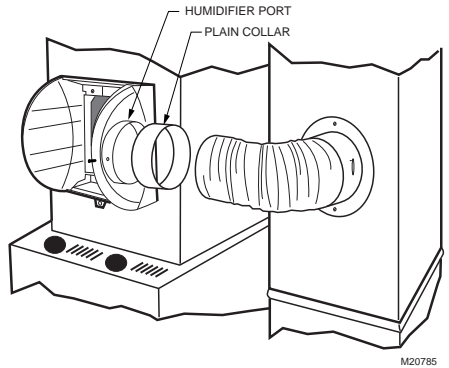


Fig. 7. Connecting bypass ducting.

11. Assemble the summer shutoff damper into the starter collar. Verify that the damper rotates freely between the open and closed positions. Make sure the handle is accessible. Mark the damper Closed position as Summer and the Open position as Winter. See Fig. 6.

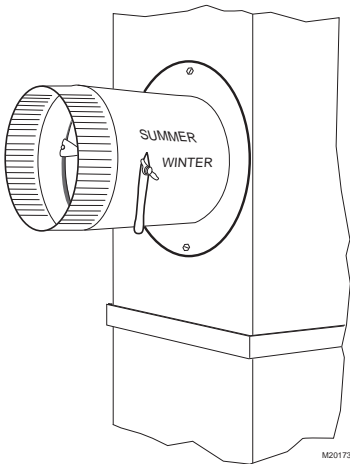


Fig. 6. Installing the starter collar.

12. Remove liner to expose foam adhesive. Position starter collar over opening.
13. Slide one end of the flexible ducting over the starter collar and secure with one of the connecting straps.
14. Insert the plain collar into the humidifier port and secure with sheet metal screws. Connect the flexible ducting over the collar and secure with a connecting strap. See Fig. 7.

15. Seal the duct connections with duct tape (not included).
16. Reinstall the humidifier pad assembly in the humidifier housing.
17. Hinge the cover in place and secure with the thumb-screw located at the bottom of the cover.

Connecting the Plumbing

1. Shut off the water.



CAUTION

Chemical Hazard.
Can cause personal injury or equipment damage.

Do not use any line connected to an air conditioner.

Do not use gas line.

2. First, connect 1/4-in. line to the humidifier's solenoid valve, located at the bottom of the humidifier.
 - a. Remove the compression nut.
 - b. Discard the brass ring, replacing it with the plastic ring.
 - c. Install the brass insert into the end of the tubing.
 - d. Insert the tubing into the solenoid valve fitting and support the valve while tightening the compression nut.

NOTE: Do not over-tighten the compression nut. Moderate tightness prevents leaking.

3. Use the saddle valve (included) to tap into the water supply line at the location selected. See Fig. 8. If tapping into galvanized pipe, drain line and pre-drill 3/17-in. tap for saddle valve.

NOTE: The saddle valve is not designed to regulate water flow. The valve is either open or closed.

IMPORTANT

To prevent debris from clogging the solenoid in-line filter, be sure to install the saddle valve handle pointing toward the ceiling.

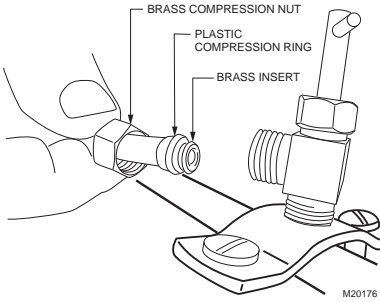


Fig. 8. Installing feed tubing.

4. Use 1/4-in. (6mm) OD tubing and connect the saddle valve to the inlet side of the solenoid valve on the humidifier (See Fig. 9).
5. Repeat step 2, a - d for saddle valve fitting.

NOTE: Cut tubing to correct length so the tubing terminates at the drain.

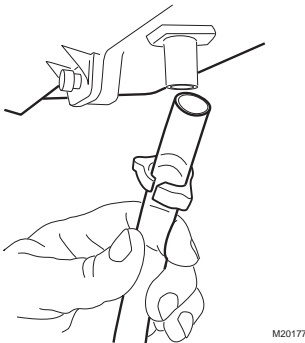


Fig. 9. Installing the drain tubing.

Air Pressure Switch Installation

IMPORTANT

Do not install the switch in an area where temperature exceeds rating of -40F to 190F (-40C to 88C)

1. Disconnect power from the humidifier before installing.
2. Mount the switch vertically with pressure connectors facing down, using provided self-tapping screws to secure the switch to the duct.

IMPORTANT

Calibration accuracy requires that the switch be mounted vertically (as pictured in Fig. 10).

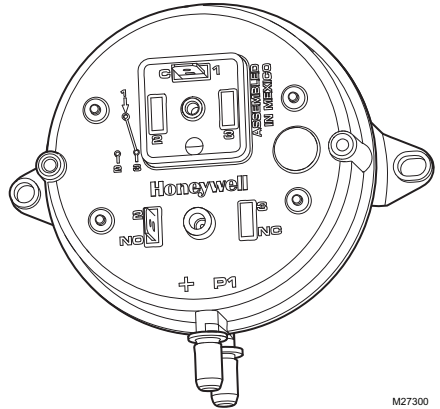
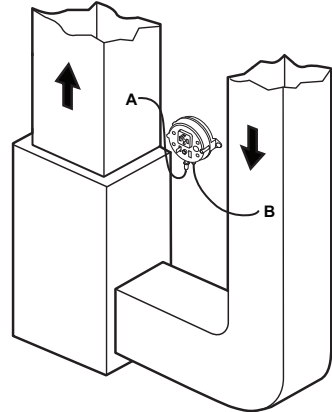


Fig. 10. Pressure switch—oriented vertically.

3. The return duct is recommended, however the switch can also be mounted to the supply duct.



SUPPLY DUCT INSTALL - AIR LINE ONLY TO TAP A, CONNECTED TO THE + PORT ON THE AIR FLOW SWITCH

RETURN DUCT INSTALL - AIR LINE ONLY TO TAP B, CONNECTED TO THE - PORT ON THE AIR FLOW SWITCH

SUPPLY/RETURN DUCT INSTALL - AIR LINE CONNECTED TO BOTH THE + AND - PORTS ON THE AIR FLOW SWITCH

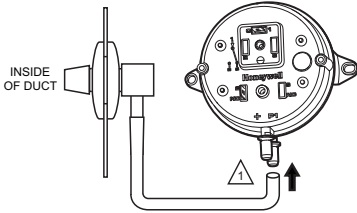
M27303

Fig. 11. Mounting the pressure switch.

4. Cut a 3/4-in. diameter hole in the duct within 10 feet of the switch to ensure the provided tubing reaches the pressure tap elbow.
5. Insert the black rubber gasket into the duct hole.
6. Connect the tubing to the tubing fitting elbow and insert the tubing fitting elbow into the black rubber gasket.
7. Connect the other end of the tubing to the applicable pressure connection on the switch.
 - e. Black connection if installed on the supply
 - f. Grey connection if installed on the return
 - g. Both grey and black if installed on both

IMPORTANT

With low-speed airflow or variable speed systems it is recommended to run tubing to both the supply and return ducts.



⚠ CONNECT TUBING TO + CONNECTION IF PRESSURE TAP IS MOUNTED TO SUPPLY DUCT. CONNECT TO - IF PRESSURE TAP IS MOUNTED TO RETURN DUCT. M27304

Fig. 12. Install tubing.

8. You may cut the tubing to fit the connection length between the elbow fitting and switch. It is also recommended to secure the hose to existing structures to avoid accidental disconnection.

Installing the Humidistat

Installing on Mounting Duct

1. Apply the template to the duct location chosen for the humidistat. Make sure the template is level before drilling the holes.
2. Refer to the template (provided with the H8908 Humidistat Installation Instructions) to drill the control assembly opening and mounting holes for the H8908.
3. Remove the H8908 case from the base.
4. Position the foam gasket on the H8908 base.
5. Position the base on the duct with the arrow up.
6. Secure the base to the duct using the four 1 in. (25 mm) mounting screws provided with humidistat.
7. Connect the low-voltage wires to the leads and replace the H8908 case. See Fig. 14.

NOTE: For wall mounting instructions, see the H8908 Installation Instructions.

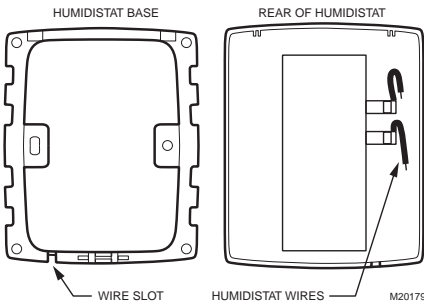


Fig. 13. Humidistat base and rear view.

WIRING

⚠ CAUTION

Hazardous Voltage. Can cause personal injury or equipment damage.
Disconnect power supply before installing or servicing equipment.

IMPORTANT

All wiring must comply with applicable local code, ordinances and regulations.

Wire the humidifier solenoid valve, pressure switch, humidistat and transformer. See Fig. 15.

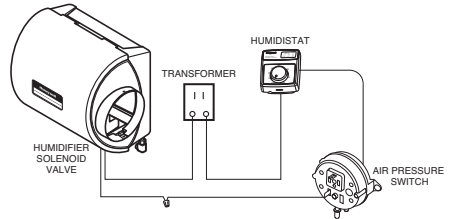


Fig. 14. Wiring the controls.

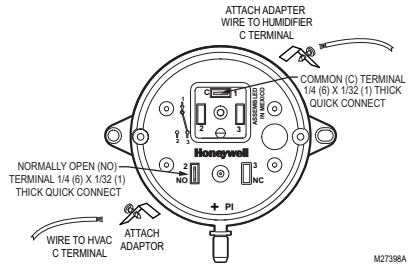


Fig. 15. Close-up of pressure switch wiring.

1. Run the two-strand thermostat wire from the humidifier to the humidistat, and from the humidistat to the pressure switch and back to complete the wiring loop to the humidifier. This is illustrated in Fig. 14.
2. Cut lengths of thermostat wire to reach between components, leaving adequate wire at both ends for connections.

NOTE: Humidistat and pressure switch can be wired in any order.

3. At the humidifier, connect the black and white conductors to the two black humidifier wires.
4. At the transformer, connect both black conductors to the two transformer terminals. Use a wire nut to connect together the two white conductors.

- At the humidistat, connect both black conductors to the two humidistat terminals. Use a wire nut to connect together the two white conductors.

Humidified air feels warmer and more comfortable so you may be able to lower your thermostat heating setpoint, which saves money on your heating fuel bills. The end result is that your humidifier gives you a comfortable environment that is also energy efficient.

TESTING HUMIDIFIER OPERATION

Checklist

- Humidifier is level.
- Control wiring was reviewed using circuit diagram.
- Humidifier is plugged in.
- Feed line has no kinks.
- Drain line slopes continuously down and ends at floor drain.
- Water hose inside humidifier is connected to PerfectFlow™ water distribution tray.

After installation use the following steps to check the humidifier operation:

- Turn on the power and the water supply
- Turn the H8908 Humidistat to On and turn on the heat by setting the thermostat to 10°F (6°C) above room temperature.

IMPORTANT

The furnace blower must be on to activate the humidifier.

- Make sure that water is flowing out of the drain hose. If water does not flow, see Troubleshooting Your Humidifier section.
- Check for leaks.
- Reset the thermostat and H8908 Humidistat to a comfortable setting for automatic operation.

OPERATION

How Your Humidifier Works

Your Honeywell humidifier uses the principle that vapor (evaporated water) is created when warm air blows over a water-soaked area. As the vapor circulates, the relative humidity rises.

Your humidity control monitors the relative humidity and activates the humidifier accordingly. The humidifier has a water supply that dispenses water evenly over a humidifier pad. The warm dry air, from the furnace, passes over the humidifier pad and picks up the moist air to circulate it throughout your home.

Controlling Your Humidity Settings

Your H8908 Humidistat controls your humidifier.

- Choose the humidity control setting using the combination of relative humidity/outdoor temperature setting scale on your humidity control dial.
- Match the dial setting to the outdoor temperature to optimize the humidity level while reducing the moisture condensation on your windows. See Table 2 to adjust the humidity control to the recommended setting.

NOTE: As the outside temperature drops, a lower humidity setting is recommended to accommodate dewpoint effects. These settings should reduce the accumulation of moisture and ice on windows and other areas of the home.

- Adjust the humidity control setting to adjust for indoor activities such as cooking, showering and clothes drying, which can cause excessive levels of humidity that can accumulate moisture on your windows.

NOTE: If these activities persist for more than a few hours, set the humidity control to the lowest setting to turn off the humidifier. If the condition does not improve, ventilate your home to remove the moisture.

Table 2. Setting Your Humidistat.

When Outside Temperature is:	Use This Control Setting:
-20°F (-29°C)	15
-10°F (-23°C)	20
0°F (-18°C)	25
+10°F (-12°C)	30
+20°F (-7°C)	35
Above 20°F (-7°C)	40

MAINTAINING YOUR HUMIDIFIER

A regular maintenance program prolongs the life of your humidifier and makes your home more comfortable. The frequency of cleaning depends on the condition of your water.

You can use either hard or soft water in your humidifier, but hard water mineral deposits are more difficult to clean than soft water deposits.

Use the following procedure to clean your Honeywell humidifier.

! WARNING

Serious Personal Injury Hazard.
Can cause electrical shock and injury from moving parts.

Disconnect power and shut off water supply before removing cover.

IMPORTANT

Never oil any part of the humidifier.

Every 1 to 3 Months (Depending on Water Quality)

1. Disconnect the power and turn off the humidifier water supply.
2. Remove the humidifier cover. See Fig. 16.
3. Remove the humidifier pad assembly from the humidifier by grasping the top of the tray and pulling it toward you.
4. Pull one side of the humidifier pad assembly frame toward you and remove the tray from the frame.
5. Gently pinch the water nozzle catches inward until you can lift the water nozzle off the tray.
6. Slide the humidifier pad out of the frame.
7. Carefully remove any mineral deposits from the tray and frame. Be sure the frame drain hole has nothing blocking it.
8. Disconnect the drain hose from the drain fitting on the bottom of the humidifier housing.
9. Clean the drain fitting, if necessary.
10. Bend the drain hose to loosen any mineral deposits.
11. Flush the drain hose with pressurized water (a running tap) to clean the hose.
12. Reattach the drain hose to the drain fitting.
13. Slide the humidifier pad back into the frame.
14. Snap the water nozzle back on the tray.
15. Reattach the tray to the frame.
16. Place the humidifier pad assembly in the humidifier housing and press until the assembly is completely seated. Be careful not to pinch or kink the water feed tube.
17. Replace the humidifier cover.
18. Verify the humidifier operation by following the steps in the Checking Your Humidifier for Correct Operation section.

End of Humidification Season

- Clean the humidifier and shut it off at the end of the heating season.
- Use Every 1 to 3 Months section steps to shut down for the season.

IMPORTANT

Be sure the humidifier power is off.

Vacation

- When leaving on vacation, turn off the humidifier water supply and your humidistat.
- When you return, turn on the humidifier water supply and reset your humidistat.

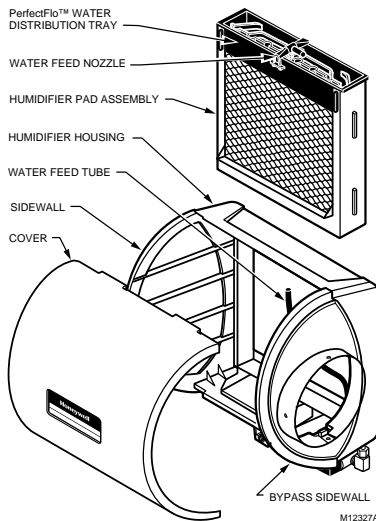


Fig. 16. Cleaning your humidifier.

CHECKING YOUR HUMIDIFIER FOR CORRECT OPERATION

After winter startup or servicing, use the following steps to check your humidifier operation:

1. Turn on the humidifier power and water supply.
2. Turn the humidistat to its highest setting and set the thermostat to 10°F (6°C) above the room temperature.
3. Observe that water is flowing out of the drain hose.

NOTE: The furnace blower must be running to activate the humidifier.

4. Reset the thermostat and humidistat to a comfortable setting for automatic operation.

TROUBLESHOOTING YOUR HUMIDIFIER

Table 3. Troubleshooting Humidifier.

Problem	What to look for	What to do
Water leakage	Leaking joints.	Shut off water. Tighten connections.
	Brass tubing inserts	Verify that brass tubing inserts are used.
	Saddle valve leaking.	Verify rubber pad is installed on saddle valve.
No water to drain.	Electrical	Verify control circuit wiring. Check all connections.
	Humidistat	Turn humidistat up and down and listen for contact to click.
	Humidifier power	Verify that outlet has power.
	Solenoid	After verifying other wiring components, turn on furnace fan, turn humidistat up and down, and listen for solenoid to click.
	Plumbing	Verify plumbing connections. Check for kinks.
	Saddle valve	Verify that needle pierces water line and then backs out needle to open valve.
	Humidifier	Remove cover and verify that water flows into distribution tray.
	Drain tubing	Verify no obstructions.
Air leakage	Check duct joints	Seal with duct tape.
Low humidity	Furnace blower not operating.	<ul style="list-style-type: none"> • Reset circuit breaker or check for blown fuse. • Check that the furnace power is on. • Check all external wiring connections. • Check the humidity control setting. • Call a professional heating contractor.
	Rapid air changes. Drafts (cold air is dry and is an added load to the humidifier).	<ul style="list-style-type: none"> • Keep doors and windows closed. • Close fireplace damper when not in use. • Keep exhaust fan running time to a minimum. • Seal around doors and windows.
High humidity	Condensation on walls.	<ul style="list-style-type: none"> • Turn off humidity control and water until condensation is completely evaporated.
	Heavy condensation on windows.	<ul style="list-style-type: none"> • Turn humidity control down low enough to eliminate condensation caused by moisture from bathing, mopping, cooking, etc. If moisture persists, more ventilation is needed.

LIMITED ONE-YEAR WARRANTY

Honeywell warrants this product, excluding humidifier pad, to be free from defects in the workmanship or materials, under normal use and service, for a period of one (1) year from the date of purchase by the consumer. If, at any time during the warranty period, the product is defective or malfunctions, Honeywell shall repair or replace it (at Honeywell's option) within a reasonable period of time.

If the product is defective, return it, with a bill of sale or other dated proof of purchase, to the retailer where you purchased it.

This warranty does not cover removal or reinstallation costs. This warranty shall not apply if it is shown by Honeywell that the defect or malfunction was caused by damage which occurred while the product was in the possession of a consumer.

Honeywell's sole responsibility shall be to repair or replace the product within the terms stated above. HONEYWELL SHALL NOT BE LIABLE FOR ANY LOSS OR DAMAGE OF ANY KIND, INCLUDING ANY INCIDENTAL OR CONSEQUENTIAL DAMAGES RESULTING, DIRECTLY OR INDIRECTLY, FROM ANY BREACH OF ANY WARRANTY, EXPRESS OR IMPLIED, OR ANY OTHER FAILURE OF THIS PRODUCT. Some states do not allow the exclusion or limitation of incidental or consequential damages, so this limitation may not apply to you.

THIS WARRANTY IS THE ONLY EXPRESS WARRANTY HONEYWELL MAKES ON THIS PRODUCT. THE DURATION OF ANY IMPLIED WARRANTIES, INCLUDING THE WARRANTIES OF MERCHANTABILITY AND FITNESS FOR A PARTICULAR PURPOSE, IS HEREBY LIMITED TO THE ONE YEAR DURATION OF THIS WARRANTY. Some states do not allow limitations on how long an implied warranty lasts, so the above limitation may not apply to you.

This warranty gives you specific legal rights, and you may have other rights which vary from state to state.

If you have any questions concerning this warranty, please write to Honeywell Customer Care, 1885 Douglas Drive, Minneapolis, MN55422. In Canada, write Retail Products ON15-02H, Honeywell Limited/Honeywell Limitée, 35 Dynamic Drive, Scarborough, Ontario M1V 4Z9.

Automation and Control Solutions

Honeywell International Inc.
1985 Douglas Drive North
Golden Valley, MN 55422

Honeywell Limited-Honeywell Limitée
35 Dynamic Drive
Toronto, Ontario M1V 4Z9
customer.honeywell.com

Honeywell

© U.S. Registered Trademark
© 2010 Honeywell International Inc.
69-2516EF—01 M.S. Rev. 11-10
Printed in U.S.A.

Humidificateurs HE220 et HE260 et trousse d'installation

NOTICE D'INSTALLATION

BIENVENUE...

dans un environnement tout confort, où l'air est humidifié. Avec votre humidificateur Honeywell, vous constaterez que votre peau sera moins sèche. Vous remarquerez aussi, de jour en jour, une diminution de l'irritation de votre gorge et de vos voies nasales causée par les allergies et l'asthme.

Vous venez de faire le premier pas pour éliminer le phénomène de décharge électrique lorsque vous marchez sur une moquette, puis touchez le téléviseur, l'ordinateur, une poignée de porte en métal ou votre animal. Enfin, l'air humidifié fait toute la différence car il préserve également les meubles et les boiseries.

Félicitations ! En rendant votre maison plus confortable, vous venez de réaliser un investissement important.

APPLICATION

Cette trousse comprend un humidificateur HE220 ou HE260 et un humidostat H8908 de Honeywell ainsi que tous les accessoires nécessaires à l'installation.

INSTALLATION


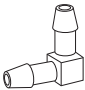
Avant d'installer ce produit

Il est important d'identifier tous les accessoires nécessaires (fournis) énumérés au Tableau 4 et d'avoir sous la main les bons outils.

Accessoires nécessaires (fournis)

Tableau 4. Accessoires nécessaires.

Quantité	Accessoires
Pièces et accessoires de l'humidificateur	
0,93 m (3 pi)	Gaines de dérivation comprenant : Gaine flexible de 155 mm (6 po) diam. Collet de raccordement (à bride) Collet lisse Registre de fermeture pour l'été Courroies de fixation (2)
6,2 m (20 pi)	Fil de thermostat à deux brins, grosseur 18.
6,2 m (20 pi)	Tuyau d'arrivée d'eau 6,35 mm (1/4 po) diam. ext.
3,1 m (10 pi)	Tuyau de vidange 12,7 mm (1/2 po) diam.
1 sac	Quincaillerie de raccordement et de fixation : Serre-fils (4) Vis à tôle n° 8 (18) Bride de tuyau de vidange Brides de fixation du tuyau d'arrivée d'eau (6) Garnitures en laiton (2) Anneaux de compression en plastique (2)
1	Humidostat H8908
1 sac	Ensemble robinet-vanne à étrier : Robinet-vanne à étrier et bride supérieure (1) Bride inférieure fileté (1) Boulons (2) Joint en caoutchouc (1) Garniture en laiton (1) Douille en plastique (1)

Quantité	Accessoires
Pressostat d'air et accessoires	
2	Joint d'étanchéité en caoutchouc noir  M27302
2	Raccord coudé pour tuyau  M27323
1	Tuyau de 3,05 m, diamètre intérieur de 1/4 po
1	Pressostat d'air (Fig. 10)
2	Vis à tôle no 8 de 3/4 po
2	Adaptateur de raccord

Outils nécessaires

Les outils nécessaires à l'installation :

- Cisailles à tôle
- Tournevis
- Clé ouverte ou réglable
- Perceuse ou poinçon
- Niveau
- Foret à tôle de 3/4 po

Choix du meilleur endroit pour l'humidificateur



MISE EN GARDE

Risques liés à une température ou une pression statique élevée.

Peut causer des dommages matériels ou endommager l'équipement.

Installez l'humidificateur dans un endroit où la température ambiante se situe entre 0° C (32 °F) et 71 °C (160 °F).

N'installez pas l'humidificateur dans un endroit exposé au gel.

Assurez-vous que la pression statique de l'alimentation dans le plenum ne dépasse pas 0,4 po C.E. et que la pression de l'eau ne dépasse pas 124 psi.

- Déterminez l'endroit où installer l'humidificateur sur le plenum (flux d'air chaud). Consultez la Fig. 1.
- Assurez-vous qu'à l'endroit choisi, le serpent in en A de l'appareil de climatisation ne risque pas d'être endommagé au cours de l'installation.
- N'installez pas l'humidificateur sur le boîtier de l'appareil de chauffage.
- Assurez-vous qu'il y a suffisamment d'espace devant l'humidificateur et au-dessus pour enlever le couvercle et faire l'entretien.

- Installez l'humidificateur au moins 78 mm (3 po) au-dessus du boîtier de l'appareil de chauffage afin de laisser un espace suffisant pour le montage de l'électrovanne et du tuyau de vidange.
- Installez l'humidificateur dans un endroit où l'air est conditionné pour prévenir le gel.

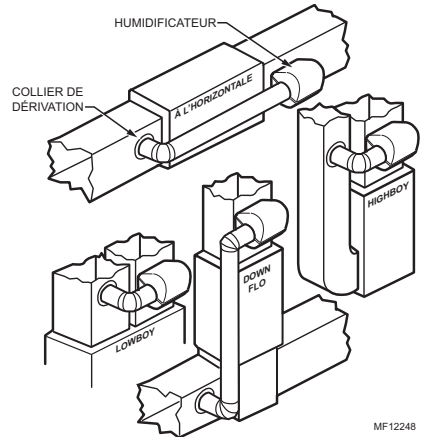


Fig. 1. Emplacements types de l'humidificateur.

Choix de l'endroit d'arrivée d'eau

- L'humidificateur fonctionne avec de l'eau dure ou de l'eau douce. L'eau peut être chaude ou froide. Le débit d'eau nécessaire pour imbibber l'écran évaporateur et transformer l'eau en vapeur est de 13 litres/h (3,5 gal/h) lorsque l'humidificateur est en marche.
- Assurez-vous que le tuyau d'arrivée d'eau de 6,2 m (20 pi) fourni permet de raccorder l'alimentation d'eau (robinet-vanne à étrier) à l'électrovanne de l'humidificateur.

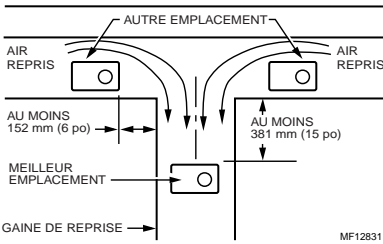
Repérage du siphon de sol le plus près

- Choisissez un endroit avec accès au siphon de sol pour l'évacuation de la condensation du climatiseur et la vidange de l'humidificateur.
- S'il n'y a pas de siphon à proximité, il est préférable d'installer l'humidificateur central à tambour ou à disque de Honeywell. Assurez-vous que le tuyau de vidange de 3,1 m (10 pi) est suffisamment long et permet de raccorder le tuyau de vidange de l'humidificateur au siphon de sol.

Choix de l'emplacement de l'humidostat

- Installez l'humidostat dans le plenum de reprise ou sur le mur d'une pièce occupée.
 - L'installation du circuit de câblage des commandes est beaucoup plus simple lorsque l'humidostat est installé dans le plenum de reprise.

Dans la gaine de reprise, l'humidostat doit être installé en amont de l'humidificateur ou en dérivation de manière qu'il puisse détecter avec exactitude l'humidité relative dans la pièce. Installez l'appareil à au moins 203 mm (8 po) en amont de l'humidificateur dans la gaine de reprise. (Consultez la Fig. 2.)



MF12831

Fig. 2. Choix de l'endroit où installer l'humidostat dans la gaine.

Repérage de la prise électrique 120 V la plus près

- Choisissez un endroit près d'une prise. S'il n'y a pas de prise, faites-en installer une par un électricien.
- Assurez-vous que le cordon de l'humidificateur est suffisamment long et qu'il peut être branché dans la prise.
- Assurez-vous que le fil de thermostat de 6,2 m (20 pi) est suffisamment long pour être branché de l'électrovanne de l'humidificateur à l'interrupteur à ailette et à l'humidostat.

Installation de l'humidificateur

⚠ AVERTISSEMENT

Risque de choc électrique.
Peut causer des blessures ou des dommages matériels.

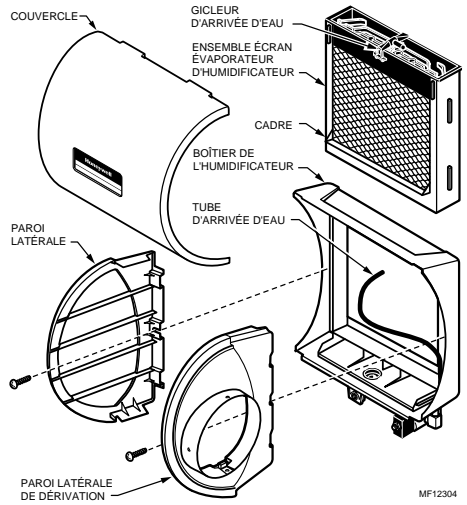
Ne pas couper ou percer un appareil électrique ou de conditionnement d'air.

⚠ MISE EN GARDE

Arêtes vives présentant un danger au moment de l'installation.

Peut causer des blessures.
Porter des gants et des lunettes de sécurité.

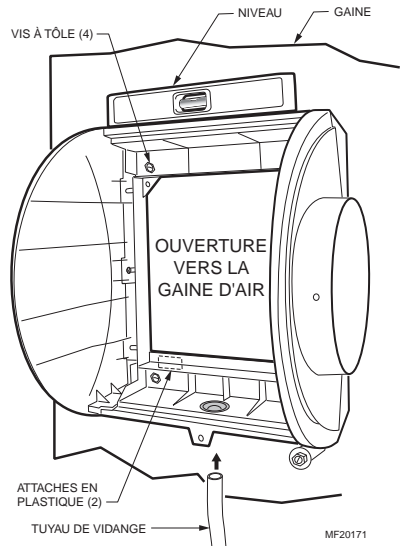
1. Coupez l'alimentation du système de conditionnement de l'air dans le tableau à disjoncteurs.
2. Tracez une ligne de niveau sur le plenum, à l'endroit où l'humidificateur sera installé. (La mise au niveau assure le rendement optimal de l'humidificateur.)
3. Prenez le gabarit dans la boîte (pièce 69-1950). Dans le cas du modèle HE220, découpez le gabarit suivant la ligne pointillée.
4. Fixez le gabarit avec du ruban adhésif et tracez-en le contour.
5. Enlevez le gabarit et découpez soigneusement une ouverture rectangulaire.
6. Démontez l'humidificateur, enlevez le couvercle et retirez l'ensemble écran évaporateur. Consultez la Fig. 3.



MF12304

Fig. 3. Démontage de l'humidificateur.

7. Assurez-vous que le boîtier de l'humidificateur est de niveau, puis placez-le de manière que les attaches de plastique soient sur l'arête de la tôle inférieure de l'ouverture. S'il y a lieu, aplatissez les bords à l'aide de pinces. Consultez la Fig. 4.
8. Fixez le boîtier de l'humidificateur dans la partie supérieure et la partie inférieure de l'ouverture à l'aide de vis à tôle.

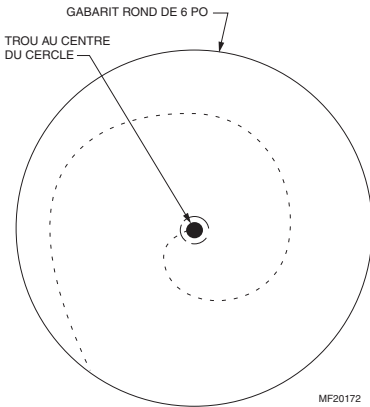


MF20171

Fig. 4. Installation de l'humidificateur sur une gaine.

9. Utilisez comme gabarit le collet de raccordement de 155 mm (6 po); marquez l'ouverture de la dérivation.

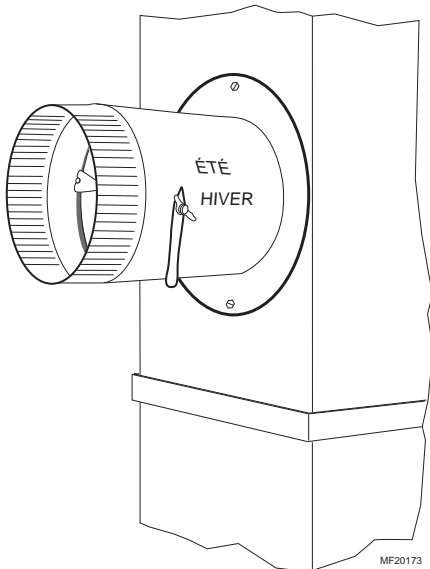
10. Découpez soigneusement une ouverture pour le collet de raccordement de 155 mm (6 po). Consultez la Fig. 5. À l'aide d'une perceuse ou d'un poinçon, percez un trou au centre du cercle. Pour découper plus facilement l'ouverture, faites une première ouverture, plus petite, en spirale.



MF20172

Fig. 5. Découpe de l'ouverture de la dérivation.

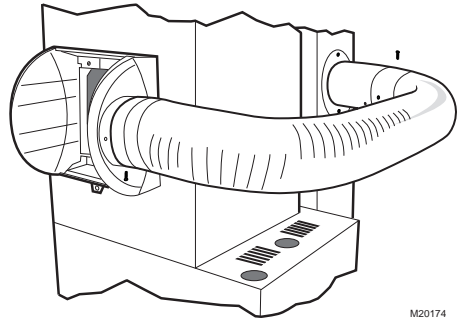
11. Assemblez le registre de fermeture pour l'été dans le collet de raccordement. Vérifiez si le registre passe facilement de la position ouverte à la position fermée. Assurez-vous que la poignée est accessible. Indiquez que la position fermée correspond à Été et la position ouverte, à Hiver. Consultez la Fig. 6.



MF20173

Fig. 6. Installation du collet de raccordement.

12. Enlevez la pellicule sur l'adhésif en mousse. Placez le collet de raccordement autour de l'ouverture.
13. Glissez un bout de la gaine flexible sur le collet de raccordement et attachez-la au moyen d'une courroie de fixation.
14. Introduisez le collet lisse dans l'orifice de l'humidificateur et fixez-le à l'aide de vis à tôle. Glissez la gaine flexible sur le collet et attachez-la avec une courroie de fixation. Consultez la Fig. 7.



M20174

Fig. 7. Raccordement de la gaine de dérivation.

15. Scellez les raccords de la gaine avec du ruban à gaine (non fourni).
16. Remettez l'ensemble écran évaporateur dans le boîtier de l'humidificateur.
17. Remettez le couvercle dans les fentes et fixez-le au moyen de la vis à oreilles au bas du couvercle.

Raccord de la tuyauterie

1. Fermez l'alimentation en eau.



MISE EN GARDE

Risques dus aux produits chimiques. Pourraient causer des blessures ou endommager l'appareil.

N'utilisez pas de conduite raccordée à un climatiseur. N'utilisez pas de conduite de gaz.

2. Premièrement, branchez la conduite de 1/4 po à l'électrovanne de l'humidificateur, située à la base de l'appareil.
- Retirez l'écrou à compression.
 - Jetez l'anneau en laiton et remplacez-le par l'anneau en plastique.
 - Installez la garniture en laiton dans l'extrémité du tuyau.
 - Insérez le tuyau dans le raccord de l'électrovanne et maintenez la vanne tout en serrant l'écrou à compression.

REMARQUE : Évitez de serrer excessivement l'écrou à compression. Un serrage modéré permet d'éviter les fuites.

3. Utilisez le robinet-vanne à étrier (inclus) pour percer le tuyau d'alimentation d'eau au bon endroit. Consultez la Fig. 8. Si vous devez percer un tuyau galvanisé, videz la conduite puis percez un avant-trou de 3/17 po pour le robinet-vanne à étrier.

REMARQUE : Le robinet-vanne à étrier n'est pas conçu pour servir de régulateur de débit d'eau. Il doit être soit ouvert, soit fermé.

IMPORTANT

Pour éviter que des débris ne bloquent l'électrovanne dans le filtre de conduite, assurez-vous que la poignée du robinet-valve à étrier pointe vers le plafond.

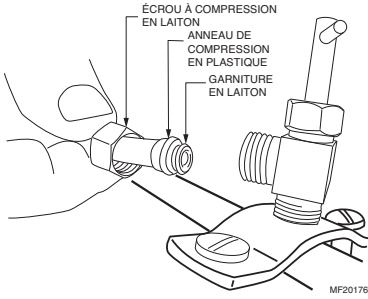


Fig. 8. Installation des tuyaux d'alimentation.

4. Utilisez un tuyau d'un diamètre extérieur de 1/4 po (6 mm) pour raccorder le robinet-vanne à étrier à l'orifice d'entrée de l'électrovanne (consultez la Fig. 9).
5. Répétez l'étape 2 (a à d) pour le raccord du robinet-vanne à étrier.

REMARQUE : Coupez le tuyau à la longueur adéquate afin que celui-ci prenne fin au tuyau d'évacuation.

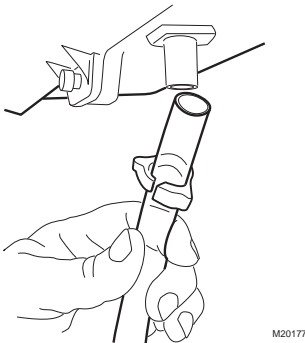


Fig. 9. Installation du tuyau d'évacuation.

Installation du pressostat d'air

IMPORTANT

N'installez pas le pressostat dans un endroit où la température est inférieure à -40 °C ou supérieure à 88 °C.

1. Coupez l'alimentation électrique du TrueSTEAM avant l'installation.
2. Installez le pressostat à la verticale, de façon à ce que les connecteurs à pression pointent vers le bas, et fixez-le au conduit à l'aide des vis autotaraudeuses incluses.

IMPORTANT

La précision d'étalonnage nécessite que le pressostat soit installé à la verticale (consultez la Fig. 10).

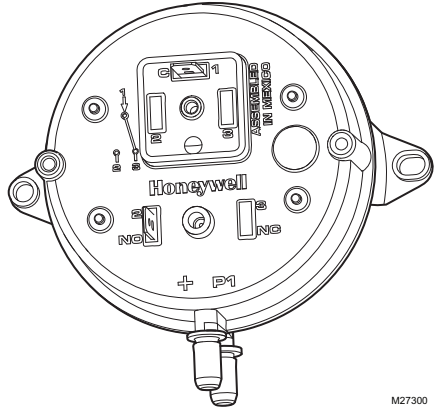
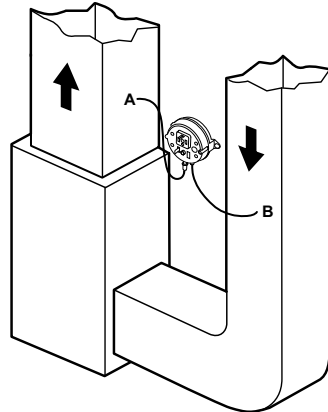


Fig. 10. Pressostat - installé à la verticale.

3. Il est recommandé d'installer le pressostat au conduit de retour, bien qu'il soit aussi possible de l'installer au conduit d'alimentation.



INSTALLATION DU CONDUIT D'APPROVISIONNEMENT - CONDUITE D'AIR POUR LA PRISE DE PRESSION A UNIQUEMENT - BRANCHEZ-LA SUR LA BORNE + DU PRESSOSTAT

INSTALLATION DU CONDUIT DE RETOUR - CONDUITE D'AIR POUR LA PRISE DE PRESSION B UNIQUEMENT : BRANCHEZ-LA SUR LA BORNE - DU PRESSOSTAT

INSTALLATION DU CONDUIT D'APPROVISIONNEMENT ET DE RETOUR - CONDUITE D'AIR BRANCHEE SUR LES BORNES + ET - DU PRESSOSTAT

MF27303

Fig. 11. Installation du pressostat

4. Percez un trou d'un diamètre de 3/4 po dans le conduit à moins de 3,05 m du pressostat, afin que la tuyauterie incluse puisse atteindre le coude de la prise de pression.
5. Insérez le joint d'étanchéité en caoutchouc noir dans le trou du conduit.
6. Raccordez le tuyau au raccord coudé en plastique transparent, puis insérez le coude du tuyau dans le joint d'étanchéité en caoutchouc noir.
7. Connectez l'autre bout du tuyau à la connexion à pression appropriée du pressostat.
 - e. Connexion noire si installé sur le conduit d'alimentation
 - f. Connexion grise si installé sur le conduit de retour
 - g. Connexions grise et noire si installé à la fois sur le conduit d'alimentation et sur le conduit de retour

IMPORTANT

Si la vitesse de circulation de l'air est basse ou variable, il est recommandé de raccorder un tuyau au conduit d'alimentation et au conduit de retour.

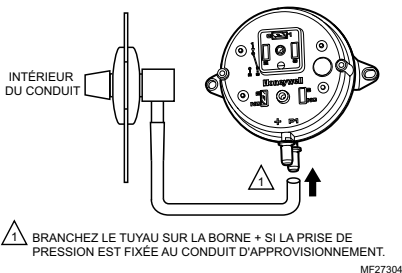


Fig. 12. Installation du tuyau.

8. Vous pouvez couper le tuyau afin de l'ajuster à la distance comprise entre le coude et le pressostat. Il est également recommandé de fixer le tuyau à une structure adjacente afin d'éviter un débranchement accidentel.

Installation de l'humidostat

Montage sur gaine

1. Placez le gabarit sur la gaine, à l'endroit où sera installé l'humidostat. Assurez-vous que le gabarit est de niveau avant de percer les trous.
2. Utilisez le gabarit fourni avec les instructions d'installation de l'humidostat H8908 pour percer l'ouverture pour les appareils et les trous de montage du H8908.
3. Retirez le boîtier du socle du H8908.
4. Placez le joint en mousse sur le socle du H8908.
5. Placez le socle sur la gaine, la flèche vers le haut.
6. Fixez le socle sur la gaine à l'aide des quatre vis de montage de 25 mm (1 po) fournies avec l'humidostat.

7. Connectez les fils basse tension aux conducteurs et remettez le boîtier du H8908. Consultez la Fig. 14.

REMARQUE : Pour une installation au mur, consultez les instructions d'installation du H8908.

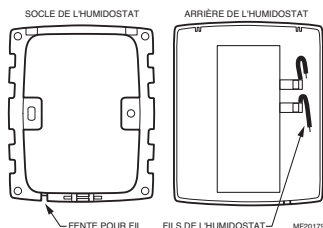


Fig. 13. Socle et vue arrière de l'humidostat.

CÂBLAGE



MISE EN GARDE

Risque de choc électrique. Peut causer des blessures ou des dommages matériels.
Coupez l'alimentation électrique avant de faire l'installation ou l'entretien.

IMPORTANT

Tout le câblage doit être conforme aux codes et règlements locaux.

Câblez l'électrovanne de l'humidificateur, l'interrupteur à ailette, l'humidistat et le transformateur. Consultez la Fig. 15.

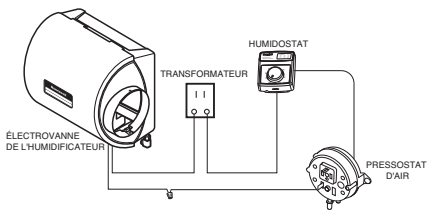


Fig. 14. Câblage des appareils.

IMPORTANT

Le ventilateur de l'appareil de chauffage doit être en marche pour que l'humidificateur fonctionne.

3. Assurez-vous que l'eau s'écoule du tuyau de vidange. Dans le cas contraire, reportez-vous à la section Dépannage de l'humidificateur.
4. Vérifiez s'il y a des fuites.
5. Réglez de nouveau le thermostat et l'humidostat H8908 à une température de confort pour les faire fonctionner automatiquement.

FONCTIONNEMENT

Fonctionnement de l'humidificateur

L'humidificateur fonctionne selon le principe suivant : la vapeur (eau évaporée) se forme lorsque l'air chaud souffle dans un endroit où il y a de l'eau; en circulant, la vapeur fait augmenter l'humidité relative.

L'humidostat vérifie l'humidité relative et, s'il y a lieu, fait fonctionner l'humidificateur. Le système d'arrivée d'eau réparti uniformément l'eau sur l'écran évaporateur de l'humidificateur. L'air sec et chaud qui sort de l'appareil de chauffage passe sur l'écran évaporateur de l'humidificateur et capte l'air humide pour le faire circuler dans la maison.

L'air humidifié est plus chaud et il assure un meilleur confort. Le point de consigne du thermostat peut donc être abaissé, ce qui permet de diminuer les coûts de chauffage. Avec un humidificateur, la maison devient confortable et éconergétique.

Réglage de l'humidificateur

L'humidostat H8908 commande l'humidificateur.

- Réglez l'humidostat à l'aide de l'échelle combinée d'humidité relative et de température extérieure.
- Réglez le cadran en fonction de la température extérieure afin d'optimiser le niveau d'humidité et d'éliminer la condensation dans les fenêtres. (Consultez le Tableau 5 pour sélectionner le réglage recommandé.)

REMARQUE : Lorsque la température extérieure baisse, le réglage recommandé doit être abaissé de manière à tenir compte du point de rosée. Les réglages recommandés devraient permettre de réduire l'accumulation d'humidité et de glace dans les fenêtres et ailleurs dans la maison.

- Le réglage de l'humidificateur doit être fait en fonction des activités à l'intérieur, notamment la cuisson, les douches et le séchage des vêtements. Ces activités peuvent produire une humidité excessive et être la cause de l'accumulation d'humidité dans les fenêtres.

REMARQUE : Si ces conditions durent plusieurs heures, régler l'humidostat à la valeur la plus basse pour arrêter l'humidificateur. S'il n'y a aucun changement, il faudrait ventiler la maison pour faire disparaître l'humidité.

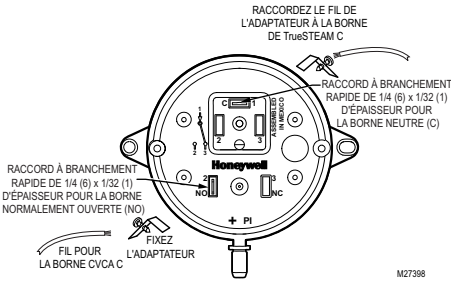


Fig. 15. Gros plan du câblage du pressostat.

1. Faites courir le fil de thermostat à deux brins de l'humidificateur à l'humidostat, puis de l'humidostat au pressostat d'air et enfin du pressostat d'air à l'humidificateur pour former un circuit fermé. Consultez la Fig. 14.
2. Coupez des longueurs de fil à thermostat pour raccorder les éléments, en laissant suffisamment de fil à chaque extrémité pour les raccords.

REMARQUE : L'humidostat et le pressostat peuvent être branchés dans n'importe quel ordre.

3. Sur l'humidificateur, connectez les conducteurs noir et blanc aux deux fils noirs de l'humidificateur.
4. Sur le transformateur, connectez les deux conducteurs noirs aux deux bornes du transformateur. À l'aide d'un capuchon de connexion, raccordez les deux conducteurs blancs ensemble.
5. Sur l'humidostat, connectez les deux conducteurs noirs aux deux bornes de l'humidostat. À l'aide d'un capuchon de connexion, raccordez les deux conducteurs blancs ensemble.

VÉRIFICATION DU FONCTIONNEMENT DE L'HUMIDIFICATEUR

LISTE DE VÉRIFICATION

- L'humidificateur est de niveau.
- Le câblage des commandes a été vérifié à l'aide du schéma de circuit.
- L'humidificateur est branché.
- Le tuyau d'arrivée n'est pas pincé.
- Le tuyau de vidange présente une pente continue vers le bas et se rend au siphon de sol.
- Le tuyau d'eau à l'intérieur de l'humidificateur est raccordé au plateau de distribution d'eau PerfectFlow^{MC}.

Après l'installation, vérifiez le fonctionnement de l'humidificateur en suivant les étapes ci-dessous :

1. Mettez en marche l'humidificateur et ouvrez l'arrivée d'eau.
2. Réglez l'humidostat H8908 à ON et réglez le thermostat pour qu'il indique 6 °C (10 °F) de plus que la température de la pièce.

Tableau 5. Réglage de l'humidostat.

Température extérieure	Réglage recommandé
-29 °C (-20 °F)	15
-23 °C (-10 °F)	20
-18 °C (0 °F)	25
-12 °C (+10 °F)	30
-7 °C (+20 °F)	35
Supérieure à -7 °C (20 °F)	40

ENTRETIEN DE L'HUMIDIFICATEUR

Un programme d'entretien à intervalles réguliers prolonge la durée de l'humidificateur et assure un meilleur confort. La fréquence de nettoyage varie selon la qualité de l'eau.

L'humidificateur peut fonctionner avec de l'eau dure ou de l'eau douce. Toutefois, les dépôts de sédiments d'eau dure sont plus difficiles à enlever que ceux d'eau douce.

Pour nettoyer l'humidificateur, suivez les étapes suivantes.

⚠ AVERTISSEMENT

Risque de blessures graves. Les pièces mobiles peuvent causer des chocs électriques ou des blessures.
Coupez l'alimentation électrique et fermez l'arrivée d'eau avant d'enlever le couvercle.

IMPORTANT

Ne lubrifiez jamais les pièces de l'humidificateur.

À intervalles de 1 à 3 mois (selon la qualité de l'eau)

1. Coupez l'alimentation électrique et fermez l'arrivée d'eau de l'humidificateur.
2. Enlevez le couvercle de l'humidificateur. Consultez la Fig. 16.
3. Enlevez l'ensemble écran évaporateur en tenant la partie supérieure du plateau et en le tirant vers vous.
4. Tirez vers vous un côté du cadre de l'ensemble écran évaporateur pour dégager le plateau du cadre.
5. Appuyez délicatement sur les cliquets du gicleur vers l'intérieur pour dégager le gicleur du plateau.
6. Glissez l'écran évaporateur de l'humidificateur vers l'extérieur du cadre.
7. Grattez soigneusement les dépôts de sédiments au fond du plateau et sur le cadre. Assurez-vous que l'orifice de vidange n'est pas bloqué.
8. Séparez le tuyau de vidange du raccord de vidange à la partie inférieure du boîtier de l'humidificateur.
9. Nettoyez le raccord de vidange s'il y a lieu.
10. Pliez le tuyau de vidange pour décoller les dépôts de sédiments.
11. Rincez le tuyau de vidange avec de l'eau sous pression (eau du robinet) pour le nettoyer.
12. Remplacez le tuyau de vidange sur le raccord de vidange.
13. Insérez l'écran évaporateur d'humidificateur dans le cadre.

14. Remplacez le gicleur sur le plateau.
15. Remettez le plateau sur le cadre.
16. Mettez l'ensemble écran évaporateur d'humidificateur dans le boîtier de l'humidificateur en appuyant jusqu'à ce qu'il soit bien en place. Assurez-vous que le tuyau d'arrivée d'eau n'est ni écrasé ni plié.
17. Remettez le couvercle sur l'humidificateur.
18. Pour vérifier le fonctionnement de l'humidificateur, reportez-vous à la section Vérification du fonctionnement de l'humidificateur.

Fin de la saison d'humidification

- À la fin de la saison de chauffage, nettoyez et arrêtez l'humidificateur.
- Pour arrêter l'appareil à la fin de la saison, suivez les étapes décrites à la section à intervalles de 1 à 3 mois.

IMPORTANT

Assurez-vous que l'appareil est en position arrêt.

Vacances

- Au moment de partir en vacances, fermez l'arrivée d'eau de l'humidificateur et mettez l'humidostat en position arrêt.
- Au retour, ouvrez l'arrivée d'eau de l'humidificateur et réglez l'humidostat.

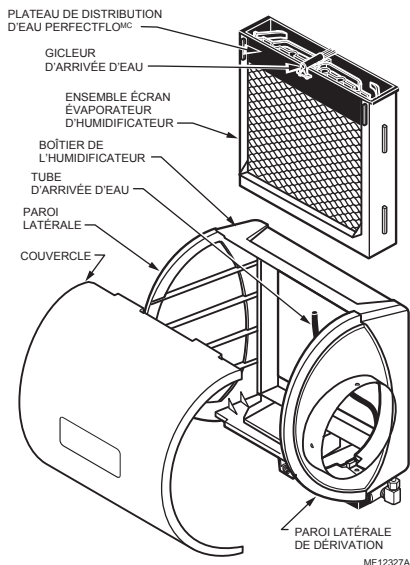


Fig. 16. Nettoyage de l'humidificateur.

VÉRIFICATION DU FONCTIONNEMENT DE L'HUMIDIFICATEUR

Après l'entretien ou la mise en marche pour l'hiver, vérifiez le fonctionnement de l'humidificateur en suivant les étapes ci-dessous :

1. Mettez en marche l'humidificateur et ouvrez l'arrivée d'eau.
2. Réglez l'humidostat à la valeur la plus élevée et réglez le thermostat pour qu'il indique 6 °C (10 °F) de plus que la température de la pièce.
3. Vérifiez si l'eau circule dans le tuyau de vidange.

REMARQUE : Le ventilateur de l'appareil de chauffage doit être en marche pour que l'humidificateur fonctionne.

4. Réglez le thermostat et l'humidostat pour qu'ils fonctionnent automatiquement et assurent une température de confort.

DÉPANNAGE DE L'HUMIDIFICATEUR

Tableau 6. Dépannage de l'humidificateur.

Problème	Ce qu'il faut vérifier	Ce qu'il faut faire
Fuite d'eau	Joints qui fuient	Couper l'alimentation d'eau Resserrer les raccords.
	Garnitures de tuyau en laiton	Vérifier si les garnitures utilisées sont bien en laiton.
	Fuite du robinet-vanne à étrier	Vérifier si l'écran évaporateur en caoutchouc est installé sur le robinet-vanne à étrier.
L'eau ne s'écoule pas vers le siphon	Électricité	Vérifier le câblage du circuit de commande. Vérifier toutes les connexions.
	Humidostat	Abaisser et augmenter le réglage de l'humidostat et vérifier s'il se produit un bruit de contact.
	Alimentation de l'humidostat	Vérifier si la prise est sous tension.
	Électrovanne	Vérifier les autres éléments de câblage, puis mettre en marche le ventilateur de l'appareil de chauffage, abaisser et augmenter le réglage de l'humidostat et vérifier s'il y a déclic de l'électrovanne.
	Tuyauterie	Vérifier les raccords des tuyaux. Vérifier si les tuyaux sont pincés.
	Robinet-vanne à étrier	Vérifier si le pointeau perce la ligne d'eau et revient en position pour ouvrir le robinet-vanne.
	Humidificateur	Enlever le couvercle et vérifier si l'eau s'écoule dans le plateau de distribution.
Fuite d'air	Tuyau de vidange	Vérifier s'il y a blocage.
	Vérifier les joints des gaines.	Sceller avec du ruban adhésif.
Faible humidité	Le ventilateur de l'appareil de chauffage ne fonctionne pas.	<ul style="list-style-type: none"> • Réenclencher le disjoncteur ou vérifier si le fusible est bon. • Vérifier si l'appareil de chauffage est sous tension. • Vérifier les connexions externes. • Vérifier le réglage de l'humidostat. • Appeler un entrepreneur en chauffage.
	Le renouvellement d'air est rapide (courant d'air : l'air froid est sec et représente une charge supplémentaire pour l'humidificateur).	<ul style="list-style-type: none"> • Garder les portes et les fenêtres fermées. • Fermer le registre de la cheminée (foyer) lorsque celle-ci n'est pas utilisée. • Faire fonctionner le ventilateur d'extraction pendant une période minimum. • Rendre les portes et les ouvertures étanches.
Humidité élevée	Condensation sur les murs.	<ul style="list-style-type: none"> • Arrêter l'humidostat et fermer l'arrivée d'eau jusqu'à ce que la condensation disparaisse complètement.
	Forte condensation dans les fenêtres.	<ul style="list-style-type: none"> • Abaisser suffisamment le réglage de l'humidostat pour éliminer la condensation causée par les bains, le lavage des planchers, la cuisson, etc. Si la condensation persiste, il faut augmenter la ventilation.

GARANTIE LIMITÉE DE UN AN

Honeywell garantit que ce produit, à l'exception de l'écran évaporateur de l'humidificateur, est exempt de tout vice de fabrication ou de matière dans la mesure où il en est fait une utilisation et un entretien convenables et ce, pour une période de un an à partir de la première date d'achat par le consommateur. En cas de défectuosité ou de mauvais fonctionnement pendant la période de garantie, Honeywell réparera ou remplacera ledit produit (au choix de Honeywell) dans un délai raisonnable.

Si le produit est défectueux, le consommateur doit le retourner au magasin où il a été acheté, en y joignant la facture ou une preuve d'achat.

La présente garantie ne couvre pas les frais d'installation et de retrait de ce produit. La présente garantie ne s'appliquera pas s'il est démontré par Honeywell que la défectuosité ou le mauvais fonctionnement du produit est attribuable à un endommagement du produit alors que le consommateur l'avait en sa possession.

La responsabilité de Honeywell se limite à réparer ou à remplacer le produit conformément aux modalités susmentionnées. HONEYWELL N'ASSUME AUCUNE RESPONSABILITÉ POUR QUELQUE DOMMAGE INDIRECT QUE CE SOIT RÉSULTANT D'UNE VIOLATION QUELCONQUE D'UNE GARANTIE, EXPRESSE OU TACITE, APPLICABLE AU PRÉSENT PRODUIT. Certains territoires et provinces ne permettent pas l'exclusion ou la restriction des dommages indirects et, par conséquent, la présente restriction peut ne pas s'appliquer.

LA PRÉSENTE GARANTIE TIENT LIEU DE TOUTES LES AUTRES GARANTIES, EXPRESSES OU TACITES, ET LES GARANTIES DE VALEUR MARCHANDE ET DE CONFORMITÉ À UNE FIN PARTICULIÈRE SONT PAR LES PRÉSENTES EXCLUES APRÈS LA PÉRIODE DE UN AN DE LA PRÉSENTE GARANTIE. Certains territoires et provinces ne permettent pas l'exclusion ou la restriction des dommages indirects et, par conséquent, la présente restriction peut ne pas s'appliquer.

La présente garantie donne au consommateur des droits légaux spécifiques et peut-être certains autres droits qui peuvent varier selon la province ou le territoire.

Pour tout renseignement concernant cette garantie, veuillez écrire à Honeywell Customer Care, 1885 Douglas Drive, Minneapolis, MN55422. Au Canada, veuillez écrire à Honeywell Limitée-Honeywell Limited, Produits de détail, ON15-02H, 35 Dynamic Drive, Scarborough (Ontario) M1V 4Z9.

Automation and Control Solutions

Honeywell International Inc.
1985 Douglas Drive North
Golden Valley, MN 55422

Honeywell Limited-Honeywell Limitée
35 Dynamic Drive
Toronto, Ontario M1V 4Z9
customer.honeywell.com

Honeywell

© U.S. Registered Trademark
© 2010 Honeywell International Inc.
69-2516EF—01 M.S. Rev. 11-10
Printed in U.S.A.