

AQ25042B RelayPLUS Zone Synchronizing Boiler Control

System commissioning date: _____

Customer: _____

Building address: _____

INSTALLATION JOB RECORD

INSTRUCTIONS:

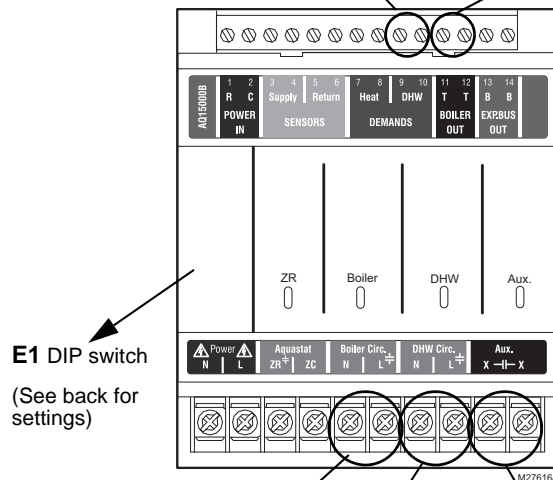
Fill in the details of the equipment connected to the control module and the zoning module:

- A** Low voltage control module wiring
- B** Low voltage zone thermostats
- C** Low voltage zone valves with end switches or line voltage pumps
- D** Line voltage Boiler pump and DHW device
- E** Review and set DIP switch settings - once the DIP switches for the control module (AQ15000B) and zoning module (AQ15540B) have been set, complete the "Installer Settings" diagrams by filling in the circles to indicate the DIP switch position set during installation.

File this with other installation records for equipment used on this installation.

A Boiler Control Module

Terminal #	9-10	11-12
Terminal ID	DHW	Boiler
Function	DHW demand	Boiler demand
Equipment		
Manufacturer		
Model #		
Serial #		
Date Code		
Notes		

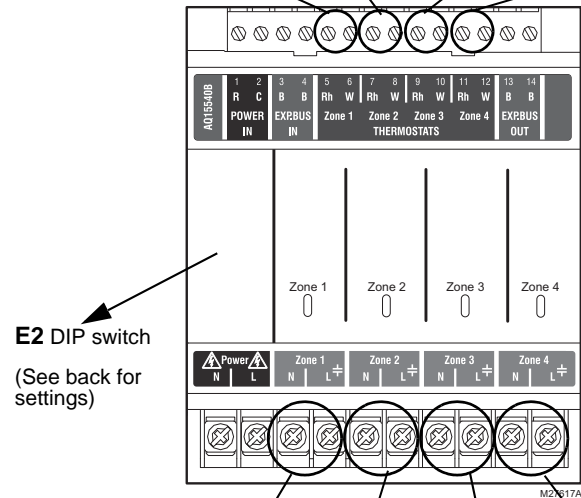


D Boiler Pump, DHW, and AUX Device

Terminal ID	Boiler	DHW	AUX
Function	Boiler loop control	DHW loop control	Line voltage-rated Aux device control (installer-defined)
Equipment			
Manufacturer			
Model #			
Power (Amps)			
Notes			

B Zoning Thermostats

Terminal #	5-6	7-8	9-10	11-12
Terminal ID	TH1	TH2	TH3	TH4
Function	Zone call for heat			
Equipment				
Manufacturer				
Model #				
Date Code				
Notes				



C Zoning Pumps or Valves

Terminal ID	Zone 1	Zone 2	Zone 3	Zone 4
Function	Zone control			
Equipment (circle one)	Pump / Valve	Pump / Valve	Pump / Valve	Pump / Valve
Manufacturer				
Model #				
Power draw Amps (pumps) VA (valves)				
Notes				



