

# L7224A,C; L7248A,C,L Oil and Electric Boiler Electronic Aquastat® Controllers

## INSTALLATION INSTRUCTIONS

### APPLICATION

The L7224A,C and L7248A,C,L 2012 Compliant Electronic Aquastat® Controllers provide electronic temperature sensing in a UL limit-rated control with a single sensing probe. The L7224A,C and L7248A,C,L control the circulator, oil or electric burner or contactor, and boiler temperature. The L7224/L7248 is "Outdoor Temperature Reset" ready which is enabled when connected to the W8735Y1000 wireless or W8735S1000 wired Outdoor Reset Kit. Outdoor Reset with the L7224/L7248 is intended for all applications except for tankless coil systems for domestic hot water. Compliance to 2012 DOE regulation ensures efficiency is maximized without interfering with domestic hot water demand.

The L7224A,C and L7248A,C,L replace the L8124A, L8124C, L7124A,C, L7148A and L8148A Controllers. The L7224A,C and L7248A,C,L series controls provide status and diagnostic information through an LED display combined with LED lights as well as EnviraCOM™ communications enabled thermostats and diagnostic tools to enhance the diagnostic process.

L7224/L7248 Aquastat Controllers are intended for use in residential-type applications.

### IMPORTANT

*Use of Outdoor Temperature Reset on a tankless coil application requiring a Low Limit setting will result in reduced system effectiveness and efficiency.*

### SPECIFICATIONS

#### Electrical Ratings:

Voltage: 120 Vac, 60 Hz.

Power: 7 VA maximum at 120 Vac plus external loads.

Thermostat current: 100 mA nominal at 24 Vac.

Burner Relay:

- 7.4 A at 120 Vac Full Load Amperage (FLA);
- 44.4 A inrush Locked Rotor Amperage (LRA);
- Less Ignition Load: 360 VA.

Circulator Relay:

- 7.4 A at 120 Vac FLA; 44.4 A inrush LRA.
- Zone Controller (ZC): 7.4 A at 120 Vac FLA;
- 44.4 A inrush LRA.

**NOTE: All loads combined cannot exceed 2000 VA.**

#### Environmental Ratings:

Temperature: -30 °F to +150 °F (-34 °C to +66 °C).

Humidity: 0 to 95% relative humidity, noncondensing.

#### Approvals:

Underwriters Laboratories Inc. Component Recognized.  
Canadian Underwriters Laboratories Inc. Component Recognized.

### 2012 DOE Compliance and Operation

Operation of this control may delay the burner operation while the residual heat is circulated out of the boiler.

**NOTE: This operation may be different than earlier electronic Aquastat® revisions which did not implement thermal purge.**



**Accessories:**

- W8735Y1000 Wireless Outdoor Reset Kit
- W8735ER1000 Wireless Outdoor Reset Module
- C7089R1013 Wireless Outdoor Temperature Sensor (requires W8735ER1000)
- W8735S1000 AquaReset™ Outdoor Reset Kit (includes 50022037-002 Outdoor Reset Module and C7089U1006 Outdoor Temperature Sensor)
- W8735S1008 AquaReset™ Domestic Hot Water Kit (includes 50022037-005 Domestic Hot Water Module and 32003971-003 Sensor)
- W8735S3000 EnviraCOM™ Alarm Module
- C7089U1006 Outdoor Temperature Sensor (used with the 50022037-002)
- 32003971-003 Temperature Sensor (used with 50022037-005)
- Sensor (See Table 2).
- 120650 Heat Conductive Compound.
- 121371AA Sensor Well Clamp.

**Table 1. Wells for L7224A,C; L7248A,C,L Controllers.**

Part Number	Spud Size in. (mm)	Insertion in. (mm)	Insulation in. (mm)
123869A	1/2 (12.7) NPT	3 (76.2)	1-1/2 (38.1)
123870A	3/4 (19.05) NPT	3 (76.2)	1-1/2 (38.1)

**Table 2. Sensors for L7224A,C and L7248A,C,L Controllers.**

Part Number	Length in. (mm)	Application
50001464-001	12 (304.8)	Well-mounted controls
50001464-003	24 (609.6)	Flush-mounted controls
50001464-004	36 (914.4)	
50001464-005	48 (1219.2)	

# INSTALLATION

## When Installing this Product...

1. Read these instructions carefully. Failure to follow them could damage the product or cause a hazardous condition.
2. Check the ratings given in the instructions and on the product to make sure the product is suitable for your application.
3. The installer must be a trained, experienced service technician.
4. After installation is complete, check out product operation as provided in these instructions.
5. Set High Limit, Low Limit and Low Limit Differential to the settings recommended by the boiler OEM.
6. Record the maximum High Limit setting from the replaced controller in the text box provided on the cover insert label.
7. Record the High Limit setting at time of installation in the text box provided on the cover insert label.



## WARNING

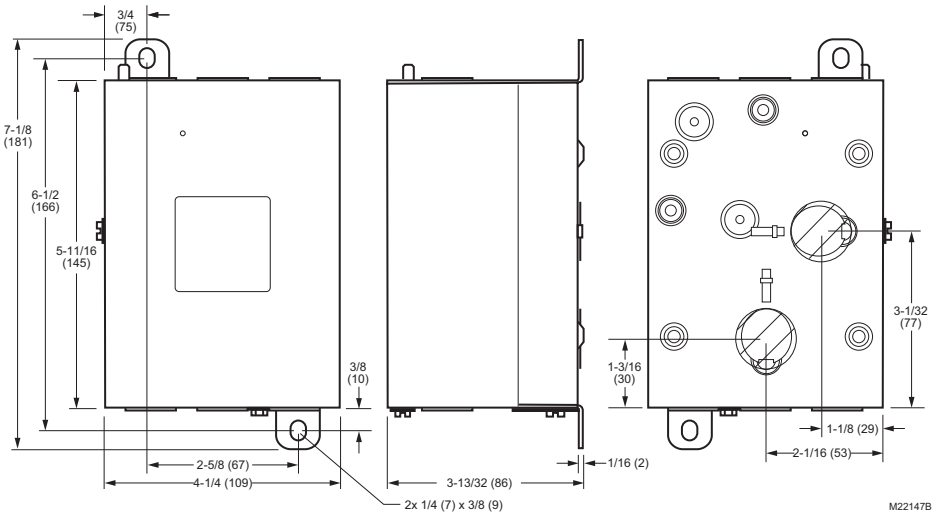
**Electrical Shock Hazard.**

**Can cause severe injury, death or property damage.**

Disconnect power supply before beginning installation to prevent electrical shock or equipment damage.

## Mounting

The L7224A,C and L7248A,C,L models are available in a well-mount, horizontal position, vertical position, or flush mounted remote from the well versions. Dimensions for the variety of mounting options are shown in Fig. 1. Note that each identity will have only a single mounting option.



**Fig. 1. L7224A,C; L7248A,C,L mounting dimensions in inches (mm).**

**IMPORTANT**

*Immersion well must fit sensing element and sensor must rest against bottom of well.*

## New Installation

Order well assemblies separately; see Table 1 and form no. 68-0040, Immersion Wells and Compression Fittings for Temperature Controllers. Boilers usually have tapings that allow the well to be mounted horizontally so boiler water of average temperature can circulate freely over the well.

1. Turn off all power and drain the boiler, if applicable.
2. If no tapping is provided, prepare properly sized and threaded tapping near the top of the boiler.
3. Sparingly coat the well threads with pipe dope.

**NOTE: Do not attempt to tighten by using the case as a handle.**

4. Install the well in the boiler tapping and tighten securely.
5. Refill boiler and check for water leakage.
6. Loosen but do not remove the well clamp screw.
7. Fit the case into the well so the clamp on the case slides over the flange on the well.
8. Securely tighten the clamp screw.
9. Insert the sensor element into the well until it bottoms. See Replacement Sensor Installation section for details. (If necessary, slightly bend the wire inside the case to hold the sensor against the bottom of the well.)
10. Turn power ON.
11. Set High Limit, Low Limit and Low Limit Differential to the settings recommended by the boiler OEM. (See OPERATION section.) (See INSTALLATION steps 6 and 7.)
12. On L7248L models, adjust ELL option to match your configuration (see OPERATION section, and Fig. 11 and 13).

### IMPORTANT

*Best thermal response is obtained with a well that snugly fits the sensor. Insert the sensor until it rests against the bottom of the well. Use a well of correct length and bend the wiring, if necessary, to hold the bulb against the bottom of the well.*

*If the well is not a snug fit on the sensor, use the heat-conductive compound (furnished with TRADELINE® models) as follows: Fold the plastic bag of compound lengthwise and twist it gently. Then snip off end of bag and work the open end of the bag all the way into the well. Slowly pull out the bag while squeezing it firmly to distribute compound evenly in the well. Bend the wiring, if necessary, to hold the sensor against the bottom of the well and to hold outer end of the sensor in firm contact with the side of the well. See Fig. 2. Wipe excess compound from the outer end of the well.*

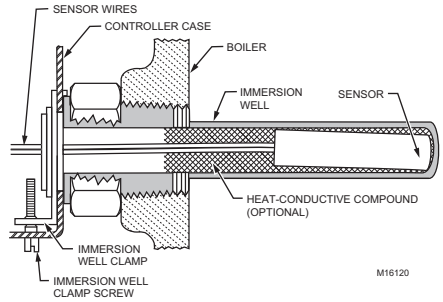


Fig. 2. Position of sensor in immersion well.

## Flush-Mounted Aquastat Replacement

Turn off all power and remove the old control. Refer to the cover insert of the old control to identify and tag each external lead as it is disconnected. If the old well is unsuitable for the new installation, remove it and replace it with a suitable new well. If the old well is suitable, use it.

## Well-Mounted Aquastat Replacement

Turn off all power and remove the old control. Refer to the cover insert of the old control to identify and tag each external lead as it is disconnected. If the old well is unsuitable for the new installation, remove it and proceed with instructions for new installation. If the old well is suitable, use it.

1. Loosen, but do not remove, the well clamp screw on the side of the control case.
2. Position immersion well clamp snugly over the flange of the adapter and tighten the clamp screw.
3. Insert the sensor into the well as shown in Fig. 2 or 3. (See Replacement Sensor Installation section for details.)

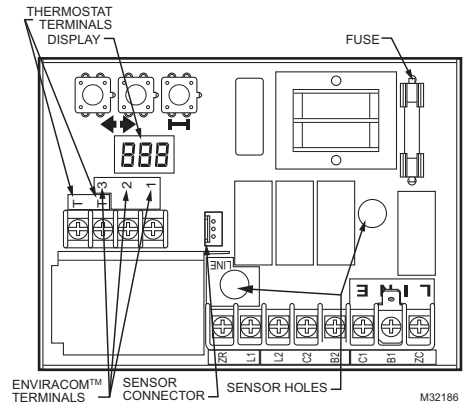


Fig. 3. Circuit board, showing sensor connection and well holes for horizontal mount models.

## WIRING



### WARNING

**Electrical Shock Hazard.**

**Can cause serious injury or death.**

Disconnect power supply before making wiring connections to prevent electrical shock or equipment damage.

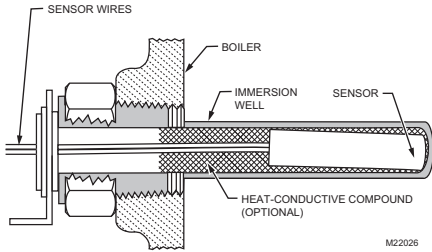
All wiring must comply with local electrical codes and ordinances. Do not exceed the specifications in the Application section when wiring this control. Use wire rated for 194 °F (90 °C) or higher.

### IMPORTANT

*The terminals on these Aquastat Controllers are approved for use with copper wire only.*

Follow the appropriate wiring diagrams shown on the inside of the front cover of the L7224A,C; L7248A,C,L or in Fig. 8-13.

Refer to Fig. 6 for Connections for the optional Outdoor Reset Module and the Domestic Hot Water (DHW) module. In subsequent wiring diagrams these modules will be displayed with a dotted line signifying that they are optional.

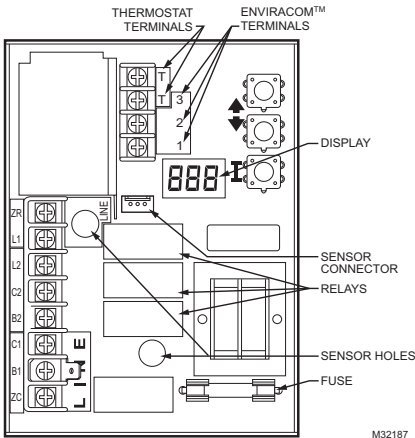


**Fig. 4. Replacement sensor installation.**

## Replacement Sensor Installation

Turn off all power and:

1. Carefully disconnect sensor from circuit board by pulling gently on the connector.
2. Gently pull sensor from thermo well and through circuit board by pulling on leadwires.
3. Carefully align replacement sensor with hole in circuit board and guide through Aquastat case and into well. (See Fig. 5).
4. Make sure sensor is fully seated to bottom of well (See Fig. 4). Use a small pencil to measure depth of sensor in well, if necessary.
5. Connect sensor to circuit board by pressing connector on sensor unit into mating connector on circuit board (See Fig. 5).
6. For remote sensors (flush-mounted Aquastat Controllers) be sure to use 121571AA Clamp (see Accessories) to securely hold sensor in place.



**Fig. 5. Circuit board, showing sensor connection and well holes for vertical mount models.**

## Fuse

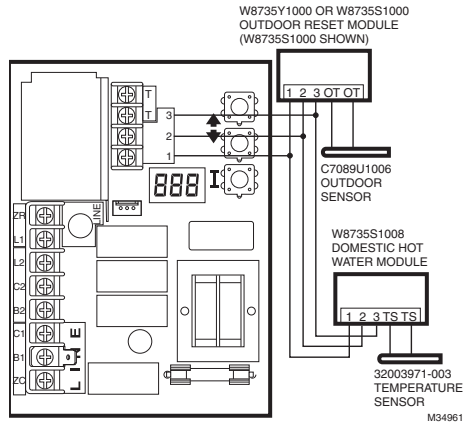
The 1 Amp fuse located near the transformer is intended to protect the EnviraCOM circuit from incorrect wiring. The Aquastat will continue to function should the fuse blow or be removed though no EnviraCOM communication will be possible on the bus and Err 6 will be displayed. See Table 10.

## OPERATION

### General

The L7224A,C and L7248A,C,L Oil Electronic Aquastat Controllers are primary safety limit-rated devices designed for use with oil fired boilers with line voltage burners and circulators. Many boilers do not include wiring or control compartments as part of the design, but are provided with an integral, replaceable, immersion well that is the mounting hardware for the Aquastat Controllers. Wiring to the other controls is done through flexible metal conduit.

For boilers that do include a remotely (flush) mounted control, the wiring may be completed with conduit or routed behind the boiler sheet metal.



**Fig. 6. Wiring the Outdoor Reset Module and the Domestic Hot Water Module.**

A separate electromechanical high-limit is not required in a system that uses this control to meet Underwriters Laboratories Inc. requirements for oil-fired boiler assemblies, UL 726.

On the L7224 models, the High Limit, Low Limit, Low Limit Differential, and Anti Short-Cycle time can be adjusted to the setting recommended by the boiler OEM. On the L7248 models, the High Limit, and Anti Short-Cycle time are also adjustable, see "Adjusting Settings".

The overall range of the High Limit is from 130 °F to 240 °F (54 °C to 116 °C). Select devices may have different ranges. Some models have limited ranges on the High Limit setpoint; this limited range is listed on the device label.

Some models also have a Low Limit and Low Limit Differential adjustment. The range of the Low Limit is from 110 °F to 220 °F (43 °C to 104 °C). Select devices may have different ranges.

The Zr setting can be set to DHW, Zoning, or for tankless coil applications depending on the L7224/L7248.

If an Outdoor Reset Module is installed, the reset curve can be set by entering the minimum outdoor temperature, minimum (boiler) temperature, and maximum outdoor temperature on the 3-digit display. The range of the minimum outdoor temperature is from -40 °F to 40 °F (-40 °C to 4.4 °C) and has a default setting of 0 °F (-18 °C). The range of the maximum outdoor temperature is from 30 °F to 70 °F (-1.1 °C to 21.1 °C) and has a default setting of 40 °F. The range of the minimum (water or boiler) temperature is from 80 °F to 180 °F (26.7 °C to 82.2 °C) and has a default setting of 130 °F. See the "Outdoor Reset Module" Installation Instructions (form number 69-2335) for more information on setting the boiler reset curve and all related parameters.

The L7224A,C and L7248A,C,L are designed for use with 24 Vac electronic and electromechanical thermostats or EnviraCOM™ enabled thermostats, and have screw-type terminals for easy field connection.

## Adjusting Settings

To discourage unauthorized changing of Aquastat settings, a procedure to enter the **ADJUSTMENT** mode is required. To enter the **ADJUSTMENT** mode, press the **UP**, **DOWN**, and **I** buttons (Refer to Fig. 5) simultaneously for three seconds. Press the **I** button until the feature requiring adjustment is displayed:

**Table 3. Adjustable Features.**

Display	Definition
HL_	High Limit.
Hdf	High Limit Differential.
LL_	Low Limit. (L7224A, C)
Ldf	Low Limit Differential (L7224A, C)
ELL	External Low Limit (L7248L only)
duu	ZR input configured as external Domestic Hot Water (DHW) request (ON/OFF) (L7224A,C/ L7248L)
ASC	Anti Short-Cycle Timeout (seconds); "OFF" is disabled.
otL*	Outdoor Temperature Low (minimum) parameter for the outdoor reset curve (°F or °C)
otH*	Outdoor Temperature High (maximum) parameter for outdoor reset curve (°F or °C)
btL*	Boiler Temperature Low (minimum) parameter for outdoor reset curve
bP*	Boost Period (minutes). "OFF" is displayed if Boost is inactive
bS*	Boost step (°F or °C) shown only if Boost is active (bP=ON)
UUS*	Warm Weather Shutdown Temperature (°F or °C)
tPL**	Thermal Purging Limit Temperature (°F or °C), "OFF" if disabled
tPt**	Thermal Purging Time Delay (minutes), shown only if tPL is enabled
PC	Pump Cycling (ON / OFF)
F-C	Temperature units (°F or °C)

\* Settings available for adjustment on the 3-digit display only if a W8735Y1000 or W8735S1000 Outdoor Reset Kit is installed.

\*\*Settings available for adjustment only when the W8735Y1000 or W8735S1000 Outdoor Reset Kit is NOT installed.

Then press the **UP** and/or **DOWN** buttons to move the set point to the desired value, to change between °F and °C, or to enable (On) or disable (Off) the External Low Limit. After 60 seconds without any button inputs, the control will automatically return to the **RUN** mode.

## Display

In the **RUN** mode, the Aquastat will flash "bt" (boiler temp) followed by the temperature (i.e., 220), followed by °F or °C.

To read boiler settings, press the **I** key to read the parameter of interest. For example, press **I** and High Limit (**HL**) is displayed, followed by a three-digit number, i.e., 220, followed by °F or °C. Pressing the **I** button again (on L7224 models) will display the Low Limit (**LL**) followed by a three-digit number and the corresponding degree designator. See Display Readout, Table 4.

After approximately 60 seconds without any key presses, the display will enter a dim display mode. To return to the bright display mode, simply press any key.

**Table 4. Display readout definitions.**

Text	Description	Display
<i>Err</i>	Error Code (if one is present)	<i>Err</i>
<i>bT</i>	Boiler Temperature	<i>bT</i>
<i>HL</i>	High Limit <sup>1</sup>	<i>HL</i>
<i>HdF</i>	High Limit Differential	<i>HdF</i>
<i>LL</i>	Low Limit (L7224 only)	<i>LL</i>
<i>Ldf</i>	Low Limit Differential (L7224 only)	<i>LdF</i>
<i>tt</i>	Local Thermostat Status	<i>tT</i>
<i>ttE</i>	EnviraCOM Thermostat Status	<i>tTE</i>
<i>brn</i>	B1 (Burner) output (ON or OFF)	<i>brn</i>
<i>Cir</i>	C1 (Circulator) output (ON or OFF)	<i>Cir</i>
<i>ZC</i>	ZC (Zone Control) output (ON or OFF)	<i>ZC</i>
<i>Zr</i>	ZR (Zone Request) Call for HEAT (ON or OFF)	<i>Zr</i>
<i>ELL</i>	External Low Limit Enabled (L7248L only)	<i>ELL</i>
<i>duu</i>	ZR Configured as Domestic Hot Water Request (L7224, L7248L only)	<i>duu</i>
<i>ASC</i>	Anti Short-Cycle Timeout	<i>ASC</i>
<i>bSP</i>	Boiler Set-Point <sup>2</sup>	<i>bSP</i>
<i>dhc</i>	DHW Module Connected <sup>3</sup> (YES or NO)	<i>dhc</i>
<i>ot</i>	Outdoor Temperature <sup>2</sup>	<i>ot</i>
<i>otL</i>	Outdoor Temperature Low <sup>2</sup>	<i>otL</i>
<i>otH</i>	Outdoor Temperature High <sup>2</sup>	<i>otH</i>
<i>btL</i>	Boiler Temperature Low <sup>2</sup>	<i>btL</i>
<i>bP</i>	Boost Period <sup>2</sup>	<i>bP</i>
<i>bS</i>	Boost Step <sup>2</sup>	<i>bS</i>
<i>UUS</i>	Warm Weather Shutdown Temperature <sup>2</sup>	<i>UUS</i>

<sup>1</sup> Display shows local setting; not the setting as modified by an external enviraCOM control.

<sup>2</sup> Settings are viewable only if the outdoor reset module and outdoor temperature sensor are installed and functioning properly.

<sup>3</sup> Settings are viewable only if the domestic hot water module and sensor are installed and functioning properly.

## Operation

The L7224 and L7248 models can be in any of four operational states: Normal, High Limit, Low Limit and Error. The controller moves back and forth from High Limit to Normal to Low Limit state as part of normal operation. Only devices having High Limit settings are restricted to the High Limit and Normal states. However, the controller will enter the Error state when there is an abnormal condition. The operating states are:

1. Normal: Boiler temperature went below the High Limit setting (minus the Differential) and has not exceeded the High Limit setting; or, the boiler temperature went above the Low Limit setting and

has not gone below the Low Limit setting (minus the Differential); or, ZR input is not powered with 120 Vac (only L7248L with ELL set On).

2. High Limit: Boiler temperature went above the High Limit setting and has not dropped below the High Limit setting (minus the Differential).
3. Low Limit: Boiler temperature went below the Low Limit setting (minus the Low Limit Differential) and has not gone above the Low Limit setting; or, ZR input is powered with 120 Vac (only L7248L with ELL set On).
4. Error: The controller has detected an error condition (e.g., open sensor) and has shut down the burner output. The ZC output is energized. The controller continues to monitor the system and automatically restarts if the error condition clears. Refer to Table 4.

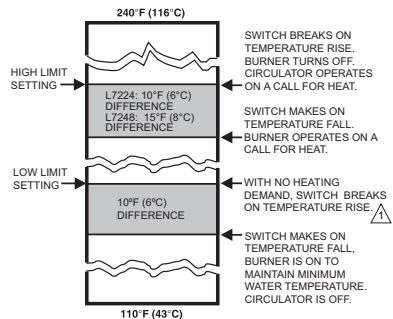
The operating sequence for the L7224/L7248 is shown in Table 6–9.

## High Limit Controller

The High Limit opens and turns off the burner when the water temperature reaches the setpoint. The High Limit automatically resets after the water temperature drops past the setpoint and through the Differential. The L7248 models have High Limit Differential presets of 15 °F (8 °C). The L7224 models have High Limit Differential presets of 10 °F (6 °C).

## Low Limit and Circulator Controller

On a temperature rise, with the adjustable Differential at the default setting of 10 °F (6 °C), the burner circuit breaks and the circulator circuit makes (assuming no call for heat is present) at the Low Limit setpoint. On a temperature drop of 10 °F (6 °C) below the Low Limit setpoint, the burner circuit makes and the circulator circuit breaks. See Fig. 7.



⚠ WHEN WATER REACHES LOW LIMIT SETTING, THE BURNER SHUTS OFF OR THE CIRCULATOR PUMP STARTS (WHEN CALLING FOR HEAT).

M23364

**Fig. 7. Setpoints and differentials.**

## Anti Short-Cycle Feature

The Anti Short-Cycle feature allows for field selection of a delay time between burner cycles. Should a call for heat occur following the end of the previous heat cycle and before the Anti Short-Cycle delay time is expired, the circulator will be allowed to run, but the burner will be held off until the time has elapsed. The range of the Anti Short-Cycle time is from OFF to five minutes.

**NOTE:** This feature is blocked if a Domestic Hot Water demand occurs. Domestic Hot Water demands are serviced immediately, without any delay.

**NOTE:** When the Aquastat is connected to the oil primary and/or thermostat via the EnviraCOM bus, the Anti Short-Cycle time does not apply to recycle events such as loss of airflow or flame. It applies only to loss of demand.

## ZR-Domestic Hot Water (DHW) Request

The ZR terminal can be selected to service an indirect water heater heat request. This parameter is set via the 3 digit display (see Adjusting Settings section of this document). A heat request via the ZR terminal will have priority over all other features such as the Anti Short-Cycle feature or those enabled by the Outdoor Reset Module (See form #69-2335 for more information).

## Frost Protection

The Frost Protection function protects the boiler and potentially the boiler plumbing from possible damage which may occur should the water in the system begin to freeze. The Frost Protection feature is enabled only in the L7248 (cold start models). The feature default setting is enabled (ON), but can be disabled using the 3-digit display. See "Adjusting Settings" on page 5.

When the Boiler temperature drops to the Frost Protection Limit temperature (fixed 40 °F), the burner is forced on. The Circulator and ZC outputs remain in the same state as before the Frost Protection function was enabled. They can be either ON or OFF during the Frost Protection cycle.

When the Boiler temperature reaches the Frost Protection Limit temperature plus a fixed 10 °F differential, the burner is turned off unless requested to stay on due to a different demand.

## Thermal Purge Operation

The intent of thermal purge is to insure usable residual heat in the boiler is circulated until it is sufficiently depleted from the system before the burner is allowed to fire. To that end, on a call for heat, the burner is held off while the circulator runs until the boiler temperature drops to the thermal purge temperature or a time delay is exceeded. Both of these parameters are adjustable. When the boiler temperature reaches the thermal purge temperature, the burner is allowed to fire. Thermal purge is only applied to cold start Aquastat models (L7248) and will not interfere with domestic hot water call for heat or boilers equipped with Honeywell outdoor reset accessories. For warm start models where a Low Limit must be set, thermal purge is not applied.

In addition to the thermal purge temperature and thermal purge time delay parameters, two other conditions release the Aquastat from thermal purge in order to maintain comfort in the space:

- The boiler temperature has dropped 10 °F from the beginning of the thermal purge.
- Boiler temperature is cooling at a rate greater than 5 °F/minute while the circulator is running.

The thermal purge feature applies to single zone as well as multi-zone applications.

## Thermal Purge Settings

Some thermal purge parameters are configurable using the 3 digit display. See "Adjusting Settings" on page 5. Thermal purge may be disabled by setting the thermal purge temperature limit to "OFF".

**Table 5. Thermal Purge Settings.**

Parameter name	Minimum value	Maximum Value	Default
Boiler temperature drop	Not adjustable	Not adjustable	10 °F
Thermal purge temperature limit	120 °F (or OFF)	160 °F	140 °F (L7248)
Thermal purge temperature rate of drop	Not adjustable	Not adjustable	5 °F/minute
Thermal purge time delay	1 minute	10 minutes	2 minutes

## Thermal Purge and Domestic Hot Water

The thermal purge feature is automatically disabled whenever there is a call for domestic hot water either from the Zr terminal or from the DHW Module to insure hot water is available in a timely manner. See "ZR-Domestic Hot Water (DHW) Request" on page 7.

## Pump Cycling

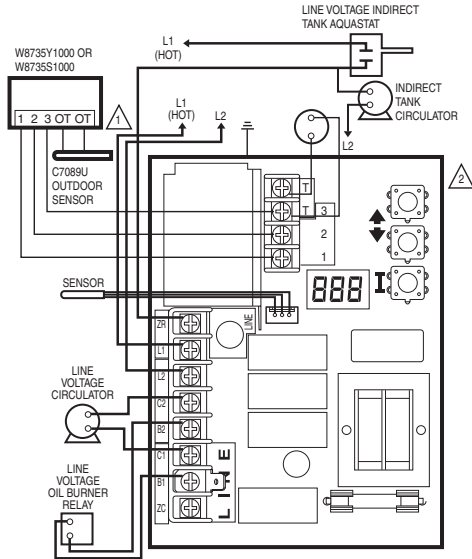
The Pump Cycling feature exercises the system pump for 15 seconds after a non-adjustable five day period of no boiler activity. The Pump Cycling feature default setting is enabled (ON) but can be disabled (OFF) using the 3-digit display. See "Adjusting Settings" on page 5.

## CHECKOUT

Put the system into operation and observe at least one complete cycle to make sure that the controller operates properly. See TROUBLESHOOTING section to use LED to assist in determining system operation.

## TROUBLESHOOTING

When attempting to diagnose system performance, reference to the LED display can help to identify specific areas not working properly. The LED display will scroll **Err**, followed by a digit (1-8). Refer to Table 10 and 11 for a description of each error and suggested actions.



1 OUTDOOR RESET MODULE IS OPTIONAL. W8735S1000 WIRED OUTDOOR RESET MODULE SHOWN.

2 FOR BEST PERFORMANCE SET DUU="ON".

M32023A

**Fig. 8. L7224A,C; L7248L single heat zone with indirect water tank and circulators. Optional Outdoor Reset Module.**



**Table 6. L7224/L7248 Controller Operating Sequence.**

<b>Action</b>	<b>System Response</b>
Thermostat calls for heat.	Circulator starts when water temperature is above Low Limit setting (if applicable) or above the Thermal Purge Temperature Limit (tPL) if Thermal Purge is enabled. Boiler temperature is checked. Burner starts when water temperature is below High Limit setting minus the differential or at or below the Thermal Purge Temperature Limit (tPL) for cold start boilers if the Thermal Purge Temperature Limit is enabled. If tPL is enabled, the burner may also start if the boiler temperature is cooling at 10 °F or greater per minute or the Thermal Purge Time Delay (tPt) has expired. If Anti Short-Cycle Time is enabled, the burner does not start until the set Anti Short-Cycle Time between cycles expires after the previous call for heat was satisfied.
Boiler temperature exceeds the High Limit.	Burner is turned off. Burner restarts when the water temperature drops below the High Limit setting minus the Differential. If Thermal Purge is enabled, the burner is turned on when either the Thermal Purge Temperature Limit is reached, the Thermal Purge Time Delay has expired or the boiler temperature cooling rate exceeds 10 °F/minute.
Thermostat is satisfied.	Circulator and burner turn off.
Boiler temperature drops below the Low Limit setting minus the differential (if applicable).	Burner is turned on, Circulator is turned off. Burner stops when the water temperature exceeds the Low Limit setting. Power to Zc is removed.
Error condition 1-5.	If an error condition is detected, all outputs except ZC are shut down. Burner is off. Control continues to function and restarts when error is corrected. During the error check sequence, the system checks for drift in the sensor and corrosion in the connections.
Error condition 6.	EnviraCOM communication is not available.
Error condition 7.	The control has reset the High Limit, Low Limit and Differential setting to a default setting and will continue to run at those settings. Performance of the system will be degraded.
Error condition 8.	If the error condition is detected, all outputs except ZC are shut down. Burner is off. Control continues to function and restarts when all three user keys have been pressed longer than 60 seconds.
Error condition 9*.	System continues to run with no outdoor reset functionality
Error condition 10*.	System continues to run with outdoor reset parameters enabled as programmed. Error cleared automatically.
Error condition 11*.	System continues to run with boiler temp set to High Limit.

\* Error condition only available when the Outdoor Reset Module is installed.

**Table 7. L7224/L7248 Controller Operating Sequence with multiple zones connected through the ZR terminal.**

<b>Action</b>	<b>System Response</b>
Zone Request (ZR) terminal is connected to L1 (Zone calls for heat).	Boiler temperature is checked. Burner starts when water temperature is below High Limit setting or at or below the Thermal Purge Temperature Limit (tPL) for cold start boilers if the Thermal Purge Temperature Limit is enabled. If tPL is enabled, the burner may also start if the boiler temperature is cooling at 10 °F or greater per minute or the Thermal Purge Time Delay (tPt) has expired. Anti Short-Cycle Time is applied, see Table 6.
Boiler temperature exceeds the High Limit.	Burner is turned off. Burner restarts when the water temperature drops below the High Limit setting minus the Differential. If Thermal Purge is enabled, the burner is turned on when either the Thermal Purge Temperature Limit is reached, the Thermal Purge Time Delay has expired or the boiler temperature cooling rate exceeds 10 °F/minute.
Zone Request input is de-energized (Zones are satisfied).	Burner turns off.
Boiler temperature drops below the Low Limit setting minus the differential (if applicable).	Burner turns on and Zone Control is de-energized. Burner turns off and Zone Control is re-energized when the water temperature exceeds the Low Limit setting.

**Table 8. Controller Operating Sequence with External Low Limit device connected through the ZR terminal.**

Action	System Response
Zone Request (ZR) terminal is connected to L1 (External Low Limit call for heat).	Boiler temperature is checked. Burner starts when water temperature is below High Limit setting. Circulator turns off.
Boiler temperature exceeds the High Limit.	Burner is turned off. Burner restarts when the water temperature drops below the High Limit setting minus the Differential.
Zone Request input is de-energized (External Low Limit is satisfied).	Burner is turned off.

**Table 9. L7224 Controller Operating Sequence with Domestic Hot Water connected through the ZR terminal.**

Action	System Response
Zone Request (ZR) terminal is connected to L1 (Domestic Hot Water calls for heat).	Boiler temperature is checked. Burner starts when water temperature is below High Limit setting.
Boiler temperature exceeds the High Limit.	Burner is turned off. Burner restarts when the water temperature drops below the High Limit setting minus the Differential.
Zone Request input is de-energized (Domestic Hot Water is satisfied).	Burner is turned off.

**Table 10. LED Error Codes.**

Aquastat Error Code	Cause/Action	EnviraCOM Alarm
Err1	Aquastat sensor fault; check water sensor.	18
Err2	ECOM fault; check EnviraCOM™ wiring.	18
Err3	Excessive electrical noise or frequency out of range. Hardware fault; replace controller.	18, 58
Err4	B1 fault; check B1 wiring/voltage.	64
Err5	Low Line; check L1-L2, 110 Vac.	59
Err6 <sup>a</sup>	Warning: Fuse; check ECOM wires, replace fuse.	92
Err7	Warning: EEPROM, HL, LL, Hdf, Ldf; reset to default values.	N/A
Err 8 <sup>b</sup>	Repeated B1 fault (voltage present at B1 when output is turned off); check B1 wiring/voltage.	25
Err9 <sup>a</sup>	Warning: Outdoor Reset System failure; communication to Outdoor Reset Module lost, Outdoor Reset Module failure, multiple outdoor temperature sensors detected on the bus, or outdoor temperature sensor failure. Check EnviraCOM wiring (1, 2, 3), check sensor wiring.	50, 53, 149
Err 10 <sup>a</sup>	Warning: Boost Failure; Boost Mode active at least once per cycle for the last 60 consecutive cycles. Check Outdoor Reset curve settings.	150
Err 11 <sup>a</sup>	DHW Module/Sensor failure; communication to DHW Module lost, DHW Module failure, or temperature sensor failure. Check EnviraCOM wiring (1, 2, 3), check sensor wiring.	146, 147, 148

<sup>a</sup> Warnings are generated to enunciate the system is not operating optimally, but the Aquastat is still operating and maintaining boiler temperature. In the instance where an Outdoor Reset Module is used, the warnings may indicate a reset curve setting error one or more features is not running optimally, and the Aquastat is reverting to default settings or has stopped running the Outdoor Reset algorithms. The warnings are cleared when the issue(s) is resolved.

<sup>b</sup> To clear Err 8 condition, depress and hold all three user keys simultaneously for 60 seconds. Err 8 condition clears and display returns to normal. Err 8 condition is designed to catch welded relays on the Aquastat and will normally only occur near end of life for the control. If Err 8 condition has occurred early in the controls life, be sure to check for voltage feedback to B1 when B1 should be off and check current draw on b terminal to be sure oil burner is not drawing excessive current. Err 8 condition will keep repeating if B1 fault is not cleared.

**Table 11. Troubleshooting Guide**

System Condition	Diagnostic Condition	Check	Action
Boiler is cold, house is cold.	Display is OFF.	120 Vac System power.	Turn system power on.
	Display is ON.	24 Vac T-T	No 24 V; replace control.
		24 V present; disconnect thermostat, short T-T.	Boiler starts, check wiring and thermostat.
		120 Vac at B1-B2	<ul style="list-style-type: none"> <li>• If no, replace control.</li> <li>• If yes, check burner and wiring.</li> </ul>
		Refer to <b>Err</b> on display.	—

Table 11. Troubleshooting Guide

System Condition	Diagnostic Condition	Check	Action
Boiler is hot, house is cold.	Display is ON.	120 Vac at C1-C2	<ul style="list-style-type: none"> <li>• 120 Vac at C1-C2, check wiring to pump.</li> <li>• Wiring OK, is pump running?</li> <li>• If not, replace the pump.</li> <li>• If pump is running, check for trapped air or closed zone valves.</li> </ul>
		Boiler below the Low Limit temperature, wait for boiler to go above Low Limit temperature.	—
		Boiler above LL? If yes, check for 120 Vac between ZC and L2.	<ul style="list-style-type: none"> <li>• If no 120 Vac, replace control.</li> <li>• If yes, check zone relays, circulators and wiring.</li> </ul>
		ELL setting (L7248L only)	<ul style="list-style-type: none"> <li>• Set ELL to Off for multizone system (see Fig. 11).</li> <li>• Set ELL to On for External Low Limit (see Fig. 13).</li> </ul>
		Boiler above LL? If yes, check 120 Vac at ZR-L2 (only L7248L with ELL set On)	<ul style="list-style-type: none"> <li>• If no 120 Vac, check C1-C2 (see above).</li> <li>• If yes, check the External Low Limit control.</li> </ul>
Boiler is hot, no hot potable water.	Display is ON.	Boiler Demand signal from the water heater (either 120 Vac at ZR-L2, or 0 Vac on T-T; depends on installation and "duu" setting)	<ul style="list-style-type: none"> <li>• 24 Vac on T-T (or 0 Vac on ZR-L2), check wiring to water heater</li> <li>• Wiring OK, check the water heater</li> </ul>
		"duu" setting	<ul style="list-style-type: none"> <li>• Set duu to ON if 120 Vac water heater demand is connected to ZR</li> <li>• Set duu to OFF if open/closed water heater demand is connected to T-T</li> </ul>
		Check DHW Module and DHW Sensor	<ul style="list-style-type: none"> <li>• DHW Module not properly connected and/or DHW Sensor improperly positioned</li> </ul>

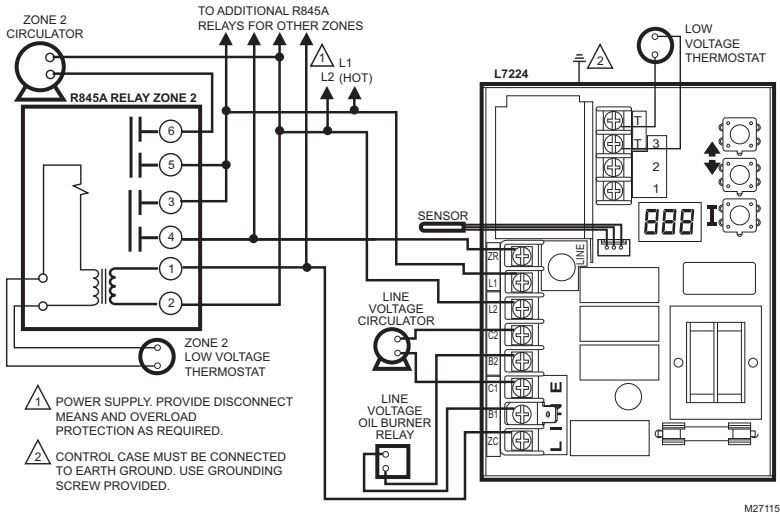


Fig. 9. L7224A,C multizone system with circulator connections.

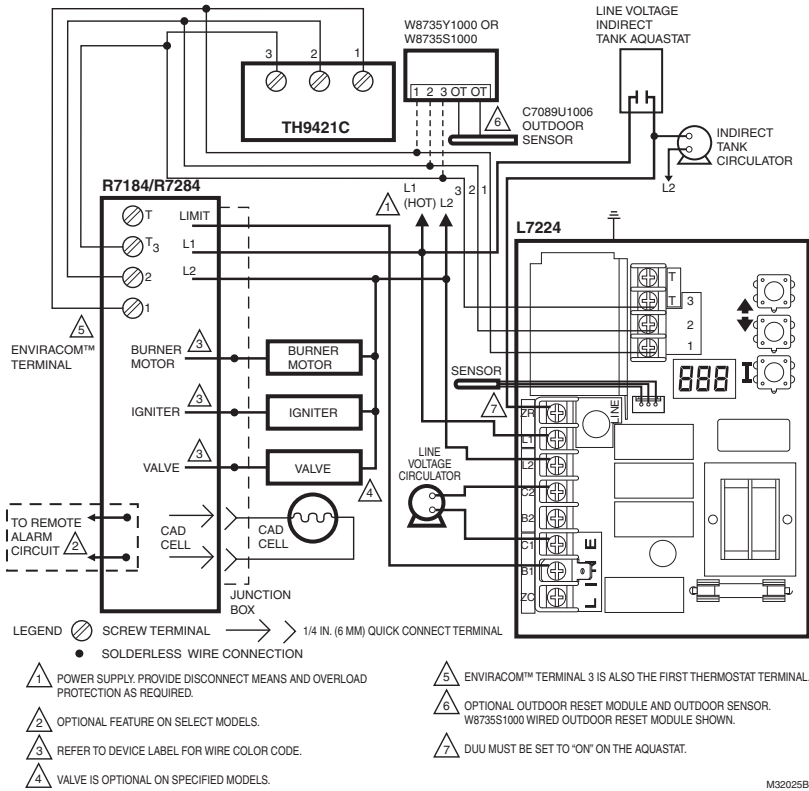
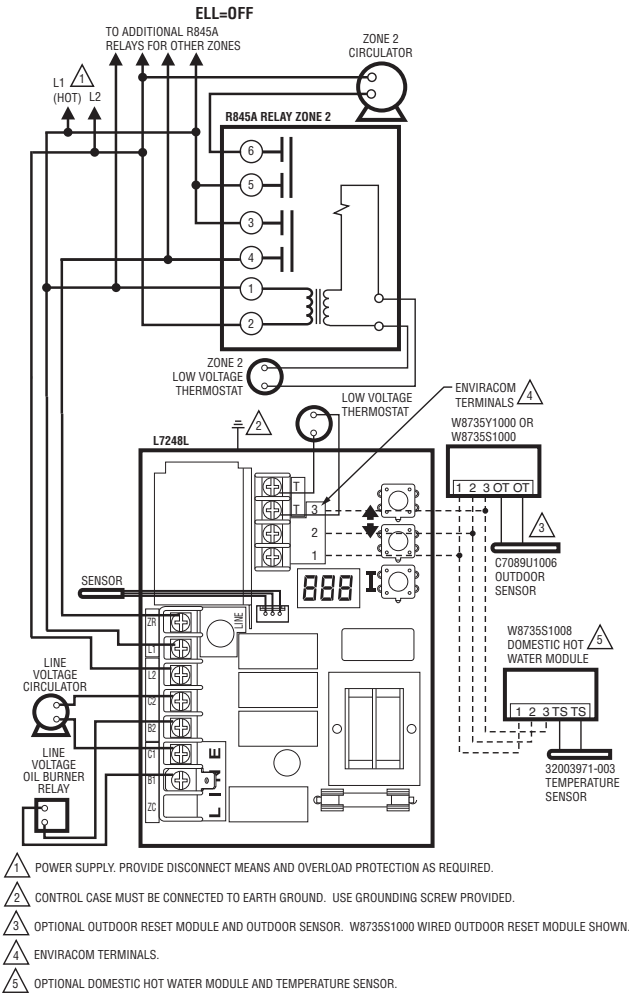


Fig. 10. L7224A,C single zone system with circulator and indirect water tank with EnviraCOM™ thermostat.



M29655A

**Fig. 11. L7248L multizone system with circulator connections.**

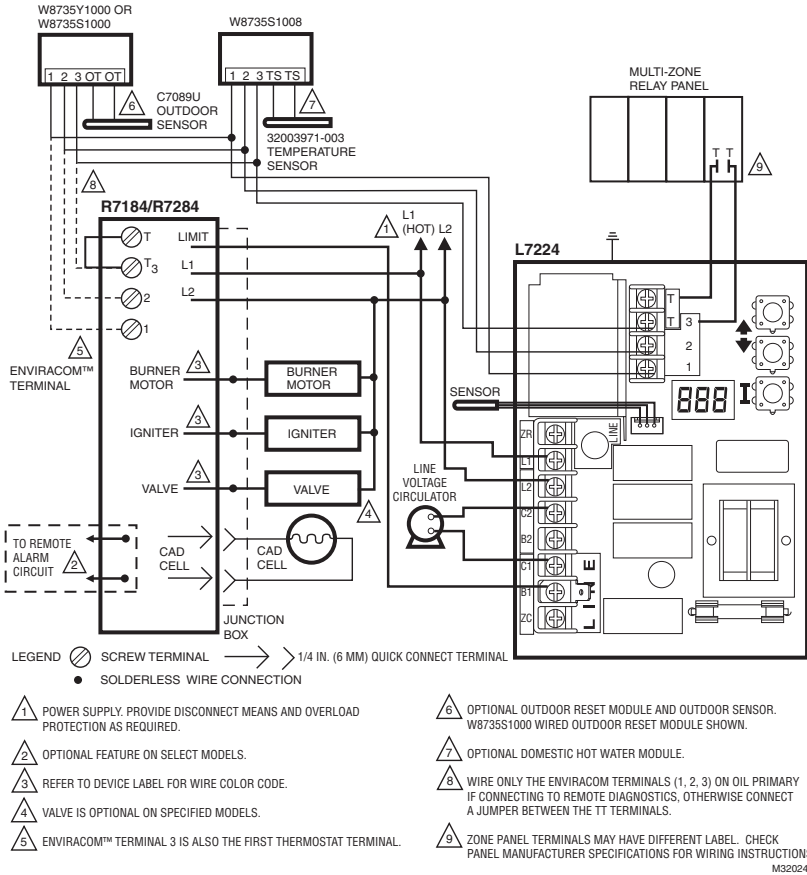
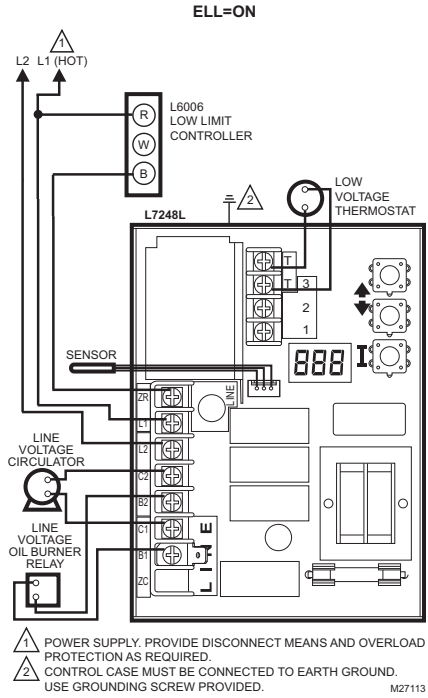


Fig. 12. L7224/L7248 multizone system with Outdoor Reset and Domestic Hot Water Modules (indirect tank applications).



**Fig. 13. L7248L External Low Limit connections.**

**Automation and Control Solutions**

Honeywell International Inc.

1985 Douglas Drive North

Golden Valley, MN 55422

[customer.honeywell.com](http://customer.honeywell.com)

© U.S. Registered Trademark  
© 2013 Honeywell International Inc.  
68-0281EFS—07 M.S. Rev. 10-13  
Printed in United States

**Honeywell**



# Régulateurs électroniques

## Aquastat® L7224A,C; L7248A,C,L

### pour chaudières électriques et à mazout

#### NOTICE D'INSTALLATION

## APPLICATION

Les régulateurs électroniques Aquastat® L7224A,C et L7248A,C,L conformes à la réglementation 2012 captent la température de façon électronique au sein d'un limiteur homologué UL au moyen d'une seule sonde de détection. Le L7224A,C et le L7248A,C,L contrôlent le circulateur, le contacteur ou brûleur (électrique ou à mazout), et la température de la chaudière. Le L7224/L7248 peut être réglé selon la température extérieure lorsqu'il est relié au nécessaire de réarmement d'extérieur avec fil W8735S1000 ou au nécessaire de réarmement d'extérieur sans fil W8735Y1000. Le réarmement d'extérieur effectué avec le L7224/L7248 est conçu pour toutes les applications excepté les systèmes de serpentin sans réservoir pour eau chaude résidentielle. La conformité à la réglementation 2012 du Ministère de l'énergie américain (DOE) garantit une efficacité supérieure sans interférence avec les exigences en matière d'eau chaude domestique.

Le L7224A,C et le L7248A,C remplacent les régulateurs L8124A, L8124C, L7124A,C, L7148A et L8148A. Les régulateurs séries L7224A,C et L7248A,C,L fournissent les informations sur le statut et le diagnostic sur l'afficheur à cristaux liquides combinés à des voyants DEL et à des thermostats compatibles EnviraCOM™ et des outils diagnostiques pour améliorer les processus diagnostiques.

Les régulateurs Aquastat L7224/L7248 sont destinés à des applications résidentielles.

### IMPORTANT

*L'utilisation d'un dispositif à réarmement de la température extérieure sur les systèmes à serpentin sans réservoir nécessitant un réglage limite basse résultera en une réduction de l'efficacité du système.*

## CARACTÉRISTIQUES TECHNIQUES

### Caractéristiques électriques :

Tension : 120 V c.a. 60 Hz

Alimentation : 7 VA maximum à 120 V c.a. plus charges externes.

Thermostat courant : 100 mA nominaux à 24 V c.a.

Relais de brûleur :

Courant pleine charge à 7,4 A à 120 V c.a.;

Tension de rotor bloqué de 44,4 A à 1,2 A avec appel à pleine charge;

Moins la charge d'allumage : 360 VA.

Relais de régulateur :

7,4 A à pleine charge à 120 V c.a.; 44,4 A à l'appel à pleine charge.

Régulateur de zone (ZC) : 7,4 A à 120 V c.a. à pleine charge;

44,4 A à l'appel à rotor bloqué.

REMARQUE : Toutes les charges combinées ne peuvent pas dépasser 2000 VA.

### Caractéristiques environnementales :

Température : -34 °C to +66 °C (-30 °F à 150 °F).

Humidité : 0 à 95 % d'humidité relative, sans condensation

### Homologations :

Composants approuvés Underwriters Laboratories Inc.

Composants approuvés Canadian Underwriters Laboratories Inc.

## Fonctionnement et conformité à la réglementation 2012 du Ministère de l'énergie américain (DOE)

Le fonctionnement de ce régulateur peut retarder le fonctionnement du brûleur pendant que la chaleur résiduelle circule hors de la chaudière.

**REMARQUE : Ce fonctionnement peut différer des révisions Aquastat® électroniques antérieures qui n'utilisaient pas de purge thermique.**

**Accessoires :**

Nécessaire de réarmement d'extérieur sans fil

W8735Y1000

Module de réarmement d'extérieur sans fil

W8735ER1000

Capteur de température extérieur sans fil C7089R1013

(requiert le W8735ER1000)

Nécessaire de réarmement d'extérieur AquaReset™

W8735S1000 (inclut le module de réarmement d'extérieur 50022037-002 et le capteur de température d'extérieur C7089U100)

Nécessaire d'eau chaude résidentiel AquaReset™

W8735S1008 (inclut le module d'eau chaude résidentiel 50022037-005 et le capteur 32003971-003)

Module d'alarme EnviraCOM™ W8735S3000

C7089U1006 Capteur de température d'extérieur (utilisé avec le 50022037-002)

32003971-003 Capteur de température (utilisé avec 50022037-005)

Capteur (Voir le Tableau 2).

120650 Composé thermoconducteur.

121371AA Capteur de pince de puits

**Tableau 1. Puits pour régulateurs L7224A,C; L7248A,C,L.**

Número de pièce	Taille d'orifice po (mm)	Insertion po (mm)	Isolation po (mm)
123869A	1/2 (12,7) NPT	3 (76,2)	1-1/2 (38,1)
123870A	3/4 (19,05) NPT	3 (76,2)	1-1/2 (38,1)

**Tableau 2. Capteurs pour régulateurs L7224A,C et L7248A,C,L.**

Número de pièce	Longueur po (mm)	Application
50001464-001	12 (304,8)	Commandes montées sur puits
50001464-003	24 (609,6)	Commandes encastrées
50001464-004	36 (914,4)	
50001464-005	48 (1219,2)	

# INSTALLATION

## Lors de l'installation du produit...

1. Lire attentivement ces instructions. Le fait de ne pas les suivre risque d'endommager le produit ou de constituer un danger.
2. Vérifier les caractéristiques nominales indiquées dans les instructions et sur le produit, et s'assurer que celui-ci correspond bien à l'application prévue.
3. L'installateur doit être un technicien d'expérience ayant reçu la formation pertinente.
4. Une fois l'installation terminée, vérifier le fonctionnement du produit comme l'indiquent les présentes instructions.
5. Placer la Limite haute, la Limite basse et le Différentiel limite basse aux réglages recommandés par le fabricant de la chaudière.
6. Incrire le réglage Limite haute maximale du régulateur remplacé dans la zone de texte fournie sur l'étiquette du couvercle à insert.
7. Incrire le réglage Limite haute au moment de l'installation dans la zone de texte fournie sur l'étiquette du couvercle à insert.



## AVERTISSEMENT

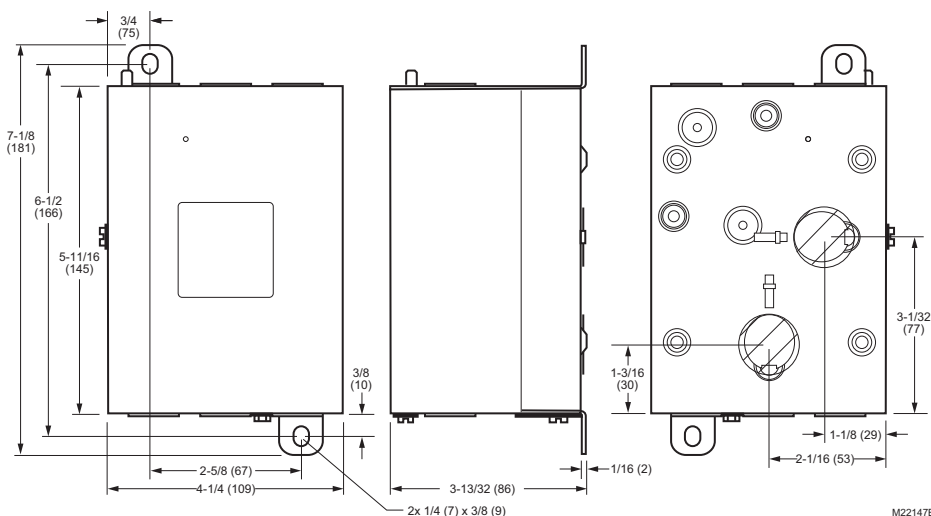
**Risque de choc électrique.**

**Peut provoquer des blessures graves, voire mortelles ou des dommages à la propriété.**

Débrancher l'alimentation en courant avant de commencer l'installation pour prévenir des chocs électriques ou des dommages matériels.

## Montage

Les modèles L7224A,C et L7248A,C,L sont offerts à montage en puits, en position horizontale, en position verticale ou en montage encastré à distance du puits. Les dimensions pour la variété d'options de montage sont indiquées à la Fig. 1. Noter que chaque identité disposera d'une seule option de montage.



**Fig. 1. L7224A,C; L7248A,C,L dimensions de montage en po (mm).**

**IMPORTANT**

Le puits d'immersion doit être compatible avec l'élément de détection et le capteur doit reposer contre le bas du puits.

**Nouvelle installation**

Commander les ensembles de puits séparément; consulter le Tableau 1 et le formulaire n° 68-0040, Puits d'immersion et raccords de compression pour les régulateurs de température. Les chaudières disposent habituellement de deux prises qui permettent le montage horizontal du puits pour que l'eau de la chaudière de température moyenne puisse circuler librement sur le puits.

1. Couper l'alimentation en courant et vidanger la chaudière, le cas échéant.
2. Si aucune prise n'est fournie, en ménager une à la dimension et au filetage appropriés près du dessus de la chaudière.
3. Recouvrir les filets du puits d'une petite quantité de pâte à joint.

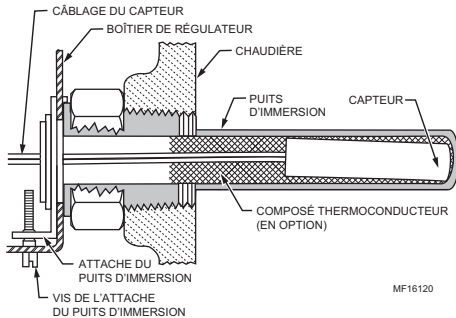
**REMARQUE :** Ne pas tenter de serrer en utilisant le boîtier comme poignée.

4. Installer le puits sur la prise de la chaudière en serrant fermement.
5. Remplir de nouveau la chaudière et s'assurer de l'absence de fuites.
6. Desserrer, mais ne pas retirer la vis de l'attache du puits.
7. Installer le boîtier dans le puits de manière à ce que l'attache du boîtier glisse sur la bride du puits.
8. Serrer fermement la vis de l'attache.
9. Insérer le capteur à élément jusqu'au fond du puits. Consulter la section traitant de l'installation du capteur de remplacement pour obtenir des détails. (Au besoin, plier légèrement le fil à l'intérieur du boîtier pour que le capteur reste au fond du puits.)
10. Mettre l'appareil en marche.
11. Placer la Limite haute, la Limite basse et le Différentiel limite basse aux réglages recommandés par le fabricant de la chaudière. (Consulter la section traitant du FONCTIONNEMENT.) (Consulter les étapes 6 et 7 de la section traitant de l'INSTALLATION.)
12. Sur les modèles L7248L, régler l'option ELL de manière à ce qu'elle soit compatible avec votre configuration (consulter la section traitant du FONCTIONNEMENT ainsi que les Fig. 11 et Fig. 13).

**IMPORTANT**

Le puits doit être bien ajusté dans le capteur pour obtenir une meilleure réponse thermique. Insérer le capteur jusqu'à ce qu'il repose au fond du puits. Utiliser un puits d'une longueur appropriée et plier le fil, au besoin, pour que le bulbe reste au fond du puits.

Si le capteur n'épouse pas parfaitement la forme du puits, utiliser le composé thermoconducteur (fourni avec les modèles TRADELINE®) en procédant comme suit : plier le sac de plastique contenant le composé thermoconducteur sur le sens de la longueur et l'enrouler doucement. Couper ensuite l'extrémité du sac et la placer tout au fond du puits. Tirer doucement sur le sac pour le retirer du puits tout en le comprimant fermement de manière à distribuer uniformément le composé dans le puits. Plier le fil, au besoin, pour que le capteur reste au fond du puits et que la paroi externe du capteur reste en contact avec la paroi interne du puits. Consulter la Fig. 2. Essuyer l'excès de composé de l'extrémité extérieure du puits.



**Fig. 2. Position du capteur dans le puits d'immersion.**

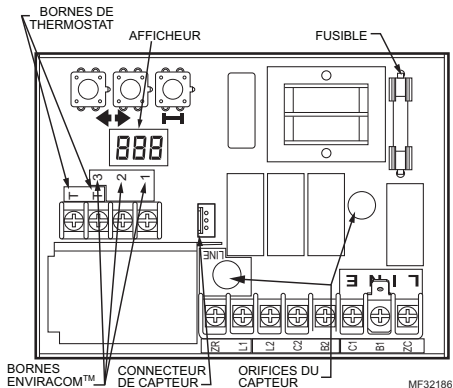
**Remplacement de l'Aquastat, montage encastré**

Couper l'alimentation et déposer l'ancien régulateur. Se reporter à l'insert du couvercle de l'ancien régulateur pour identifier et étiqueter tous les fils externes au fur et à mesure de leur déconnexion. Si l'ancien puits ne convient pas au nouveau montage, le déposer et le remplacer par un puits neuf approprié. Si l'ancien puits convient, il doit être utilisé.

**Remplacement de l'Aquastat, montage sur puits**

Couper l'alimentation et déposer l'ancien régulateur. Se reporter à l'insert du couvercle de l'ancien régulateur pour identifier et étiqueter tous les fils externes au fur et à mesure de leur déconnexion. Si l'ancien puits ne convient pas au nouveau montage, le déposer et suivre les directives s'appliquant à la nouvelle installation. Si l'ancien puits convient, il doit être utilisé.

1. Desserrer, mais ne pas retirer la vis de l'attache de serrage du puits qui se trouve du côté du boîtier de commande.
2. Prendre soin de bien placer l'attache du puits d'immersion sur la bride de l'adaptateur et de serrer sa vis.
3. Mettre le capteur à l'intérieur du puits comme l'indique la Fig. 2 ou 3. (Consulter la section traitant de l'installation du capteur de rechange.)



**Fig. 3. Carte de circuit imprimé, montrant le branchement du capteur et les orifices de puits pour les modèles à montage horizontal.**

## Fusible

Le fusible d'1 A situé près du transformateur est conçu pour protéger le circuit EnviraCOM d'un câblage incorrect. L'Aquastat continue de fonctionner si le fusible brûle ou est retiré, bien qu'aucune communication EnviraCOM ne sera possible sur le bus et Err 6 sera affiché. Voir le Tableau 10.

## CÂBLAGE

### ⚠ AVERTISSEMENT

**Risque de choc électrique.  
Risque de causer des blessures graves, voire mortelles.**

Couper l'alimentation avant de raccorder le câblage pour éviter les risques de choc électrique ou l'endommagement de l'équipement.

Le câblage doit être conforme au code de l'électricité et aux règlements locaux. Respecter les spécifications énoncées dans la section Application lors du câblage de ce régulateur. Utiliser un câble homologué pour une température de 90 °C (194 °F).

### IMPORTANT

*Les bornes de ces régulateurs Aquastat sont approuvées uniquement pour une utilisation avec du câblage de cuivre.*

Suivre les schémas de câblage appropriés illustrés à l'intérieur du couvercle avant du L7224A,C; L7248A,C,L ou dans la Fig. 8-13.

Se reporter à la Fig. 6 pour savoir comment brancher le module d'eau chaude domestique et le module de réarmement d'extérieur (en option). Dans des schémas de câblage subséquents ces modules seront affichés avec une ligne pointillée indiquant qu'ils sont optionnels.

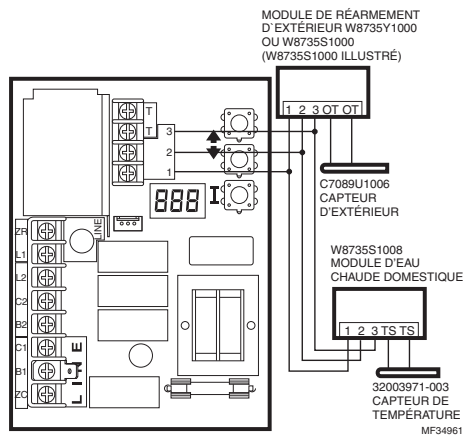


Fig. 6. Raccordement du module de réarmement d'extérieur et du module d'eau chaude domestique.

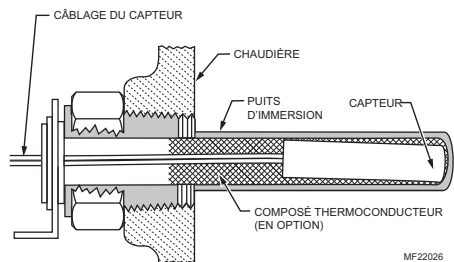


Fig. 4. Installation du capteur de recharge.

## Installation du capteur de recharge

Couper l'alimentation et :

1. Débrancher prudemment le capteur de la carte de circuit imprimé en tirant doucement sur le connecteur.
2. Sortir doucement le capteur du puits thermométrique et le passer dans la carte de circuit imprimé en tirant sur les fils de connexion.
3. Aligner prudemment le capteur de remplacement avec l'orifice de la carte de circuit imprimé et le guider dans le boîtier Aquastat et le puits. (Consulter la Fig. 5.)
4. S'assurer que le capteur repose complètement au fond du puits (consulter la Fig. 4). Utiliser un petit crayon pour mesurer la profondeur du capteur du puits, au besoin.
5. Brancher le capteur dans la carte de circuit imprimé en appuyant le connecteur du capteur dans un connecteur homologue de la carte de circuit imprimé (consulter la Fig. 5).
6. Pour les capteurs à distance (régulateurs Aquastat à montage encastré) s'assurer d'utiliser l'attache 121571AA (consulter la section traitant des accessoires) pour maintenir le capteur fermement en place.

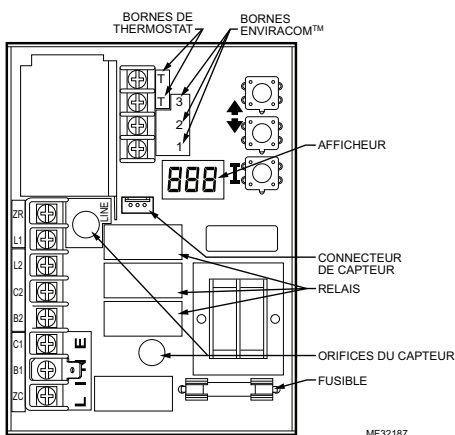


Fig. 5. Carte de circuit imprimé, indiquant la connexion du capteur et les orifices de puits pour les modèles à montage vertical.

## FONCTIONNEMENT

### Général

Les régulateurs électroniques à mazout Aquastat L7224A,C et L7248A,C,L sont principalement des limiteurs de sécurité conçus pour être utilisés avec des chaudières à mazout dotées de brûleurs tension secteur et de circulateurs. Plusieurs chaudières n'incluent pas le câblage ni les compartiments de commande dans leur conception, mais sont fournies avec un puits intégré remplaçable qui sert d'accessoire de fixation aux régulateurs Aquastat. Le câblage aux autres commandes s'effectue par un conduit métallique souple.

Pour les chaudières qui n'incluent pas une commande à distance intégrée, le câblage doit être complété par un conduit ou acheminé derrière la feuille métallique de la chaudière.

Une Haute limite électromécanique séparée n'est pas requise dans un système qui utilise ce régulateur pour répondre aux normes des Underwriters Laboratories Inc. portant sur les chaudières de mazout (UL 726).

Sur les modèles L7224, la Limite haute, la Limite basse, le Différentiel limite basse et la Temporisation anti-court cycle peuvent être réglés au paramètre recommandé par le fabricant de la chaudière. Sur les modèles L7248, la Limite haute et la temporisation anti-court cycle peuvent être réglés, voir « Réglages ».

La plage globale de Limite haute varie de 54 °C à 116 °C (130 °F à 240 °F). Certains appareils peuvent utiliser des plages différentes. Certains modèles peuvent avoir des plages limitées pour la Limite haute du point de consigne, cette plage limitée est indiquée sur l'étiquette de l'appareil.

Certains modèles disposent également d'un réglage Limite basse ou d'un Différentiel limite basse. La plage de Limite basse varie de 43 °C à 104 °C (110 °F à 220 °F). Certains appareils peuvent utiliser des plages différentes.

Le réglage Zr peut être réglé sur eau chaude domestique (DHW), zonage ou applications avec serpentins sans réservoir en fonction du L7224/L7248.

Si un module à réarmement d'extérieur est installé, la courbe de compensation peut être réglée en entrant la température extérieure minimale, la température minimale (chaudière) et une température extérieure maximale composée de trois chiffres. La plage de températures extérieures minimales varie de -40 °C à 4,4 °C (-40 °F à 40 °F) et a un réglage par défaut de -18 °C (0 °F). La plage de température extérieure maximale varie de -1,1 °C à 21,1 °C (30 °F à 70 °F), 1,1 °C to 21,1 °C) et a un réglage par défaut de 40 °F. La plage de températures minimales (eau ou chaudière) varie entre 26,7 °C à 82,2 °C (80 °F à 180 °F) et a un réglage par défaut de 130 °F. Consulter les directives d'installation « Module de réarmement d'extérieur » (formulaire 69-2335) pour plus d'information sur le réglage de la courbe de compensation de la chaudière et tous les paramètres connexes.

Les modèles L7224A,C et L7248A,C,L sont conçus pour être utilisés avec des thermostats électroniques et électromécaniques de 24 V c.a. ou des thermostats compatibles EnviraCOM™ et disposent de bornes à vis qui permettent de se brancher facilement sur le terrain.

## Réglages

Pour empêcher la modification non autorisée des réglages Aquastat, le mode de **RÉGLAGE** requiert de suivre une procédure de saisie. Pour accéder au mode **RÉGLAGE**, appuyer simultanément sur les touches **HAUT, BAS** et l pendant trois secondes (se reporter à la Fig. 5) pendant trois secondes. Appuyer sur la touche **l** jusqu'à ce que la fonction à régler s'affiche :

Tableau 3. Caractéristiques réglables.

Display	Definition
HL_	High Limit (Limite haute).
Hdf	High Limit Differential (Différentiel limite haute).
LL_	Low Limit (Limite basse). (L7224A, C)
Ldf	Low Limit Differential (Différentiel limite basse). (L7224A, C)
ELL	External Low Limit (Limite basse externe). (L7248L seulement)
duu	Entrée ZR configurée comme demande d'eau chaude domestique externe (MARCHÉ/ARRÊT) (L7224A,C/L7248L)
ASC	Anti Short-Cycle Timeout (La temporisation de commande à temps de fonctionnement minimal) (secondes); la fonction « ARRÊT » est désactivée.
otL*	Outdoor Temperature Low (Le paramètre de température minimale extérieure pour la courbe de compensation extérieure). °F ou °C
otH*	Outdoor Temperature High (Le paramètre de température maximale extérieure pour la courbe de compensation extérieure). °F ou °C
btL*	Boiler Temperature Low (Le paramètre de température minimale de la chaudière pour la courbe de compensation extérieure).
bP*	Boost Period (Période de suralimentation) (minutes). « ARRÊT » est affiché si Suralimentation est inactif.
bS*	Boost step (Étape de suralimentation indiquée seulement si Suralimentation est activée; °F ou °C; bp=MARCHE).
UUS*	Warm Weather Shutdown Temperature (Température d'arrêt par temps chaud; °F ou °C).
tPL**	Température de limite de purge thermique (°F ou °C), « ARRÊT » si désactivée
tPt**	Délai de purge thermique (minutes), uniquement affiché si tPL (limite de purge thermique) est activé
PC	Cycle de pompe (marche/arrêt)
F-C	Unités de température (°F ou °C)

\* Paramètres disponibles pour le réglage sur l'afficheur à trois chiffres seulement si le module de réarmement d'extérieur W8735Y1000 ou W8735S1000 est installé.

\*\*Les réglages ne peuvent être modifiés que lorsque le nécessaire de réarmement d'extérieur W8735Y1000 ou W8735S1000 n'est PAS installé.

Appuyer ensuite sur les touches **HAUT** (UP) et/ou **BAS** (DOWN) pour déplacer le point de consigne à la valeur désirée, pour déplacer le point de consigne à la valeur désirée, pour passer de °F et °C, ou pour activer (ON) ou désactiver (OFF) la limite basse externe. Après 60 secondes sans saisie de touches, le régulateur retournera automatiquement au mode **EXÉCUTION** (RUN).

## Afficheur

En mode **EXÉCUTION** (RUN), le régulateur Aquastat fera apparaître « bt » à l'écran (température de la chaudière) suivi par la température (c.-à-d. 220) et par °F ou °C.

Pour lire les réglages de chaudière, appuyer sur la touche **I** pour lire le paramètre d'intérêt. Par exemple, appuyer sur **I** et la limite haute (**HL**) s'affichera, suivi par une valeur à trois chiffres, c.-à-d. 220 suivi par °F ou °C. Le fait d'appuyer de nouveau sur la touche **I** (sur les modèles L7224) fera apparaître la valeur à trois chiffres et le dénominateur de degré. Consulter Lecture de l'affichage, Tableau 4.

Après environ 60 secondes sans appuyer sur une ou plusieurs touches, l'affichage passera en mode d'atténuation de l'affichage. Pour retourner au mode d'affichage à grande brillance, appuyer simplement sur une des touches.

**Tableau 4. Définitions de la lecture de l'affichage.**

<b>Text</b>	<b>Description</b>	<b>Display</b>
<i>Err</i>	Code d'erreur (en présence d'un code)	<i>Err</i>
<i>bT</i>	Température de la chaudière	<i>bT</i>
<i>HL</i>	Limite haute <sup>1</sup>	<i>HL</i>
<i>HdF</i>	Différentiel limite haute	<i>HdF</i>
<i>LL</i>	Limite basse (L7224 seulement)	<i>LL</i>
<i>Ldf</i>	Différentiel limite basse (L7224 seulement)	<i>LdF</i>
<i>tt</i>	État du thermostat local	<i>tt</i>
<i>ttE</i>	État du thermostat EnviraCOM	<i>ttE</i>
<i>brn</i>	Sortie B1 (brûleur) (MARCHE ou ARRÊT)	<i>brn</i>
<i>Cir</i>	Sortie C1 (circulateur) (MARCHE ou ARRÊT)	<i>Cir</i>
<i>ZC</i>	Sortie ZC (commande de zone) (MARCHE ou ARRÊT)	<i>ZC</i>
<i>Zr</i>	Appel ZR (demande de zone) de CHALEUR (MARCHE ou ARRÊT)	<i>Zr</i>
<i>ELL</i>	Limite basse externe activée (L7248L seulement)	<i>ELL</i>
<i>duu</i>	ZR configurée comme demande d'eau chaude domestique (L7224, L7248 seulement)	<i>duu</i>
<i>ASC</i>	Temporisation anti-court cycle	<i>ASC</i>
<i>bSP</i>	Point de consigne de la chaudière <sup>2</sup>	<i>bSP</i>
<i>dhc</i>	Module d'eau chaude domestique branché <sup>3</sup> (OUI ou NON)	<i>dhc</i>
<i>ot</i>	Température extérieure <sup>2</sup>	<i>ot</i>
<i>otL</i>	Basse température extérieure <sup>2</sup>	<i>otL</i>
<i>otH</i>	Haute température extérieure <sup>2</sup>	<i>otH</i>
<i>bTL</i>	Basse température de chaudière <sup>2</sup>	<i>bTL</i>
<i>bP</i>	Période de suralimentation <sup>2</sup>	<i>bP</i>
<i>bS</i>	Étape de suralimentation <sup>2</sup>	<i>bS</i>
<i>UUS</i>	Température d'arrêt par temps chaud <sup>2</sup>	<i>UUS</i>

<sup>1</sup> Le paramètre local s'affiche; non pas le paramètre modifié par un régulateur externe envira.com.

<sup>2</sup> Les paramètres peuvent seulement être affichés si le module de réarmement d'extérieur et le capteur de températures sont installés et fonctionnent correctement.

<sup>3</sup> Les paramètres peuvent seulement être affichés si le module d'eau chaude domestique et le capteur sont installés et fonctionnent correctement.

## Fonctionnement

Les modèles L7224 et L7248 peuvent se trouver dans un des quatre états de fonctionnement suivants : Normal, Limite haute, Limite basse et Erreur. S'il fonctionne normalement, le régulateur alterne entre la Limite haute, le Mode normal et la Limite basse. Seuls les appareils possédant des réglages haute limite sont limités aux états Haute limite et Normal. Par contre, le régulateur passera à l'état Erreur en présence d'une situation anormale.

États de fonctionnement :

1. Normal : La température de la chaudière est passée sous le réglage Limite haute (moins le différentiel) et n'a pas dépassé le réglage Limite haute; ou, la température de la chaudière est passée au-dessus du réglage Limite basse et n'a pas chuté sous le réglage Limite basse (moins le différentiel); ou l'entrée ZR n'est pas alimentée par une tension de 120 V c.a. (seulement L7248L avec l'ELL placé à Marche).
2. High Limit (Limite haute) : La température de la chaudière a dépassé le réglage Limite haute et n'a pas chuté sous le réglage Limite haute (moins le différentiel).
3. Low Limit (Limite basse) : La température de la chaudière est passée sous le réglage Limite basse (moins le différentiel limite basse) et n'a pas dépassé le réglage Limite basse; ou l'entrée ZR est alimentée par une tension de 120 V c.a. (seulement L7248L avec l'ELL réglé à Marche).
4. Error (Erreur) : Une erreur a été détectée par le régulateur (p. ex. capteur ouvert) et a coupé la sortie du brûleur. La sortie ZC est activée. Le régulateur continue de surveiller le système et redémarre automatiquement si l'erreur disparaît. Se reporter au Tableau 7.

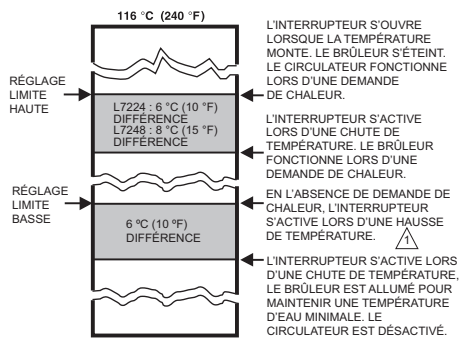
La séquence de fonctionnement des modèles L7224/L7248 est illustrée dans les Tableau 6 à 9.

### Régulateur Limite haute

La Limite haute ouvre et coupe le circuit du brûleur lorsque la température augmente jusqu'au point de consigne. La Limite haute se remet automatiquement en circuit lorsque la température de l'eau chute sous le point de consigne et par l'intermédiaire du différentiel. Le Différentiel limite haute des modèles L7248 est pré-réglé à 8 °C (15 °F). Le Différentiel limite haute des modèles L7224 est pré-réglé à 6 °C (10 °F).

### Régulateur de Limite basse et de circulateur

Lorsque la température monte et que le réglage du différentiel est placé par défaut à 6 °C (10° F), le circuit du brûleur est coupé et le circuit du circulateur utilise le point de consigne Basse limite (en l'absence de demande de chaleur). Lorsque la température chute de 6 °C (10 °F) sous le point de consigne Limite basse, le circuit du brûleur se déclenche et le circuit du circulateur se coupe. Voir la Fig. 7.



▲ LORSQUE L'EAU ATTEINT LE RÉGLAGE LIMITE BASSE, LE BRÛLEUR SE COUPE OU LA POMPE DE CIRCULATEUR DÉMARRE (LORS D'UNE DEMANDE DE CHALEUR).

MF23364

Fig. 7. Points de consigne et différentiels.

### Fonction Anti-court cycle

La fonction Anti-court cycle permet de sélectionner sur site un délai de temporisation entre les cycles de brûleur. Si une demande de chaleur est faite après la fin du cycle de chaleur précédent et avant l'expiration de la temporisation de l'Anti-court cycle, le circulateur pourra fonctionner, mais le brûleur sera coupé jusqu'à ce que le délai soit expiré. La plage de temporisation anti-court cycle varie de la position OFF (arrêt) à 5 minutes.

REMARQUE : Cette fonction est bloquée lorsqu'il y a une demande d'eau chaude domestique. Les demandes d'eau chaude domestique sont traitées immédiatement, sans délai.

REMARQUE : Lorsque l'Aquastat est branché au régulateur primaire et/ou au thermostat par l'intermédiaire du bus EnviraCOM, la durée de l'Anti-court cycle ne s'applique pas aux événements de recyclage comme une perte d'écoulement d'air ou de flammes. Il s'applique seulement à la perte de demande.

### ZR - Demande d'eau chaude domestique

La borne ZR peut être sélectionnée pour répondre à une demande indirecte du chauffe-eau. Ce paramètre est réglé par l'intermédiaire d'un affichage à trois chiffres (voir la section du présent document traitant des réglages). Une demande de chaleur faite par l'intermédiaire de la borne ZR a priorité sur d'autres fonctions comme la fonction Anti-court cycle ou celles activées par le module de réarmement d'extérieur (consulter le formulaire no 69-2335EFS pour obtenir de plus amples renseignements).

### Protection contre le gel

La fonction de protection contre le gel protège la chaudière et potentiellement ses conduits de dommages pouvant avoir lieu lorsque l'eau dans le système commence à geler. La fonction de protection contre le gel est uniquement activée sur le modèle L7248 (modèles avec démarrage à froid). Le réglage par défaut est activé (marche) mais peut être désactivé en utilisant l'afficheur à 3 chiffres. Voir le Tableau 3.

Lorsque la température de la chaudière tombe en dessous de la limite de température de protection contre le gel (fixée à 40 °F), le brûleur se met en marche forcée. Les sorties Circulateur et ZC sont les mêmes qu'avant que la fonction de protection contre le gel n'ait été activée. Elles peuvent être sur Marche ou Arrêt durant le cycle de protection contre le gel.

Lorsque la température de la chaudière atteint la limite de température de protection contre le gel plus un différentiel de 10 °F fixe, le brûleur s'éteint à moins qu'il ne doive rester allumé en raison d'une autre demande.

## Fonctionnement de la purge thermique

La fonction de la purge thermique est d'assurer qu'une chaleur résiduelle utilisable circule dans la chaudière jusqu'à ce qu'elle soit suffisamment évacuée du système avant que le brûleur ne puisse s'allumer. À cette fin, sur l'appel de chauffage, le brûleur ne s'allume pas pendant que le circulateur tourne jusqu'à ce que la température de la chaudière tombe en deçà de la température de purge thermique ou jusqu'à ce que le délai ait pris fin. Ces deux paramètres peuvent être modifiés. Lorsque la température de la chaudière atteint la température de purge thermique, le brûleur peut s'allumer. La purge

thermique n'est appliquée que sur les modèles Aquastat avec démarrage à froid (L7248) et n'interfère pas avec les demandes en eau chaude domestique ou les chauffe-eau équipés d'accessoires à réarmement extérieur de Honeywell. Pour les modèles à démarrage à chaud où une limite basse doit être définie, la purge thermique n'est pas appliquée.

En plus des paramètres de température et de délai de purge thermique, deux autres conditions annulent la purge thermique de l'Aquastat pour maintenir le confort de l'espace :

- La température de la chaudière a chuté de 10 °F depuis le début de la purge thermique.
- La température de la chaudière refroidit à un taux supérieur à 5 °F/minutes pendant que le circulateur est en marche.

La fonction de purge thermique est disponible pour les applications à zone unique ainsi qu'à plusieurs zones.

## Réglages de la purge thermique

Certains paramètres de purge thermique sont configurables avec l'afficheur à trois chiffres. Voir « Réglages » à la page 5. La purge thermique peut être désactivée en réglant la limite de température de purge thermique sur Arrêt.

Tableau 5. Réglages de la purge thermique.

Nom du paramètre	Valeur minimale	Valeur maximale	Défaut
Chute de la température de la chaudière	Non réglable	Non réglable	10 °F
Limite de température de purge thermique	120 °F (ou Arrêt)	160 °F	140 °F (L7248)
Taux de chute de température de purge thermique	Non réglable	Non réglable	5 °F/minute
Délai de purge thermique	1 minute	10 minutes	2 minutes

## Purge thermique et eau chaude domestique

La fonction de purge thermique est automatiquement désactivée en cas d'appel d'eau chaude domestique, ou bien de la borne Zr ou bien du module d'eau chaude domestique pour garantir que de l'eau chaude est disponible en temps voulu. Consulter « ZR - Demande d'eau chaude domestique » à la page 7.

## Cycle de la pompe

La fonction de cycle de la pompe actionne la pompe du système pendant 15 secondes après une période de cinq jours non réglable sans aucune activité de la pompe. Le réglage par défaut de la fonction de cycle de la pompe est activé (marche) mais peut être désactivé (arrêt) en utilisant l'afficheur à 3 chiffres. Voir le Tableau 3.

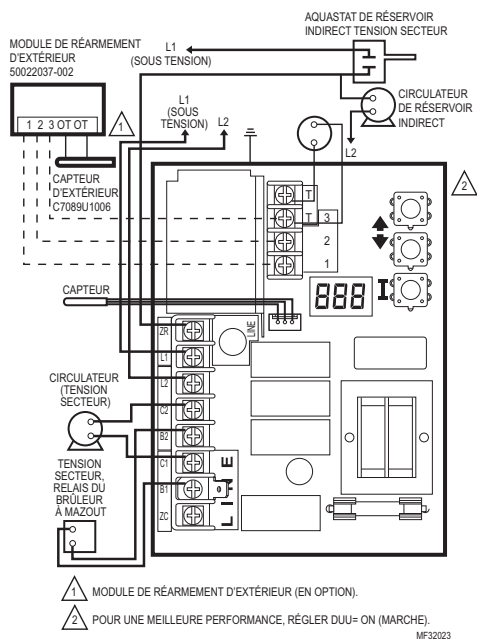
## VÉRIFICATION

Mettre le système en marche et observer au moins un cycle complet pour s'assurer que le régulateur fonctionne correctement. Consulter la section DÉPANNAGE pour utiliser des DEL pour vous aider à vérifier le fonctionnement du système.

## DÉPANNAGE

Lors de la tentative de diagnostic de la performance du système, la référence de l'affichage DEL peut vous aider à identifier les secteurs spécifiques qui ne fonctionnent pas. Le message **Err** défilera dans l'affichage DEL suivi d'un chiffre (1-8). Se reporter aux Tableaux 10 et 11 pour obtenir une description de chaque erreur et des actions suggérées.





**Fig. 8. Système à zone de chauffage unique avec circulateurs et réservoir d'eau indirect L7224A,C; L7248L. Module de réarmement d'extérieur facultatif.**

Table 6. L7224/L7248 séquence de fonctionnement du régulateur.

Action	Réponse système
Le thermostat fait une demande de chaleur.	Le circulateur se met en marche lorsque la température de l'eau est supérieure au réglage limite basse (le cas échéant) ou supérieure à la limite de température de purge thermique (tPL) si la purge thermique est activée. La température de la chaudière est vérifiée. Le brûleur se met en marche lorsque la température de l'eau est inférieure au réglage limite haute moins le différentiel ou égale ou inférieure à la limite de température de purge thermique (tPL) pour les chaudières à démarrage à froid si la limite de température de purge thermique est activée. Si tPL est activée, le brûleur peut également se mettre en marche si la température de la chaudière refroidit à 10 °F ou plus par minute ou si le délai de purge thermique (tPt) a expiré. Si la fonction Temporisation anti-court cycle est activée, le brûleur ne démarre pas avant que la Temporisation anti-court cycle entre les cycles expire une fois la demande en chaleur satisfaite.
La température de la chaudière dépasse la Limite haute.	Le brûleur est éteint. Le brûleur redémarre lorsque la température de l'eau chute sous le réglage Limite haute moins le différentiel. Si la purge thermique est activée, le brûleur est allumé lorsque la limite de température de purge thermique est atteinte, le délai de purge thermique a expiré ou le taux de refroidissement de la température de la chaudière dépasse 10 °F/minute.
Le thermostat est satisfait.	Le circulateur et le brûleur s'éteignent.
La température de la chaudière chute sous le réglage de Limite basse moins le différentiel (si applicable).	Le brûleur est allumé, le circulateur est éteint. Le brûleur cesse de fonctionner lorsque la température de l'eau dépasse le réglage Limite basse. Le courant à la borne Zc est coupé..
Situation d'erreur 1-5.	Si une situation d'erreur est détectée, toutes les sorties, sauf la sortie ZC, sont coupées. Le brûleur est éteint. La commande continue de fonctionner et redémarre une fois l'erreur corrigée. Durant la séquence de vérification des erreurs, le système s'assure de l'absence de dérive dans le capteur et de corrosion dans les connexions.
Situation d'erreur 6.	La communication EnviraCOM n'est pas disponible.
Situation d'erreur 7.	Le régulateur a réinitialisé les réglages Limite haute, Limite basse et Différentiel à une valeur par défaut et continuera d'utiliser ces réglages pendant le fonctionnement. La performance du système sera dégradée.
Situation d'erreur 8.	Si la situation d'erreur est détectée, toutes les sorties, sauf la sortie ZC, sont coupées. Le brûleur est éteint. Le régulateur continue de fonctionner et redémarre lorsque les trois touches utilisateur sont enfoncées pendant plus de 60 secondes.
Situation d'erreur 9*.	Le système continue de fonctionner sans fonctionnalité de réarmement d'extérieur
Situation d'erreur 10*.	Le système continue de fonctionner en utilisant les paramètres de réarmement d'extérieur activés lors de la programmation. Le code d'erreur s'efface automatiquement.
Situation d'erreur 11*.	Le système continue de fonctionner avec la température de chaudière réglée à Limite haute.

\* Situation d'erreur seulement disponible lorsque le module de réarmement d'extérieur est installé.

**Table 7. L7224/L7248 séquence de fonctionnement du régulateur avec des zones multiples branchées par l'intermédiaire de la borne ZR.**

Action	Réponse du système
La borne de demande de zone (ZR) est branchée au L1 (demande de chaleur par la zone).	La température de la chaudière est vérifiée. Le brûleur se met en marche lorsque la température de l'eau est inférieure au réglage limite haute ou égale ou inférieure à la limite de température de purge thermique (tPL) pour les chaudières à démarrage à froid si la limite de température de purge thermique est activée. Si tPL est activée, le brûleur peut également se mettre en marche si la température de la chaudière refroidit à 10 °F ou plus par minute ou si le délai de purge thermique (tPt) a expiré. La Temporisation anti-cycle court est utilisée, consulter le Tableau 6.
La température de la chaudière dépasse la Limite haute.	Le brûleur est éteint. Le brûleur redémarre lorsque la température de l'eau chute sous le réglage Limite haute moins le différentiel. Si la purge thermique est activée, le brûleur est allumé lorsque la limite de température de purge thermique est atteinte, le délai de purge thermique a expiré ou le taux de refroidissement de la température de la chaudière dépasse 10 °F/minute.
L'entrée Demande de zone est désactivée (les zones sont satisfaites).	Le brûleur s'éteint.
La température de la chaudière chute sous le réglage Limite basse moins le différentiel (le cas échéant).	Le brûleur s'allume et le régulateur de zone est désactivé. Le brûleur s'éteint et le régulateur de zone se réactive lorsque la température de l'eau dépasse le réglage Limite basse.

**Table 8. Séquence de fonctionnement du régulateur avec l'appareil Basse limite externe branché par l'intermédiaire de la borne ZR.**

Action	Réponse du système
La borne de demande de zone (ZR) est branchée au L1 (demande de chaleur par la Limite basse externe).	La température de la chaudière est vérifiée. Le brûleur démarre lorsque la température de l'eau chute sous le réglage Limite haute. Le circulateur s'éteint.
La température de la chaudière dépasse la Limite haute.	Le brûleur est éteint. Le brûleur redémarre lorsque la température de l'eau chute sous le réglage Limite haute moins le différentiel.
L'entrée Demande de zone est désactivée (la Limite basse externe est satisfaite).	Le brûleur est éteint.

**Table 9. L7224, séquence de fonctionnement du régulateur avec l'eau chaude domestique branchée par l'intermédiaire de la borne ZR.**

Action	Réponse du système
La borne Demande de zone (ZR) est branchée à L1 (demande de chaleur pour l'eau chaude domestique).	La température de la chaudière est vérifiée. Le brûleur démarre lorsque la température de l'eau chute sous le réglage Limite haute.
La température de la chaudière dépasse la Limite haute.	Le brûleur est éteint. Le brûleur redémarre lorsque la température de l'eau chute sous le réglage Limite haute moins le différentiel.
L'entrée Demande de zone est désactivée (la demande en eau chaude domestique est satisfaite).	Le brûleur est éteint.

Table 10. Codes d'erreur DEL.

Code d'erreur Aquastat	Cause/Action	Alarme EnviraCOM™
Err1	Défaillance du capteur Aquastat; vérifier le capteur d'eau.	18
Err2	Défaillance ECOM; vérifier le câblage EnviraCOM™.	18
Err3	Interférences électriques excessives ou fréquence hors plage. Défaillance du matériel; remplacer le régulateur.	18, 58
Err4	Défaillance B1; vérifier le câblage B1/la tension.	64
Err5	Basse tension; vérifier L1-L2, 110 V c.a.	59
Err6 <sup>a</sup>	Avertissement : Fusible; vérifier les fils ECOM; remplacer le fusible.	92
Err7	Avertissement : EEPROM, HL, LL, HdF, LdF; réinitialisation aux valeurs par défaut.	N/A
Err 8 <sup>b</sup>	Défaillance B1 répétée (tension présente à B1 lorsque l'entrée est désactivée); vérifier le câblage/la tension à B1.	25
Err9 <sup>a</sup>	Avertissement : Défaillance du système de réarmement d'extérieur; communication perdue au module de réarmement d'extérieur, Défaillance du module de réarmement d'extérieur, détection de plusieurs capteurs de température extérieure sur le bus, ou défaillance du capteur de température extérieure. Vérifier le câblage EnviraCOM (1,2,3), vérifier le câblage du capteur.	50, 53, 149
Err 10 <sup>a</sup>	Avertissement : Défaillance de la suralimentation; mode de suralimentation actif au moins une fois par cycle pour les 60 derniers cycles consécutifs. Vérifier les réglages de la courbe de compensation extérieure.	150
Err 11 <sup>a</sup>	Défaillance du module d'eau chaude domestique/capteur; communication perdue vers le module d'eau chaude domestique, défaillance du module d'eau chaude domestique ou défaillance du capteur de température. Vérifier le câblage EnviraCOM (1,2,3), vérifier le câblage du capteur.	146, 147, 148

<sup>a</sup> Des avertissements sont générés pour indiquer que le système ne fonctionne pas de manière optimale; l'Aquastat continue néanmoins de fonctionner et de maintenir la température de la chaudière. Dans l'éventualité où un module de réarmement d'extérieur serait utilisé, les avertissements peuvent indiquer une situation d'erreur relative au réglage de la courbe de compensation, un fonctionnement non optimal de plusieurs fonctions, une utilisation des réglages par défaut de l'Aquastat ou une non exécution des algorithmes de réarmement d'extérieur. Les avertissements sont effacés une fois le(les) problème(s) résolu(s).

<sup>b</sup> Pour effacer le code d'erreur Err 8, appuyer simultanément sur les trois touches utilisateur et les maintenir enfoncées pendant 60 secondes. Le code d'erreur Err 8 s'efface et l'affichage retourne à la normale. Le code d'erreur Err 8 sert à déceler les relais soudés sur l'Aquastat et n'affiche habituellement qu'à la fin de la durée de vie du régulateur. Si le code d'erreur Err 8 s'affiche prématurément (avec des régulateurs pratiquement neufs), s'assurer de vérifier la réaction de tension au B1 lorsque le B1 devrait être coupé, puis de vérifier l'appel de courant à la borne b pour vous assurer que le brûleur à mazout ne consomme pas trop de courant. Le code d'erreur Err 8 continuera de s'afficher si la défaillance B1 n'est pas effacée.

Table 11. Guide de dépannage.

Condition du système	Condition liée au diagnostic	Vérifier	Action
La chaudière est froide, la maison est froide.	L'afficheur est ÉTEINT.	Alimentation du système, 100 V c.a.	Mettre le système en marche.
	L'afficheur est ALLUMÉ.	24 V c.a. T-T	Absence de 24 V; remplacer le régulateur.
		Présence de 24 V; débrancher le thermostat, court-circuit au T-T.	La chaudière démarre, vérifier le câblage et le thermostat.
		120 V c.a. à B1-B2	<ul style="list-style-type: none"> <li>• Dans la négative, remplacer le régulateur.</li> <li>• Dans l'affirmative, vérifier le brûleur et le câblage.</li> </ul>
		Se reporter à <b>Err</b> sur l'afficheur.	—

Table 11. Guide de dépannage.

Condition du système	Condition liée au diagnostic	Vérifier	Action
La chaudière est chaude, la maison est froide.	L'afficheur est ALLUMÉ.	120 V c.a. à C1-C2	<ul style="list-style-type: none"> <li>• 120 V c.a. à C1-C2, vérifier le câblage vers la pompe.</li> <li>• Le câblage est en bon état, la pompe fonctionne-t-elle?</li> <li>• Dans la négative, remplacer la pompe.</li> <li>• Si la pompe fonctionne, s'assurer de l'absence d'air emprisonnée ou de vannes de zone fermées.</li> </ul>
		La chaudière se trouve sous la température Limite basse, attendre que la chaudière se trouve au-dessus de la température Limite basse.	—
		Chaudière au-dessus de la LL (Limite basse)? Dans l'affirmative, s'assurer que la tension est de 120 V c.a. entre le ZC et le L2.	<ul style="list-style-type: none"> <li>• En l'absence d'une tension de 120 V c.a., remplacer le régulateur.</li> <li>• Dans l'affirmative, vérifier les relais de zone, les circulateurs et le câblage.</li> </ul>
		Réglages ELL (L7248L seulement)	<ul style="list-style-type: none"> <li>• Régler l'ELL à Arrêt pour le système multizones (voir la Fig. 11).</li> <li>• Régler l'ELL à Marche pour la Limite basse externe (voir la Fig. 13).</li> </ul>
		Chaudière au-dessus de LL? Dans l'affirmative, s'assurer que la tension est de 120	<ul style="list-style-type: none"> <li>• En l'absence d'une tension de 120 V c.a., vérifier C1-C2 (voir au-dessus)</li> <li>• Dans l'affirmative, vérifier la régulateur Limite basse externe.</li> </ul>
La chaudière est chaude, sans eau chaude potable.	L'afficheur est ALLUMÉ.	Signal de demande de la chaudière provenant du chauffe-eau (120 V c.a. à ZR-L2 ou 0 V c.a. sur T-T; dépend de l'installation et du réglage « duu »)	<ul style="list-style-type: none"> <li>• 24 V c.a. sur T-T (ou 0 V c.a. sur ZR-L2), vérifier le câblage au chauffe-eau</li> <li>• Câblage OK, vérifier le chauffe-eau</li> </ul>
		Réglage « duu »	<ul style="list-style-type: none"> <li>• Régler duu sur Marche si la demande 120 V c.a. du chauffe-eau est connectée à ZR</li> <li>• Régler duu sur Arrêt si la demande ouvert/fermé du chauffe-eau est connectée à T-T</li> </ul>
		Vérifier le module et le capteur d'eau chaude domestique	<ul style="list-style-type: none"> <li>• Le module d'eau chaude domestique est mal branché et/ou le capteur est mal positionné</li> </ul>

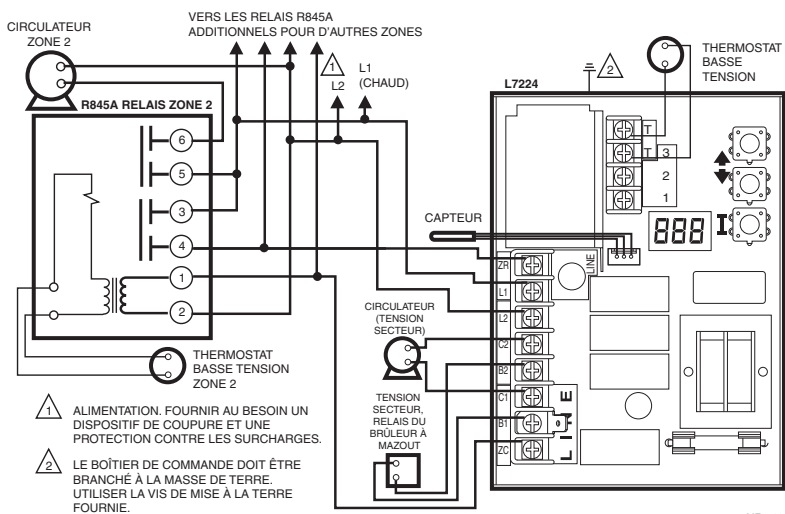
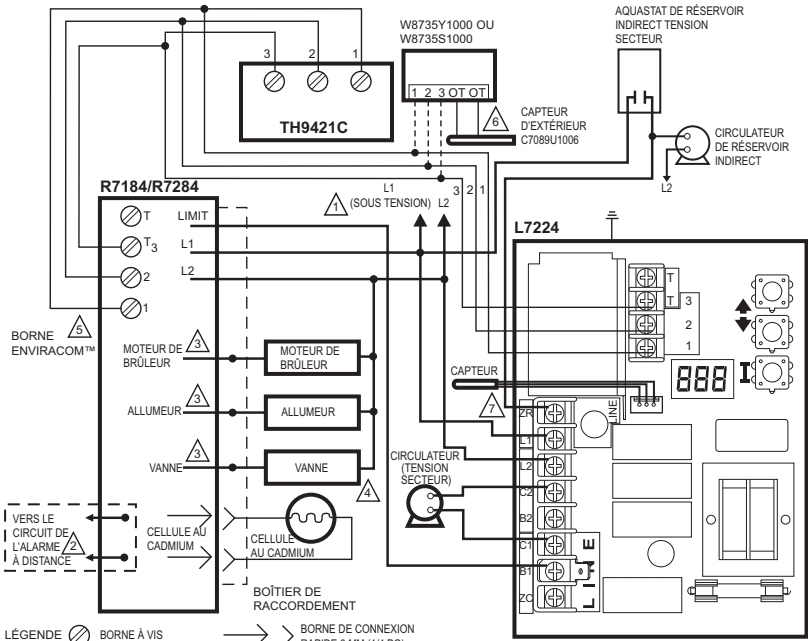


Fig. 9. L7224A,C système multizones avec connexions du circulateur.



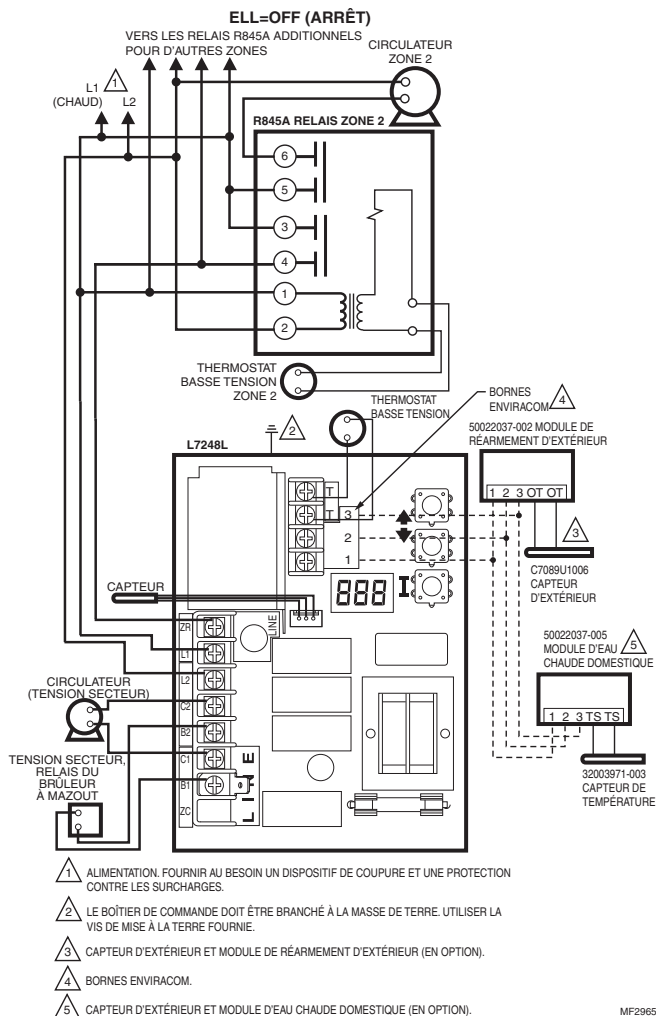
LÉGENDE BORNE À VIS BORNE DE CONNEXION RAPIDE 6 MM (1/4 PO)  
 CONNEXION DE FIL SANS SOUDURE

- ALIMENTATION. ASSURER AU BESOIN UN DISPOSITIF DE COUPURE ET UNE PROTECTION CONTRE LES SURCHARGES.
- FONCTION EN OPTION SUR DES MODÈLES SÉLECTIONNÉS.
- SE REPORTER À L'ÉTIQUETTE DE L'APPAREIL POUR CONNAÎTRE LE CODE DE COULEUR DE FIL.

- LA VANNE EST OPTIONNELLE POUR LES MODÈLES SPÉCIFIÉS.
- LA BORNE ENVIRACOM™ 3 EST ÉGALEMENT LA PREMIÈRE BORNE DU THERMOSTAT.
- CAPTEUR D'EXTÉRIEUR ET MODULE DE RÉARMEMENT D'EXTÉRIEUR EN OPTION. MODULE DE RÉARMEMENT D'EXTÉRIEUR AVEC FIL W8735S1000 ILLUSTRÉ.
- DUJ DOIT ÊTRE RÉGLÉ SUR MARCHÉ SUR L'AQUASTAT.

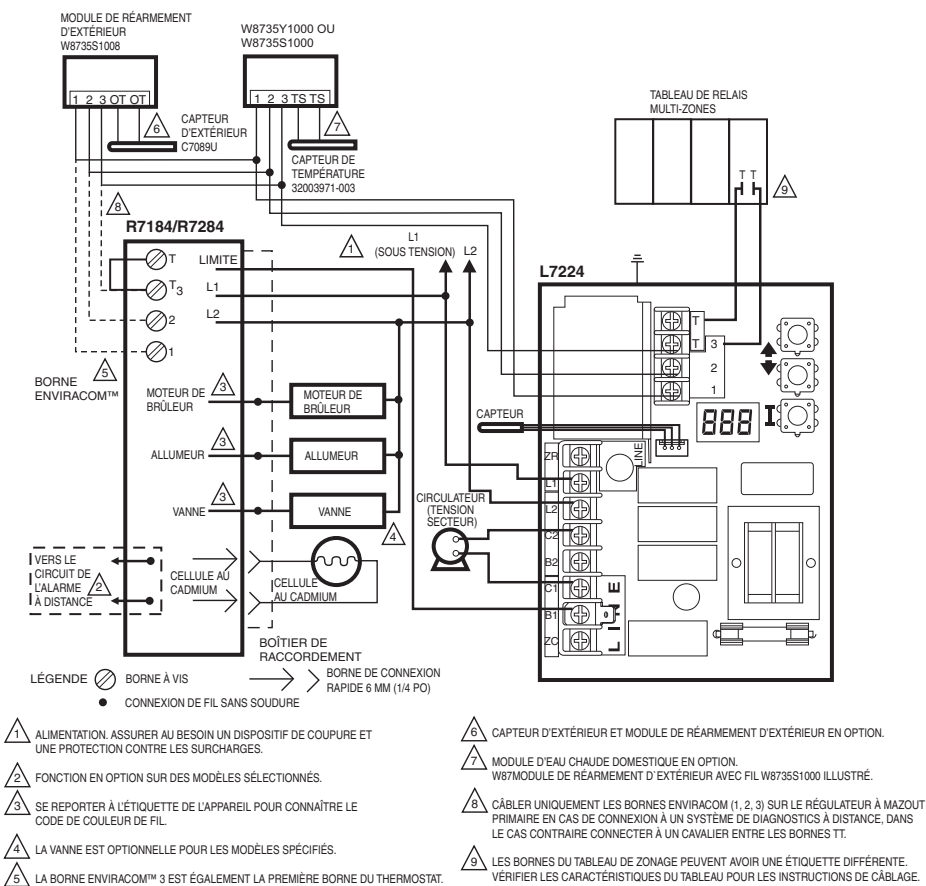
MF32025A

**Fig. 10. Système à zone unique L7224A,C avec circulateur et réservoir d'eau indirect avec thermostat EnviraCOM™.**

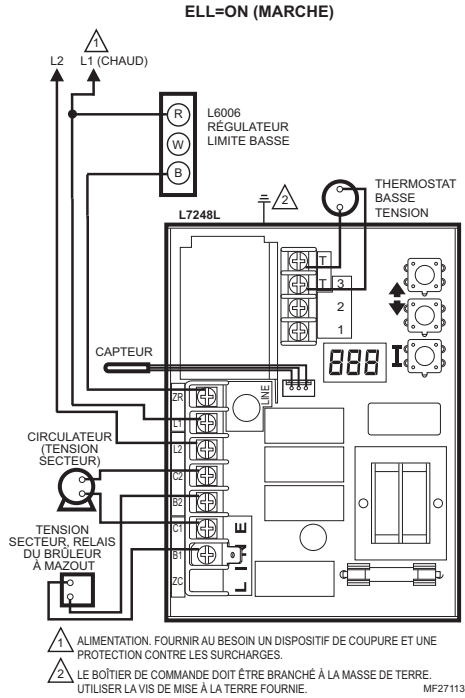


**Fig. 11. L72281 système multizones avec connexions du circulateur.**





**Fig. 12. Système multizones L7224/L7248 avec modules de réarmement d'extérieur et d'eau chaude domestique (applications à réservoir indirect).**



**Fig. 13. L7248L Connexions limite basse externe.**

**Solutions de régulation et d'automatisation**

Honeywell International Inc.  
 1985 Douglas Drive North  
 Golden Valley, MN 55422  
 customer.honeywell.com



© Marque de commerce déposée aux États-Unis  
 © 2013 Honeywell International Inc.  
 Tous droits réservés  
 68-0281EFS—07 M.S. Rev. 10-13  
 Imprimé aux États-Unis

# Controladores electrónicos Aquastat® L7224A,C; L7248A,C,L para caldera de aceite o eléctrica

## INSTRUCCIONES DE INSTALACIÓN

### APLICACIÓN

Los controladores electrónicos Aquastat® L7224A,C y L7248A,C,L que cumplen con las regulaciones 2012 proporcionan detección electrónica de la temperatura en un controlador de límites especificados por UL con una sola sonda detectora. El L7224A, C y el L7248A, C, L controlan el circulador, el quemador o el contactor de aceite o eléctrico y la temperatura de la caldera. El L7224/L7248 es apto para el "Reinicio de temperatura exterior", que se habilita cuando está conectado al kit de reinicio exterior W8735Y1000 inalámbrico o al W8735S1000 cableado. El reinicio exterior del L7224/L7248 está destinado para todas las aplicaciones, excepto para sistemas de serpentín sin tanque para agua caliente doméstica. El cumplimiento con la regulación 2012 del DOE (Departamento de Energía de Estados Unidos) garantiza máxima eficacia sin interferir con las exigencias de agua caliente doméstica.

Los modelos L7224A,C y L7248A,C,L reemplazan a los controladores L8124A, L8124C, L7124A,C, L7148A y L8148A. Los controles de la serie L7224A,C y L7248A,C,L muestran el estatus y la información de diagnóstico mediante un visualizador LED combinado con luces LED, así como también con termostatos de comunicación habilitados con EnviraCOM™ y herramientas de diagnóstico, para mejorar el proceso de diagnóstico.

Los controladores Aquastat L7224/L7248 están destinados para uso en aplicaciones de tipo residencial.

#### IMPORTANTE

*El uso del reinicio de temperatura exterior en una aplicación de serpentín sin tanque, que requiere una configuración de límite mínimo, provocará una disminución en la efectividad y la eficiencia del sistema.*

### ESPECIFICACIONES

#### Clasificación eléctrica:

Voltaje: 120 V CA, 60 Hz.

Alimentación eléctrica: máximo de 7 VA a 120 V CA más cargas externas.

Corriente del termostato: 100 mA nominal a 24 V CA.

Relé del quemador:

7,4 A a 120 V CA a plena carga;

aflujo de corriente de 44,4 A, amperaje con rotor bloqueado;

Carga menor de encendido: 360 VA.

Relé del quemador:

7,4 A a 120 V CA a plena carga; aflujo de corriente de 44,4 A, amperaje con rotor bloqueado.

Controlador de zonas (ZC): 7,4 A a 120 V CA a plena carga;

aflujo de corriente de 44,4 A, amperaje con rotor bloqueado.

**NOTE: todas las cargas combinadas no pueden exceder los 2000 VA.**

#### Parámetros ambientales:

Temperatura: -30 °F a +150 °F (-34 °C a +66 °C).

Humedad: 0 a 95% de humedad relativa, sin condensación.

#### Aprobaciones:

Reconocimiento de los componentes por parte de Underwriters Laboratories Inc.

Reconocimiento de los componentes por parte de Canadian Underwriters Laboratories Inc.

## Cumplimiento y funcionamiento de acuerdo con el DOE 2012

El funcionamiento de este controlador puede retardar el funcionamiento del quemador mientras el calor residual circula por fuera de la caldera.

**NOTA:** Este funcionamiento puede ser diferente de las revisiones electrónicas anteriores del Aquastat®, las cuales no tenían la purga térmica implementada.

**Accesorios:**

Kit inalámbrico de reinicio exterior W8735Y1000  
 Módulo de reinicio inalámbrico exterior W8735ER1000  
 Sensor inalámbrico de temperatura exterior C7089R1013 (necesita W8735ER1000)  
 Kit de reinicio exterior AquaReset™ W8735S1000 (incluye el módulo de reinicio exterior 50022037-002 y el sensor de temperatura exterior C7089U1006).  
 Kit para agua caliente doméstica AquaReset™ W8735S1008 (incluye el módulo para agua caliente doméstica 50022037-005 y el sensor 32003971-003).  
 Módulo de alarma EnviraCOM™ W8735S3000  
 Sensor de temperatura exterior C7089U1006 (utilizado con el 50022037-002).  
 Sensor de temperatura 32003971-003 (utilizado con el 50022037-005).  
 Sensor (consulte la Tabla 2).  
 Compuesto conductivo de calor 126050.  
 Abrazadera del cilindro para sensor 121371AA.

# INSTALACIÓN

## Quando instale este producto...

1. Lea detenidamente estas instrucciones. De no seguir las, se podría dañar el producto o provocar una situación peligrosa.
2. Verifique los valores nominales en el producto y en las instrucciones, para asegurarse de que el producto sea adecuado para la aplicación.
3. El instalador debe ser un técnico de servicio capacitado y experimentado.
4. Después de terminar la instalación, verifique el funcionamiento del producto tal como se indica en estas instrucciones.
5. Ajuste el límite máximo, el límite mínimo y el diferencial del límite mínimo según las configuraciones recomendadas por el fabricante del equipo original (OEM) de la caldera.
6. Registre la configuración máxima del límite máximo del controlador reemplazado en el cuadro de texto incluido en la etiqueta del inserto de la cubierta.
7. Registre la configuración del límite máximo al momento de la instalación en el cuadro de texto incluido en la etiqueta del inserto de la cubierta.



## ADVERTENCIA

**Peligro de descarga eléctrica. Puede causar lesiones graves, muerte o daño a la propiedad.**  
 Desconecte el suministro eléctrico antes de comenzar la instalación para evitar descargas eléctricas o daños al equipo.

## Montaje

Los modelos L7224A,C y L7248A,C,L están disponibles para montaje en cilindro, en posición horizontal o vertical o montaje a ras en un área remota con respecto a las versiones con cilindro. Las dimensiones para las diferentes opciones de montaje se muestran en la Fig. 1. Observe que cada identificación tendrá solo una opción de montaje.

**Tabla 1. Cilindros para los controladores L7224A,C; L7248A,C,L.**

Número de pieza	Tamaño de la espita en pulgadas (mm)	Inserción en pulgadas (mm)	Aislamiento en pulgadas (mm)
123869A	1/2 (12,7) NPT	3 (76,2)	1-1/2 (38,1)
123870A	3/4 (19,05) NPT	3 (76,2)	1-1/2 (38,1)

**Tabla 2. Sensores para los controladores L7224A,C y L7248A,C,L.**

Número de pieza	Longitud en pulgadas (mm)	Aplicación
50001464-001	12 (304,8)	Controles con montaje en cilindro
50001464-003	24 (609,6)	Controles con montaje a ras
50001464-004	36 (914,4)	
50001464-005	48 (1219,2)	

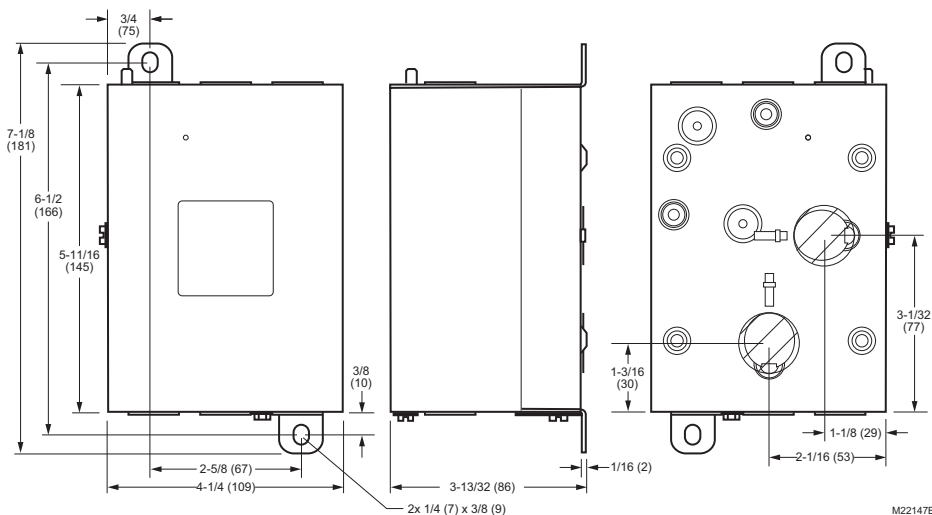


Fig. 1. Dimensiones del montaje de L7224A,C; L7248A,C,L en pulgadas (mm).

**IMPORTANTE**

*El cilindro de inmersión debe encajar en el elemento sensor y el sensor debe quedar apoyado contra la parte inferior del cilindro.*

**Instalación nueva**

Pida los ensambles de cilindros por separado; consulte la Tabla 1 y el formulario N.º 68-0040, Cilindros de inmersión y conectores de compresión para controladores de temperatura. Las calderas generalmente tienen perforaciones para que el cilindro pueda montarse en posición horizontal, de modo que el agua de la caldera que se encuentra a temperatura promedio pueda circular libremente en el cilindro.

1. Desconecte la energía eléctrica y vacíe la caldera, si corresponde.
2. Si no cuenta con una perforación, prepare una perforación con rosca de tamaño adecuado cerca de la parte superior de la caldera.
3. Cubra moderadamente las rosas del cilindro con lubricante para tuberías.

NOTA: no intente ajustar utilizando la cubierta como manija.

4. Coloque el cilindro en la perforación de la caldera y ajústelo por completo.
5. Vuelva a llenar la caldera y verifique que no haya ninguna filtración de agua.
6. Afloje, pero no quiete, el tornillo de la abrazadera del cilindro.
7. Encaje la cubierta en el cilindro de manera que la abrazadera de la cubierta se deslice sobre la brida del cilindro.
8. Ajuste bien el tornillo de la abrazadera.
9. Introduzca el elemento sensor en el cilindro hasta que toque fondo. Consulte la sección Instalación del sensor de reemplazo para obtener detalles. (Si

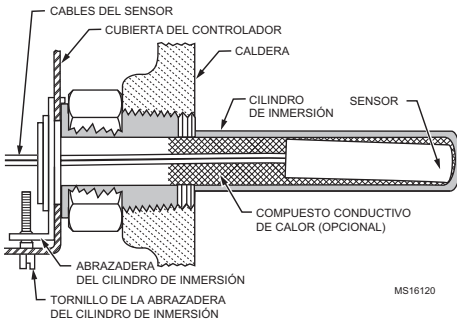
es necesario, doble un poco el cable que se encuentra dentro de la cubierta para mantener el sensor contra la parte inferior del cilindro).

10. CONECTE la energía eléctrica.
11. Ajuste el límite máximo, el límite mínimo y el diferencial del límite mínimo según las configuraciones recomendadas por el OEM de la caldera. (Vea la sección FUNCIONAMIENTO). (Consulte los pasos 6 y 7 de la sección INSTALACION).
12. En los modelos L7248L, ajuste la opción ELL (límite mínimo exterior) para que coincida con su configuración (consulte la sección FUNCIONAMIENTO y las Fig. 11 y 13).

**IMPORTANTE**

*Si utiliza un cilindro que encaje correctamente en el sensor, obtendrá una mejor respuesta térmica. Introduzca el sensor hasta que quede apoyado contra la parte inferior del cilindro. Utilice un cilindro de longitud adecuada y doble el cable, si es necesario, para mantener el bulbo contra la parte inferior del cilindro.*

*Si el cilindro no encaja bien en el sensor, utilice el compuesto conductivo de calor (incluido en los modelos TRADELINE®), tal como se indica a continuación: pliegue la bolsa de plástico del compuesto longitudinalmente y gírela suavemente. Luego, corte el extremo de la bolsa y utilice el extremo abierto de la bolsa para colocarla a lo largo de todo el cilindro. Retire lentamente la bolsa mientras la aprieta con firmeza para distribuir el compuesto de manera uniforme en el cilindro. Doble el cable, si es necesario, para mantener el sensor contra la parte inferior del cilindro y para mantener el extremo externo del sensor en contacto firme con la parte lateral del cilindro. Consulte la Fig. 2. Limpie el exceso de compuesto del extremo externo del cilindro.*



**Fig. 2. Posición del sensor en el cilindro de inmersión.**

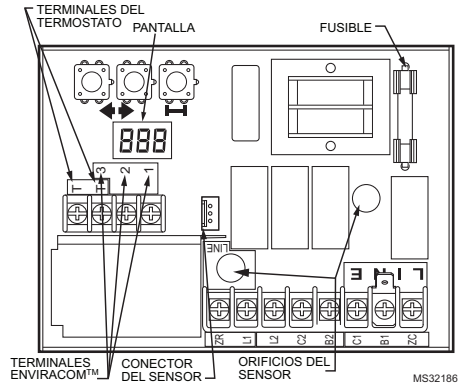
## Reemplazo del Aquastat montado a ras

Desconecte la energía eléctrica y retire el control viejo. Consulte el inserto de la cubierta del control viejo para identificar y marcar cada conductor externo a medida que se desconecten. Si el cilindro viejo no es compatible con la nueva instalación, retírelo y reemplácelo por un cilindro nuevo compatible. Si el cilindro viejo es compatible, utilícelo.

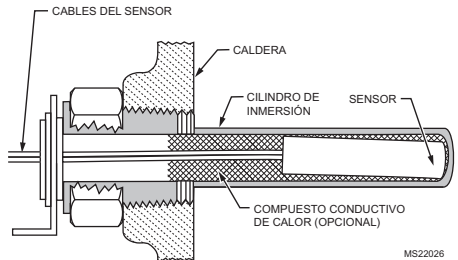
## Reemplazo del Aquastat montado en cilindro

Desconecte la energía eléctrica y retire el control viejo. Consulte el inserto de la cubierta del control viejo para identificar y marcar cada conductor externo a medida que se desconecten. Si el cilindro viejo no es compatible con la nueva instalación, retírelo y proceda con las instrucciones para la instalación nueva. Si el cilindro viejo es compatible, utilícelo.

1. Afloje, pero no quite, el tornillo de la abrazadera del cilindro que se encuentra en la parte lateral de la cubierta del control.
2. Coloque la abrazadera del cilindro de inmersión perfectamente sobre la brida del adaptador y ajuste el tornillo de la abrazadera.
3. Introduzca el sensor en el cilindro, tal como se muestra en las Fig. 2 y 3. (Consulte la sección Instalación del sensor de reemplazo para más detalles).



**Fig. 3. Circuito impreso con las conexiones del sensor y los orificios del cilindro para los modelos de montaje horizontal.**



**Fig. 4. Instalación del sensor de reemplazo.**

## Instalación del sensor de reemplazo

Desconecte la energía eléctrica y:

1. Con cuidado, desconecte el sensor del circuito impreso halando suavemente del conector.
2. Hale suavemente el sensor desde el cilindro térmico y a través del circuito impreso halándolo por los cables conductores.
3. Con cuidado, alinee el sensor de reemplazo con el orificio del circuito impreso y guíelo a través de la cubierta Aquastat y dentro del cilindro. (Consulte la Fig. 5).
4. Asegúrese de que el sensor esté completamente asentado en la parte inferior del cilindro (consulte la Fig. 4). Si es necesario, utilice un lápiz pequeño para medir la profundidad del sensor en el cilindro.
5. Para conectar el sensor al circuito impreso, presione el conector de la unidad del sensor sobre el conector de acoplamiento del circuito impreso (consulte la Fig. 5).
6. Para sensores remotos (controladores Aquastat montados a ras), asegúrese de utilizar la abrazadera 121571AA (consulte la sección Accesorios) para mantener el sensor firme en su lugar.

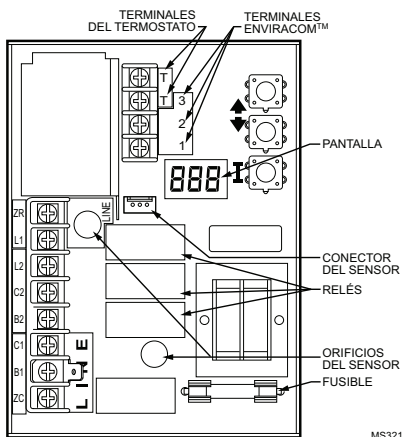


Fig. 5. Circuito impreso con las conexiones del sensor y los orificios del cilindro para los modelos de montaje vertical.

## Fusible

El fusible de 1 Amp ubicado cerca del transformador está destinado a proteger el circuito EnviraCOM del cableado incorrecto. El Aquastat continuará funcionando aunque el fusible se dispare o se retire pero no será posible la comunicación de EnviraCOM en el bus y aparecerá Err 6 en la pantalla. Consulte la Tabla 10.

## CABLEADO

### ⚠ ADVERTENCIA

**Peligro de descarga eléctrica. Puede ocasionar lesiones graves o la muerte.** Desconecte el suministro eléctrico antes de realizar las conexiones de cableado para evitar descargas eléctricas o daños al equipo.

Todo el cableado debe cumplir con las ordenanzas y los códigos eléctricos locales. No exceda las especificaciones de la sección Aplicación cuando realice el cableado de este control. Utilice cables calificados para 194 °F (90 °C) o más.

### IMPORTANTE

*Los terminales de estos controladores Aquastat están aprobados para ser utilizados únicamente con cables de cobre.*

Siga los diagramas de cableado correspondientes que figuran en el interior de la cubierta frontal de los modelos L7224A,C; L7248A,C,L o en las Fig. 8-13.

Consulte la Fig. 6 para ver las conexiones para el módulo de reinicio exterior y el módulo para agua caliente doméstica (DHW). En los diagramas de cableado subsiguientes, estos módulos se mostrarán con una línea de puntos para indicar que son opcionales.

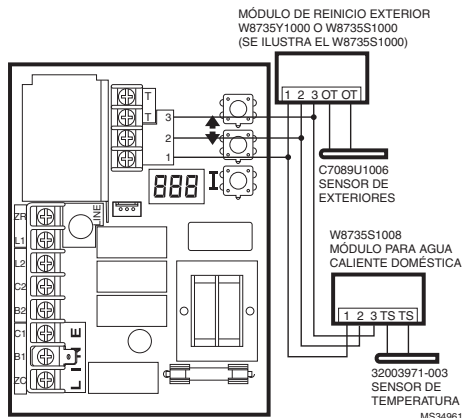


Fig. 6. Cableado del módulo de reinicio exterior y del módulo para agua caliente doméstica.

## FUNCIONAMIENTO

### General

Los controladores electrónicos de aceite L7224A,C y L7248A,C,L Aquastat son dispositivos primarios de seguridad con límite nominal diseñados para ser utilizados con calderas a aceite con quemadores y circuladores de voltaje de línea. Muchas calderas no incluyen los compartimientos para el cableado o el control como parte del diseño, pero tienen un cilindro de inmersión reemplazable e integral que funciona como accesorio de montaje para los controladores Aquastat. El cableado hacia otros controles se realiza mediante un conducto de metal flexible.

Para las calderas que incluyen un control montado de forma remota (a ras), el cableado puede completarse con un conducto o colocar detrás de la lámina de metal de la caldera.

No se requiere un límite máximo electromecánico por separado en un sistema que utilice este control a fin de cumplir con los requisitos de Underwriters Laboratories Inc. para ensambles de calderas a aceite, UL 726.

En los modelos L7224, el límite máximo, el límite mínimo, el diferencial del límite mínimo y el tiempo del ciclo anticorto pueden ajustarse a las configuraciones recomendadas por el OEM de la caldera. En los modelos L7248, el límite máximo y el tiempo del ciclo anticorto son ajustables; consulte "Ajuste de las configuraciones".

El rango general del límite máximo es de 130 °F a 240 °F (54 °C a 116 °C). Algunos dispositivos exclusivos pueden tener diferentes rangos. Algunos modelos tienen rangos limitados para el punto de referencia del límite máximo; estos rangos limitados están indicados en la etiqueta del dispositivo.

Algunos modelos también pueden ajustar el límite mínimo y el diferencial del límite mínimo. El rango del límite mínimo es de 110 °F a 220 °F (43 °C a 104 °C). Algunos dispositivos exclusivos pueden tener diferentes rangos.

La configuración Zr puede configurarse en agua caliente doméstica (DHW), las zonas o en aplicaciones de serpentín sin tanque dependiendo del L7224/L7248.

Si se instala un módulo de reinicio exterior, la curva de reinicio puede configurarse ingresando la temperatura exterior mínima, la temperatura mínima (caldera) y la temperatura exterior máxima en la pantalla de tres dígitos. El rango de la temperatura exterior mínima es de -40 °F a 40 °F (-40 °C a 4,4 °C) y tiene una configuración predeterminada de 0 °F (-18 °C). El rango de la temperatura exterior máxima es de 30 °F a 70 °F (-1,1 °C a 21,1 °C) y tiene una configuración predeterminada de 40 °F (4,4 °C). El rango de la temperatura mínima (agua o caldera) es de 80 °F a 180 °F (26,7 °C a 82,2 °C) y tiene una configuración predeterminada de 130 °F (54 °C). Consulte las instrucciones para la instalación del "Módulo de reinicio exterior" (formulario número 69-2335) para obtener más información acerca de la configuración de la curva de reinicio de la caldera y de todos los parámetros relacionados.

Los modelos L7224A,C y L7248A,C,L están diseñados para utilizarse con termostatos electromecánicos y electrónicos de 24 V CA o con termostatos habilitados con EnviraCOM™, y tienen terminales tipo tornillo para una fácil conexión en campo.

## Ajuste de las configuraciones

Para evitar cambios no autorizados de las configuraciones del Aquastat, es necesario realizar un procedimiento para ingresar al modo **ADJUSTMENT** (ajuste). Para ingresar al modo **ADJUSTMENT** (ajuste), presione simultáneamente los botones **UP** (arriba),

**DOWN** (abajo) e **I** (consulte la Fig. 5) durante tres segundos. Presione el botón **I** hasta que se muestre la función que necesita ajustar:

**Tabla 3. Características regulables.**

Display	Definition
HL_	High Limit (Límite máximo).
Hdf	High Limit Differential (Diferencial del límite máximo).
LL_	Low Limit. (Límite mínimo). (L7224A, C)
Ldf	Low Limit Differential (Diferencial del límite mínimo). (L7224A, C)
ELL	External Low Limit (Límite mínimo exterior). (L7224A,C/L7248L only)
duu	Entrada de petición de zona (ZR) configurada como petición de agua caliente doméstica (DHW) (ON [encendido]/OFF[apagado]). (L7224A,C/L7248L)
ASC	Anti Short-Cycle Timeout (Interrupción del ciclo anticorto); (segundos); "OFF" (apagado) está desactivado.
otL*	Outdoor Temperature Low (Parámetro de temperatura exterior baja [mínima] para la curva de reinicio exterior). (°F or °C).
otH*	Outdoor Temperature High (Parámetro de temperatura exterior alta [máxima] para la curva de reinicio exterior). (°F or °C).
btL*	Boiler Temperature Low (Parámetro de temperatura baja [mínima] de la caldera para la curva de reinicio exterior).
bP*	Boost Period (Período de refuerzo) (minutos). "OFF" (apagado) se muestra si el refuerzo está inactivo.
bS*	Boost step (Fase de refuerzo [°F o °C] que se muestra únicamente si el refuerzo está activo). (bP=ON (encendido))
UUS*	Temperatura de apagado en climas cálidos (°F o °C).
tPL**	Temperatura límite de purga térmica (°F o °C), "OFF" (apagado) si está deshabilitado
tPt**	Retardo de tiempo para purga térmica (minutos), mostrado solo si tPL está habilitado
PC	Ciclo de encendido/apagado (ON/OFF) de la bomba
F-C	Unidades de temperatura (°F o °C).

\* Configuraciones disponibles para el ajuste en la pantalla de tres dígitos únicamente si se instala el módulo de reinicio exterior W8735Y1000 o W8735S1000.

\*\*Configuraciones disponibles para ajuste solo cuando el kit de reinicio de exteriores W8735Y1000 o W8735S1000 NO está instalado.

Luego, presione los botones **UP** (arriba) o **DOWN** (abajo) para mover el punto de referencia hasta el valor deseado, para cambiar entre °F y °C o para activar (on) o desactivar (off) el límite mínimo exterior. Después de 60 segundos sin presionar botones, el control regresará automáticamente al modo **RUN** (ejecutar).

## Pantalla

En el modo **RUN** (ejecutar), el Aquastat mostrará "bt" (temperatura de la caldera) seguido por la temperatura (es decir, 220), seguido por °F o °C.



Para ver las configuraciones de la caldera, presione **I** para ver el parámetro que le interese. Por ejemplo, presione **I** y aparecerá el límite máximo (**HL**), seguido por un número de tres dígitos, es decir, 220, seguido por °F o °C. Si presiona nuevamente el botón **I** (en los modelos L7224), aparecerá el límite mínimo (**LL**) seguido por un número de tres dígitos y el correspondiente denominador de grados. Consulte la lectura de la pantalla, Tabla 4.

Después de, aproximadamente, 60 segundos sin presionar ninguna tecla, la pantalla entrará en el modo de pantalla tenue. Para regresar al modo de pantalla luminosa, simplemente presione cualquier tecla.

**Tabla 4. Definiciones de la lectura de la pantalla.**

<b>Texto</b>	<b>Descripción</b>	<b>La pantalla muestra</b>
<i>Err</i>	Código de error (si hubiera uno)	<i>Err</i>
<i>bT</i>	Temperatura de la caldera	<i>bT</i>
<i>HL</i>	Límite máximo <sup>1</sup>	<i>HL</i>
<i>HdF</i>	Diferencial del límite máximo	<i>HdF</i>
<i>LL</i>	Límite mínimo (únicamente en el L7224)	<i>LL</i>
<i>LdF</i>	Diferencial del límite mínimo (únicamente en el L7224)	<i>LdF</i>
<i>tt</i>	Estado del termostato local	<i>tt</i>
<i>ttE</i>	Estado del termostato EnviraCOM	<i>ttE</i>
<i>brn</i>	Salida B1 (quemador) (ON [encendido] u OFF [apagado])	<i>brn</i>
<i>Cir</i>	Salida C1 (circulador) (ON [encendido] u OFF [apagado])	<i>Cir</i>
<i>ZC</i>	Salida ZC (control de zonas) (ON [encendido] u OFF [apagado])	<i>ZC</i>
<i>Zr</i>	Orden de CALEFACCIÓN de ZR (petición de zona) (ON [encendido] u OFF [apagado])	<i>Zr</i>
<i>ELL</i>	Límite mínimo exterior habilitado (únicamente en el L7248L)	<i>ELL</i>
<i>duu</i>	Petición de zona (ZR) configurada como petición de agua caliente doméstica (únicamente en los modelos L7224, L7248L)	<i>duu</i>
<i>ASC</i>	Interrupción del ciclo anticorto	<i>ASC</i>
<i>bSP</i>	Punto de referencia de la caldera <sup>2</sup>	<i>bSP</i>
<i>dhc</i>	Módulo para agua caliente doméstica conectado <sup>3</sup> (YES [sí] o NO [no])	<i>dhc</i>
<i>ot</i>	Temperatura exterior <sup>2</sup>	<i>ot</i>
<i>otL</i>	Temperatura exterior baja <sup>2</sup>	<i>otL</i>
<i>otH</i>	Temperatura exterior alta <sup>2</sup>	<i>otH</i>
<i>bTL</i>	Temperatura baja de la caldera <sup>2</sup>	<i>bTL</i>
<i>bP</i>	Período de refuerzo <sup>2</sup>	<i>bP</i>
<i>bS</i>	Fase de refuerzo <sup>2</sup>	<i>bS</i>
<i>UUS</i>	Temperatura de apagado en climas cálidos <sup>2</sup>	<i>UUS</i>

<sup>1</sup> La pantalla muestra la configuración local; no la configuración modificada mediante un control externo envira.com.

<sup>2</sup> Las configuraciones son visibles únicamente si el módulo de reinicio exterior y el sensor de temperatura exterior están instalados y funcionan correctamente.

<sup>3</sup> Las configuraciones son visibles únicamente si el módulo para agua caliente doméstica y el sensor están instalados y funcionan correctamente.

## Funcionamiento

Los modelos L7224 y L7248 pueden encontrarse en cualquiera de los cuatro estados de funcionamiento: normal, límite máximo, límite mínimo y error. El controlador va y viene entre el estado de límite máximo y el estado normal y de límite mínimo, como parte del funcionamiento normal. Únicamente los dispositivos que tienen configuraciones de límite máximo están restringidos para el estado normal y de límite máximo. Sin embargo, el controlador ingresará en estado de error si se presenta una condición anormal. Los estados de funcionamiento son:

1. Normal: la temperatura de la caldera descendió por debajo de la configuración de límite máximo (menos el diferencial) y no superó la configuración de límite máximo; o bien, la temperatura de la caldera superó la configuración de límite mínimo y no descendió por debajo de la configuración de límite mínimo (menos el diferencial); o bien, la entrada de petición de zona (ZR) no está siendo alimentada con 120 V CA (únicamente en el L7248L con ELL [límite mínimo exterior] configurado en encendido).
2. High Limit (Límite máximo): la temperatura de la caldera superó la configuración de límite máximo y no descendió por debajo de la configuración de límite máximo (menos el diferencial).
3. Low Limit (Límite mínimo): la temperatura de la caldera descendió por debajo de la configuración de límite mínimo (menos el diferencial del límite mínimo) y no superó la configuración de límite mínimo; o bien, la entrada de petición de zona (ZR) está siendo alimentada con 120 V CA (únicamente en el L7248L con ELL [límite mínimo exterior] configurado en encendido).
4. Error: el controlador detectó una condición de error (por ejemplo, un sensor abierto) y cerró la salida del quemador. La salida del control de zonas (ZC) se activa. El controlador continúa monitoreando el sistema y automáticamente se reinicia si la condición de error desaparece.

Consulte la Tabla 7. La secuencia de funcionamiento para los modelos L7224/L7248 se muestra en la Tabla 6-9.

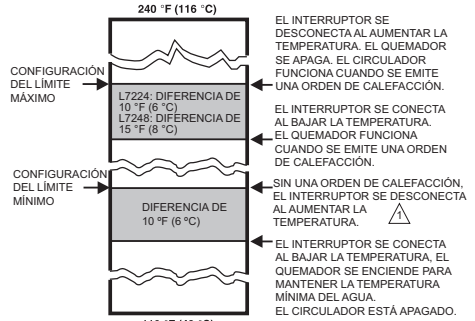
## Controlador de límite máximo

El límite máximo enciende y apaga el quemador cuando la temperatura del agua alcanza el punto de referencia. El límite máximo se reinicia automáticamente después de que la temperatura del agua desciende por debajo del punto de referencia y por el diferencial. Los modelos L7248 tienen el diferencial del límite máximo predeterminado en 15 °F (8 °C). Los modelos L7224 tienen el diferencial del límite máximo predeterminado en 10 °F (6 °C).

## Controlador de límite mínimo y circulador

Al registrarse un ascenso de temperatura, con el diferencial ajustable en la configuración predeterminada de 10 °F (6 °C), el circuito del quemador se desconecta y el circuito del circulador se conecta (suponiendo que no exista una orden de calefacción) en el punto de referencia de límite mínimo. Al registrarse un descenso de temperatura de 10 °F (6 °C) por debajo del punto de referencia del límite mínimo, el circuito del quemador se conecta y el circuito del circulador se desconecta.

Consulte la Fig. 7.



CUANDO EL AGUA ALCANZA LA CONFIGURACIÓN DE LÍMITE MÍNIMO, EL QUEMADOR SE APAGA O LA BOMBA DEL CIRCULADOR SE ENCIENDE (CUANDO SE EMITE UNA ORDEN DE CALEFACCIÓN).

MS23364

Fig. 7. Puntos de referencia y diferenciales.

## Función de ciclo anticorto

La función de ciclo anticorto permite la selección en campo de un tiempo de retardo entre los ciclos del quemador. Si se emite una orden de calefacción al finalizar el ciclo de calefacción anterior y antes de que se acabe el tiempo de retardo del ciclo anticorto, el circulador podrá comenzar a funcionar, pero el quemador no se encenderá hasta que haya transcurrido el tiempo. El rango de tiempo del ciclo anticorto es de APAGADO a cinco minutos.

NOTA: esta función se bloquea si se emite una orden de agua caliente doméstica. Las órdenes de agua caliente doméstica se brindan de inmediato, sin retardos.

NOTA: cuando el Aquastat está conectado al control primario de aceite o al termostato mediante el bus EnviraCOM, el tiempo del ciclo anticorto no se aplica para reciclar situaciones tales como la pérdida de la llama o del flujo de aire. Solo se aplica cuando no hay una orden.

## ZR: petición de agua caliente doméstica (DHW)

El terminal ZR puede estar configurado para brindar una petición de calefacción mediante un calentador indirecto de agua. Este parámetro se configura a través de la pantalla de tres dígitos (consulte la sección Ajuste de las configuraciones en este documento). Una petición de calefacción a través del terminal ZR tendrá prioridad sobre todas las demás funciones, tales como la función de ciclo anticorto o aquellas funciones habilitadas mediante el módulo de reinicio exterior (consulte el formulario N.º 69-2335EFS para obtener más información).

## Protección contra el congelamiento

La función de protección contra el congelamiento protege la caldera y potencialmente la plomería de la caldera contra posibles daños que pudiesen ocurrir si el agua que se encuentra en el sistema comienza a congelarse. La función de protección contra el congelamiento está habilitada solo en el L7248 (modelos de arranque en frío).

La configuración predeterminada de la función está habilitada (ON), pero puede deshabilitarse utilizando la pantalla de 3 dígitos. Consulte "Ajuste de las configuraciones" en la página 6.

Cuando la temperatura de la caldera desciende a la temperatura límite de protección contra el congelamiento (establecida en 40 °F [4.4 °C]) el quemador fuerza el encendido. Las salidas del circulador y ZC permanecen en el mismo estado en que estaban antes de que se habilite la función de protección contra el congelamiento. Pueden estar en ON (encendidas) u OFF (apagadas) durante el ciclo de protección contra el congelamiento.

Cuando la temperatura de la caldera alcance el límite de protección contra el congelamiento más un diferencial fijo de 10 °F, el quemador se apaga a menos que deba permanecer encendido debido a una demanda diferente.

## Funcionamiento de la purga térmica

La intención de la purga térmica es garantizar que el calor residual utilizable en la caldera circule hasta que se agote lo suficiente en el sistema antes de que se encienda el quemador. A tal fin, en una demanda de calefacción, el quemador no se encenderá mientras el circulador funcione hasta que la temperatura de la caldera baje a la temperatura de purga térmica o se supere el retardo de la

purga térmica. Estos dos parámetros son ajustables. Cuando la temperatura de la caldera alcance la temperatura de purga térmica, el quemador se enciende. La purga térmica solo se aplica a los modelos Aquastat de arranque en frío (L7248) y no interfiere con la demanda de calor del agua caliente doméstica o las calderas equipadas con los accesorios Honeywell de reinicio en exteriores. Para los modelos de arranque en caliente donde deberá configurarse un límite mínimo, no se aplica la purga térmica.

Además de la temperatura de purga térmica y los parámetros de retardo de la purga térmica, otras dos condiciones evitan que el Aquastat haga la purga térmica para mantener el confort en el espacio:

- La temperatura de la caldera ha bajado 10 °F desde el comienzo de la purga térmica.
- La temperatura se está enfriando a un índice mayor de 5 °F/minuto mientras el circulador está funcionando. La función de purga térmica se aplica a una sola zona así como a las aplicaciones de zonas múltiples.

## Configuraciones de purga térmica

Algunos parámetros de purga térmica son configurables mediante la pantalla de tres dígitos. Consulte "Ajuste de las configuraciones" en la página 6. La purga térmica puede deshabilitarse configurando el límite de temperatura de la purga térmica en "OFF" (apagado).

Tabla 5. Configuraciones de purga térmica.

Nombre del parámetro	Valor mínimo	Valor máximo	Valor predeterminado
Caída de la temperatura de la caldera	No ajustable	No ajustable	10 °F
Límite de temperatura de la purga térmica	120 °F (o OFF [apagado])	160 °F	140 °F (L7248)
Índice de descenso de temperatura de la purga térmica	No ajustable	No ajustable	5 °F/minuto
Retardo de la purga térmica	1 minuto	10 minutos	2 minutos

## Purga térmica y agua caliente doméstica

La función de purga térmica se deshabilita automáticamente cuando se presenta una demanda de agua caliente doméstica bien desde el terminal Zr o desde el módulo DHW para garantizar que el agua caliente esté disponible de manera oportuna. Consulte "ZR: petición de agua caliente doméstica (DHW)" en la página 8.

## Ciclos de encendido/apagado de la bomba

La función de encendido/apagado de la bomba ejercita la bomba del sistema durante 15 segundos después de un período no ajustable de cinco días en los cuales no hubo actividad en la caldera. La configuración predefinida de la función de encendido/apagado (ON) de la bomba se habilita pero puede deshabilitarse (OFF) utilizando la pantalla de tres dígitos. Consulte "Ajuste de las configuraciones" en la página 6.

## VERIFICACIÓN

Haga funcionar el sistema y observe, al menos, un ciclo completo para asegurarse de que el controlador esté funcionando bien. Consulte la sección LOCALIZACIÓN Y SOLUCIÓN DE PROBLEMAS para utilizar el LED que le ayudará a identificar el funcionamiento del sistema.

## LOCALIZACIÓN Y SOLUCIÓN DE PROBLEMAS

Cuando intente diagnosticar el funcionamiento del sistema, consulte el visualizador LED que le ayudará a identificar las áreas específicas que no están funcionando correctamente. El visualizador LED mostrará Err, seguido de un dígito (1-8). Consulte las Tabla 10 y 11 para obtener una descripción de cada error y las acciones sugeridas.

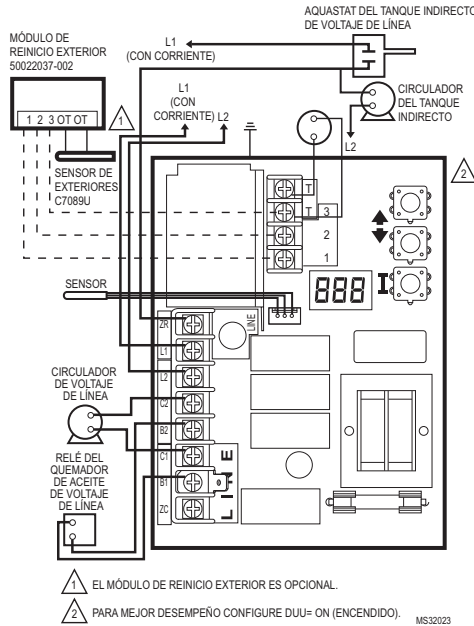


Fig. 8. L7224A,C; L7248L de una sola zona de calor con tanque de agua indirecto y circuladores. Módulo de reinicio exterior opcional.

Tabla 6. Secuencia de funcionamiento de los controladores L7224/L7248.

Acción	Respuesta del sistema
Órdenes de calefacción del termostato.	El circulador arranca cuando la temperatura del agua es superior a la configuración del límite inferior (si fuese pertinente) o superior al límite de temperatura de purga térmica (tPL) si la función de purga térmica está habilitada. Se verifica la temperatura de la caldera. El quemador se enciende cuando la temperatura del agua es inferior a la configuración del límite máximo menos el diferencial o está en el límite de la temperatura de purga térmica (tPL) o por debajo de él en calderas de arranque en frío si el límite de temperatura de purga térmica está habilitado. Si el tPL está habilitado, el quemador puede también encenderse si la temperatura de la caldera está descendiendo a razón de 10 °F o más por minuto o si el retardo de purga térmica (tPt) terminó. Si se habilita el tiempo de ciclo anticorto, el quemador no se encenderá hasta que transcurra el tiempo del ciclo anticorto configurado entre los ciclos, luego de que se haya cumplido la orden de calefacción anterior.
La temperatura de la caldera supera el límite máximo.	El quemador se apaga. El quemador se enciende nuevamente cuando la temperatura del agua descendiendo por debajo de la configuración de límite máximo menos el diferencial. Si la purga térmica está habilitada, el quemador se enciende bien cuando se alcance el límite de temperatura de la purga térmica, el retardo de la purga térmica haya terminado o el índice de enfriamiento de la temperatura de la caldera exceda de 10 °F/minuto.
El termostato está a gusto.	El circulador y el quemador se apagan.
La temperatura de la caldera descendiendo por debajo de la configuración de límite mínimo menos el diferencial (si corresponde).	El quemador se enciende y el circulador se apaga. El quemador se detiene cuando la temperatura del agua supera la configuración de límite mínimo. El quemador se enciende cuando la temperatura del agua es inferior a la configuración de límite máximo menos el diferencial.
Condiciones de error 1-5.	Si se detecta una condición de error, todas las salidas, excepto el ZC, se cierran. El quemador está apagado. El controlador continúa funcionando y se enciende nuevamente cuando el error se soluciona. Durante la secuencia de verificación del error, el sistema controla si hay variaciones en el sensor o corrosión en las conexiones.
Condición de error 6.	La comunicación EnviraCOM no está disponible.

**Tabla 6. Secuencia de funcionamiento de los controladores L7224/L7248.**

Acción	Respuesta del sistema
Condición de error 7.	El controlador reinició la configuración de límite máximo, límite mínimo y diferencial en una configuración predeterminada y continuará funcionando con esas configuraciones. El rendimiento del sistema disminuirá.
Condición de error 8.	Si se detecta la condición de error, todas las salidas, excepto el ZC, se cierran. El quemador está apagado. El controlador continúa funcionando y se encenderá nuevamente cuando las tres teclas del usuario se presionen simultáneamente durante más de 60 segundos.
Condición de error 9*.	El sistema continúa funcionando sin la función de reinicio exterior.
Condición de error 10*.	El sistema continúa funcionando con los parámetros de reinicio exterior habilitados en la programación. El error desaparece automáticamente.
Condición de error 11*.	El sistema continúa funcionando con la temperatura de la caldera configurada en el límite máximo.

\* La condición de error está disponible únicamente si se instala el módulo de reinicio exterior.

**Tabla 7. Secuencia de funcionamiento de los controladores L7224/L7248 con múltiples zonas conectadas mediante el terminal ZR.**

Acción	Respuesta del sistema
El terminal de petición de zona (ZR) está conectado a L1 (la zona emite una orden de calefacción).	Se verifica la temperatura de la caldera. El quemador se enciende cuando la temperatura del agua es inferior a la configuración del límite máximo o está en el límite de la temperatura de purga térmica o por debajo de él (tPL) en calderas de arranque en frío si el límite de temperatura de purga térmica está habilitado. Si el tPL está habilitado, el quemador puede también encenderse si la temperatura de la caldera está descendiendo a razón de 10 °F o más por minuto o si el retardo de purga térmica (tPt) terminó. Se aplica el tiempo del ciclo anticorto, consulte la Tabla 6.
La temperatura de la caldera supera el límite máximo.	El quemador se apaga. El quemador se enciende nuevamente cuando la temperatura del agua desciende por debajo de la configuración de límite máximo menos el diferencial. Si la purga térmica está habilitada, el quemador se enciende bien cuando se alcance el límite de temperatura de la purga térmica, el retardo de la purga térmica ha terminado o el índice de enfriamiento de la temperatura de la caldera excede de 10 °F/minuto.
La entrada de petición de zona se desactiva (las zonas están a gusto).	El quemador se apaga.
La temperatura de la caldera desciende por debajo de la configuración de límite mínimo menos el diferencial (si corresponde).	El quemador se enciende y el control de zonas se desactiva. El quemador se apaga y el control de zonas se vuelve a activar cuando la temperatura del agua supera la configuración de límite mínimo.

**Tabla 8. Secuencia de funcionamiento del controlador con dispositivo de límite mínimo exterior conectado mediante el terminal ZR.**

Acción	Respuesta del sistema
El terminal de petición de zona (ZR) está conectado a L1 (el límite mínimo exterior emite una orden de calefacción).	Se verifica la temperatura de la caldera. El quemador se enciende cuando la temperatura del agua es inferior a la configuración de límite máximo. El circulador se apaga.
La temperatura de la caldera supera el límite máximo.	El quemador se apaga. El quemador se enciende nuevamente cuando la temperatura del agua desciende por debajo de la configuración de límite máximo menos el diferencial.
La entrada de petición de zona se desactiva (el límite mínimo exterior está a gusto).	El quemador se apaga.

**Tabla 9. Secuencia de funcionamiento del controlador L7224 con agua caliente doméstica conectada mediante el terminal ZR.**

Acción	Respuesta del sistema
El terminal de petición de zona (ZR) está conectado a L1 (el agua caliente doméstica emite un orden de calefacción).	Se verifica la temperatura de la caldera. El quemador se enciende cuando la temperatura del agua es inferior a la configuración de límite máximo.
La temperatura de la caldera supera el límite máximo.	El quemador se apaga. El quemador se enciende nuevamente cuando la temperatura del agua desciende por debajo de la configuración de límite máximo menos el diferencial.
La entrada de petición de zona se desactiva (el agua caliente doméstica está a gusto).	El quemador se apaga.

**Tabla 10. Códigos de error LED.**

Código de error del Aquastat	Causa/acción	Alarma EnviraCOM
Err1	El sensor Aquastat falló; verifique el sensor de agua.	18
Err2	ECOM falló; verifique el cableado del EnviraCOM™.	18
Err3	Hay demasiado ruido eléctrico o la frecuencia está fuera de alcance. El equipo falló; reemplace el controlador.	18, 58
Err4	B1 falló; verifique el voltaje/cableado de B1.	64
Err5	Línea baja; verifique L1-L2, 110 V CA.	59
Err6 <sup>a</sup>	Advertencia: fusible; verifique los cables del ECOM, reemplace el fusible.	92
Err7	Advertencia: EEPROM, HL, LL, Hdf, Ldf; reinicie con los valores predeterminados.	N/D
Err 8 <sup>b</sup>	B1 falló nuevamente (hay voltaje en B1 cuando la salida está apagada); verifique el voltaje/cableado de B1.	25
Err9 <sup>a</sup>	Advertencia: falla en el sistema de reinicio exterior; se perdió la comunicación con el módulo de reinicio exterior, falla en el módulo de reinicio exterior, se detectaron múltiples sensores de temperatura exterior en el bus, o bien, hay una falla en el sensor de temperatura exterior. Verifique el cableado del EnviraCOM (1, 2, 3), verifique el cableado del sensor.	50, 53, 149
Err 10 <sup>a</sup>	Advertencia: falla del refuerzo; el modo de refuerzo estuvo activo, al menos, una vez por ciclo durante los últimos 60 ciclos consecutivos. Verifique las configuraciones de la curva de reinicio exterior.	150
Err 11 <sup>a</sup>	Falla en el sensor/módulo para DHW; se perdió la comunicación con el módulo para DHW, falla en el módulo para DHW o falla en el sensor de temperatura. Verifique el cableado del EnviraCOM (1, 2, 3), verifique el cableado del sensor.	146, 147, 148

<sup>a</sup> Se emitirán advertencias para informar que el sistema no está funcionando de forma óptima, pero el Aquastat continúa funcionando y mantiene la temperatura de la caldera. Si se utiliza un módulo de reinicio exterior, las advertencias pueden indicar un error en la configuración de la curva de reinicio; una o más funciones no están funcionando de forma óptima y el Aquastat regresa a las configuraciones predeterminadas o deja de hacer funcionar los algoritmos de reinicio exterior. Las advertencias desaparecen cuando se resuelven el o los problemas.

<sup>b</sup> Para borrar la condición Err 8, presione y mantenga presionadas simultáneamente las tres teclas del usuario durante 60 segundos. La condición Err 8 desaparece y la pantalla vuelve a su funcionamiento normal. La condición Err 8 está diseñada para detectar relés soldados en el Aquastat; esto únicamente ocurre, en condiciones normales, cerca del final de la vida útil del control. Si la condición Err 8 ocurre a comienzos de la vida útil de los controles, asegúrese de controlar la retroalimentación de voltaje a B1, cuando B1 debe estar apagado, y verifique el consumo de corriente en el terminal b para asegurarse de que el quemador de aceite no esté consumiendo corriente excesiva. La condición Err 8 continuará repitiéndose si no se borra la falla de B1.

Tabla 11. Guía de localización y solución de problemas.

Condición del sistema	Condición de diagnóstico	Verificación	Acción
La caldera está fría, la casa está fría.	La pantalla está APAGADA.	Energía del sistema: 120 V CA.	Conecte la energía del sistema.
	La pantalla está ENCENDIDA.	T-T de 24 V CA	No hay 24 V; reemplace el control.
		24 V presentes; desconecte el termostato, T-T corto.	La caldera se enciende, verifique el cableado y el termostato.
		120 V CA en B1-B2	<ul style="list-style-type: none"> <li>• Si no es así, reemplace el control.</li> <li>• Si es así, verifique el quemador y el cableado.</li> </ul>
		Consulte el <b>Err</b> de la pantalla.	—
La caldera está caliente, la casa está fría.	La pantalla está ENCENDIDA.	120 V CA en C1-C2	<ul style="list-style-type: none"> <li>• 120 V CA en C1-C2, verifique el cableado hacia la bomba.</li> <li>• El cableado está bien, ¿está funcionando la bomba?</li> <li>• Si no es así, reemplace la bomba.</li> <li>• Si la bomba está funcionando, verifique que no haya aire atrapado ni válvulas de zona cerradas.</li> </ul>
		La temperatura de la caldera es inferior a la temperatura de límite mínimo, espere a que la caldera supere la temperatura de límite mínimo.	—
		¿La caldera supera el LL (límite mínimo)? Si es así, verifique que existan 120 V CA entre ZC y L2.	<ul style="list-style-type: none"> <li>• Si no hay 120 V CA, reemplace el control.</li> <li>• Si es así, verifique los relés de zonas, los circuladores y el cableado.</li> </ul>
		Configuración de límite mínimo exterior (únicamente en el L7248L)	<ul style="list-style-type: none"> <li>• Configure el límite mínimo exterior (ELL) en apagado para los sistemas de zonas múltiples (consulte la Fig. 11).</li> <li>• Configure el ELL en encendido para el límite mínimo exterior (consulte la Fig. 13).</li> </ul>
		¿La caldera supera el LL (límite mínimo)? Si es así, verifique que haya 120 V CA en ZR-L2 (únicamente en el L7248L con ELL [límite mínimo exterior] configurado en encendido).	<ul style="list-style-type: none"> <li>• Si no hay 120 V CA, verifique C1-C2 (consulte más arriba).</li> <li>• Si es así, verifique el control de límite mínimo exterior.</li> </ul>
La caldera está caliente, no hay agua potable caliente.	La pantalla está ENCENDIDA.	Señal de demanda de la caldera emitida por el calentador de agua (bien 120 V CA en ZR-L2, o 0 V CA en T-T; depende de la instalación y la configuración "duu")	<ul style="list-style-type: none"> <li>• 24 V CA en T-T (o 0 V CA en ZR-L2), revise el cableado hacia el calentador de agua</li> <li>• Si el cableado está bien, revise el calentador de agua</li> </ul>
		configuración "duu"	<ul style="list-style-type: none"> <li>• Configure ddu en ON si la demanda del calentador de agua de 120 V CA está conectada a ZR</li> <li>• Configure ddu en OFF si la demanda del calentador de agua abierta/cerrada está conectada a T-T</li> </ul>
		Revise el módulo DHW y el sensor DHW	<ul style="list-style-type: none"> <li>• El módulo DHW no está conectado adecuadamente y/o el sensor DHW está colocado inadecuadamente</li> </ul>

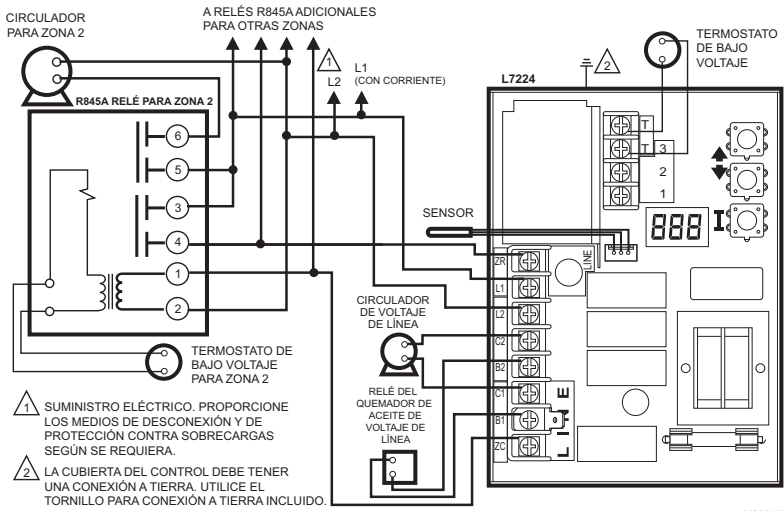
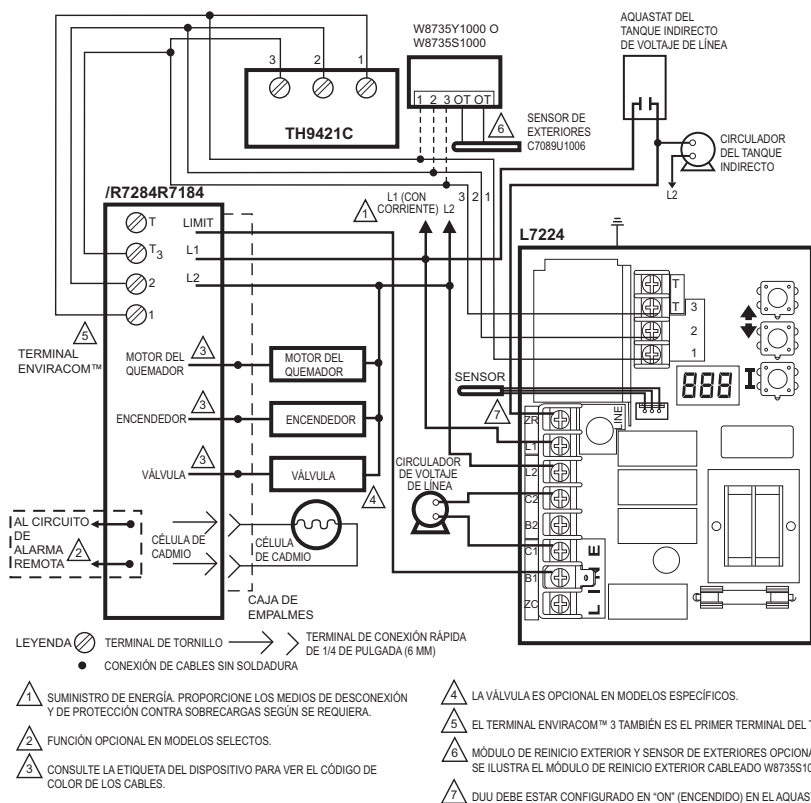


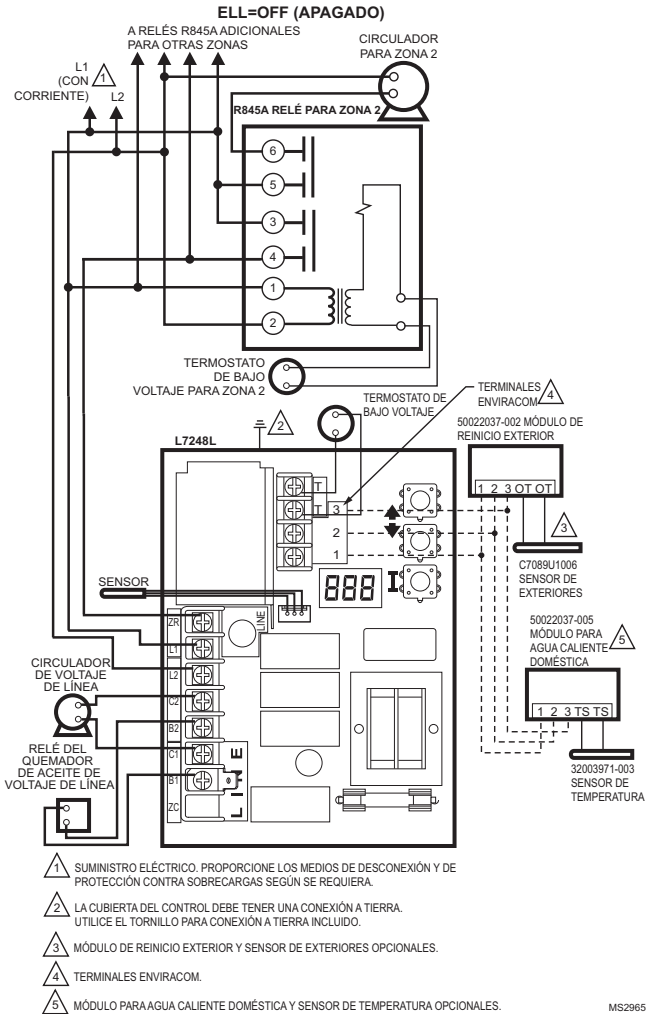
Fig. 9. Sistema de zonas múltiples del L7224A,C con conexiones para circuladores.



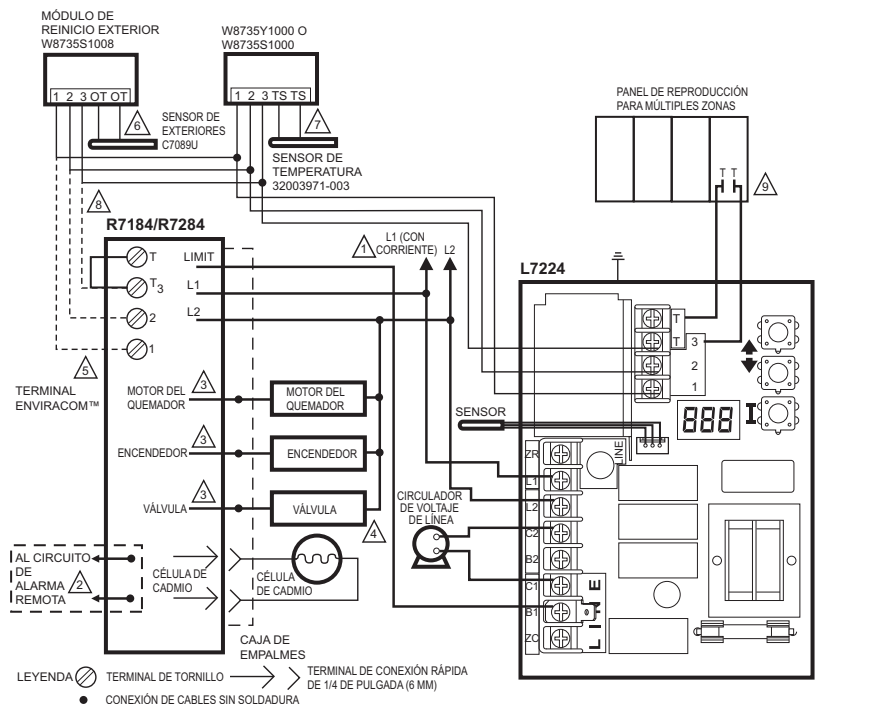


MS32025A

Fig. 10. L7224A,C; L7248L con sistema de una zona con circulator y tanque de agua indirecto con termostato EnviraCOM™.



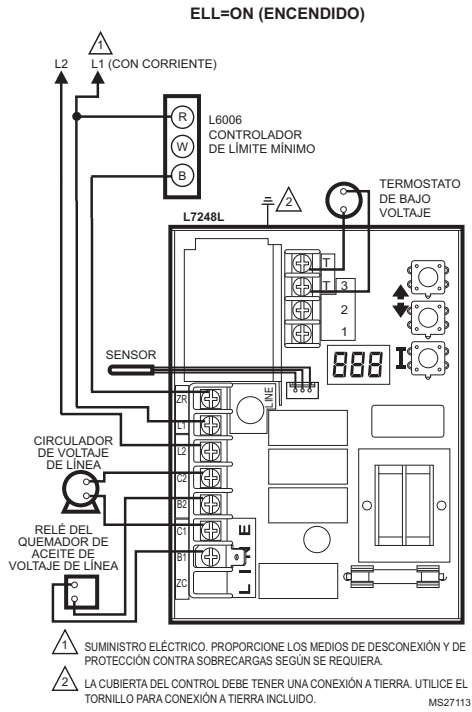
**Fig. 11. Sistema de zonas múltiples del L7248L con conexiones para circuladores.**



- |  |  |
|--|--|
| <p>1 SUMINISTRO DE ENERGÍA. PROPORCIONE LOS MEDIOS DE DESCONECCIÓN Y DE PROTECCIÓN CONTRA SOBRECARGAS SEGÚN SE REQUIERA.</p> <p>2 FUNCIÓN OPCIONAL EN MODELOS SELECTOS.</p> <p>3 CONSULTE LA ETIQUETA DEL DISPOSITIVO PARA VER EL CÓDIGO DE COLOR DE LOS CABLES.</p> <p>4 LA VÁLVULA ES OPCIONAL EN MODELOS ESPECÍFICOS.</p> <p>5 EL TERMINAL ENVIRACOM™ 3 TAMBIÉN ES EL PRIMER TERMINAL DEL TERMOSTATO.</p> | <p>6 MÓDULO DE REINICIO EXTERIOR Y SENSOR DE EXTERIORES OPCIONALES.</p> <p>7 MÓDULO OPCIONAL PARA AGUA CALIENTE DOMÉSTICA. SE ILUSTRÓ EL MÓDULO DE REINICIO EXTERIOR CABLEADO W8735S1000.</p> <p>8 CONECTE SOLAMENTE LOS TERMINALES ENVIRACOM (1, 2, 3) EN EL CONTROL PRIMARIO DE ACEITE SI SE CONECTA A UN DISPOSITIVO DE DIAGNÓSTICO REMOTO; DE LO CONTRARIO, CONECTE UN PUNTE ENTRE LOS TERMINALES TT.</p> <p>9 LOS TERMINALES DEL PANEL DE ZONA PUEDEN TENER ETIQUETAS DIFERENTES. VERIFIQUE LAS ESPECIFICACIONES DEL FABRICANTE DEL PANEL PARA OBTENER INSTRUCCIONES ESPECÍFICAS SOBRE EL CABLEADO.</p> |
|--|--|

MS32024A

**Fig. 12. L7224/L7248 con sistema de zonas múltiples con módulos de agua caliente doméstica y de reinicio exterior (aplicaciones con tanque indirecto).**



**Fig. 13. Conexiones para el límite mínimo exterior del L7248L.**

## Automatización y control desalace

Honeywell International Inc.  
 1985 Douglas Drive North  
 Golden Valley, MN 55422  
 customer.honeywell.com

# Honeywell

© Marca Registrada en los Estados Unidos  
 © 2013 Honeywell International Inc. todos  
 Los Derechos Reservados  
 68-0281EFS—07 M.S. Rev. 10-13  
 Impreso en Estados Unidos