



**Redundancy is twice the  
reason to install it.**

# The right choice in gas valves

The days of being required to replace a gas valve with the same model are over — there is something better than like-for-like. The compact design of Honeywell valves require fewer stocking trips, take up less space on service trucks and yet offer a multitude of solutions. They are the perfect replacement valves to carry on your truck. Honeywell universal gas valves, with redundant design, install anywhere for improved safety everywhere.

The two valves of the Honeywell system function independently, allowing one to act as a failsafe for the other — adding another level of safety. This keeps homes, and their residents, out of harm's way.

## Universal Valves

Everything you need for the job comes with the Honeywell valve, so you can replace a wide range of valves from multiple manufacturers. It includes two 3/4" to 1/2" reducer bushings and a LP conversion kit. The VR8345 handles Intermittent Pilot (IP), Direct Spark Ignition (DSI) and Hot Surface Ignition (HSI). All the features you want in a single valve.

Plus, our gas valves have the capacity for almost any IP, DSI or HSI gas-fired appliance. They have a minimum rating that makes the valve perfect for virtually all residential equipment and has maximum capacity that works great on large applications. It brings versatility and convenience to any project you're tackling.

## Compact, Convenient Control

Considering the added safety and universal abilities of the VR-series universal gas valves, it's impressive how convenient they are. The swing radius of the VR8345 is just four inches, making it easier to rotate into position. And its versatile mounting capabilities let you install the valve at any angle from 0° to 90° without affecting performance, so it can be used in a variety of applications.

**Compact Design**  
Fits in more applications.

**Servo Valve**  
Independent second valve provides  
another layer of safety.

Works  
comme  
range of

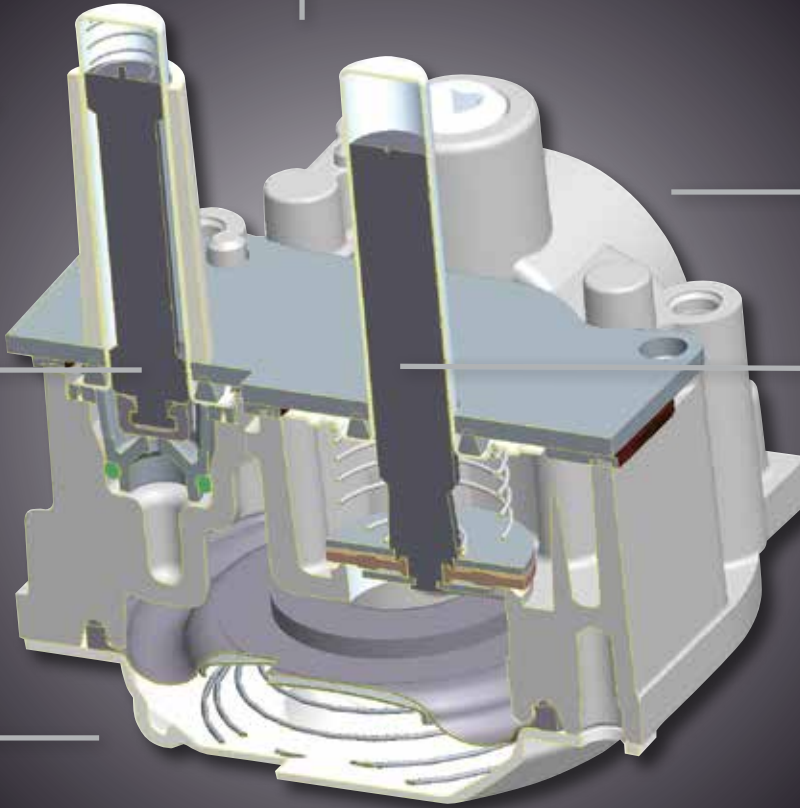


### Universal Design

Perfect for residential to light commercial applications and functions with multiple ignition types.

### Internal Inlet Screen

Blocks contaminants in gas line from entering valve.



### Main Valve

Controls gas flow.

### Flexible Mounting

Can be mounted at any horizontal angle from 0° to 90° in either direction.

### Versatile

s with virtually all residential and light commercial equipment, with a wide capacity of 30,000 to 415,000 BTU/h natural gas (48,600 to 672,300 LP gas).

## VR8345 Universal Electronic Ignition Gas Valve

The universal gas valve with redundant design installs anywhere for improved safety everywhere.

VR-Series Universal Gas Valves							Includes	
Universal Service Part	Ignition type	Opening Characteristics (standard, step)	Inlet/Outlet Size (in.)	Pressure Regulator Setting (psi)	Temperature Range	Hertz Rating	3/4" x 1/2" Reducer Bushing	Natural to LP Conversion Kit
VR8300M4406	Standing Pilot	Standard	3/4 x 3/4	3.5 in. wc (0.87 kPa)	0° to 175° F (-18° to 79° C)	50/60 Hz	Two	One
VR8245M2530	Electronic	Standard	1/2 x 1/2	3.5 in. wc (0.87 kPa)	-40° to 175° F (-40° to 79° C)	50/60 Hz	None	One
VR8345K4809	Electronic	Slow	3/4 x 3/4	3.5 in. wc (0.87 kPa)	-40° to 175° F (-40° to 79° C)	50/60 Hz	Two	One
VR8345M4302	Electronic	Standard	3/4 x 3/4	3.5 in. wc (0.87 kPa)	-40° to 175° F (-40° to 79° C)	50/60 Hz	Two	One
VR8345Q4563	Electronic	2-Stage	3/4 x 3/4	1.7 in. wc Low Fire; 3.5 in. wc High Fire	-40° to 175° F (-40° to 79° C)	50/60 Hz	Two	One



Scan here for installation and product information.

#### Find Out More

For more information about the Honeywell VR-series universal gas valves call **1-800-328-5111**, email [info@honeywell.com](mailto:info@honeywell.com), or visit [forwardthinking.honeywell.com/combustion](http://forwardthinking.honeywell.com/combustion).

#### Honeywell Environmental & Combustion Controls

In the U.S.:  
Honeywell  
1985 Douglas Drive North  
Golden Valley, MN 55422-3992

In Canada:  
Honeywell Limited  
35 Dynamic Drive  
Toronto, Ontario M1V 4Z9  
Honeywell.com

Follow us on Twitter:  
[@honeywellcpro](https://twitter.com/honeywellcpro)



YouTube:  
[@honeywellcpro](https://www.youtube.com/honeywellcpro)



# Honeywell