

32006648-001 NEMA 1 Cover for CR7890B Integrated Burner Control

INSTALLATION INSTRUCTIONS

APPLICATION

The 32006648-001 NEMA 1 Cover provides a means of continuously monitoring the flame signal voltage. It also provides a connection point for the 32005580-001 Extension Cable to utilize the S7800 Keyboard Display Module (KDM).

IMPORTANT

The 32006648-001 NEMA 1 Cover reduces the CR7890 NEMA rating from NEMA 4 to NEMA 1 and also reduces the maximum ambient temperature rating from 135°F (+57°C) to 130°F (54°C).



Fig. 1. 32006648-001 NEMA 1 Cover.

1. Remove the four black faceplate screws from the faceplate.
2. Remove the faceplate and replace it with the 32006648-001 NEMA 1 Cover.
3. Install the four black faceplate screws from step 1.
4. See Fig. 4 or 5 for connecting the S7800 Keyboard Display Module (KDM) or for measuring the flame signal strength.

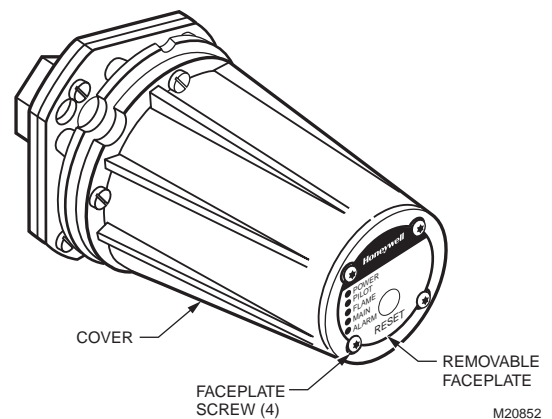


Fig. 2. Removable faceplate.

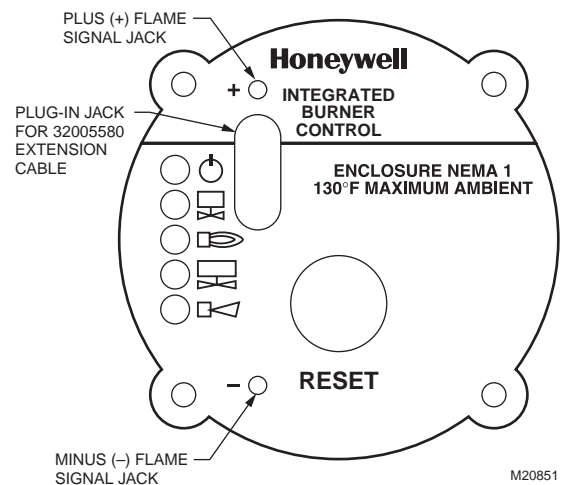


Fig. 3. NEMA1 cover for CR7890.

INSTALLATION

To remove the CR7890 faceplate and replace it with the 32006648 NEMA 1 Cover (see Fig. 2):





Fig. 4. Installing the 32005588-001 Extension Cable with S7800 Keyboard Display Module.

1. Insert the black connector at the end of the 32005588-001 Extension Cable into the slot on the upper front of the CR7890 NEMA 1 cover.
2. Connect the other end of the extension cable to the back of the S7800 Keyboard Display Module.



Fig. 5. Measuring the flame signal voltage.

To measure the flame signal voltage with the NEMA1 cover in place:

1. Connect the red (+) lead of the multimeter to the upper test jack on the front of the cover.
2. Connect the black (-) lead of the multimeter to the lower test jack on the front of the cover.
3. Measure the flame signal voltage.

Honeywell

Automation and Control Solutions

Honeywell
1985 Douglas Drive North
Golden Valley, MN 55422

Honeywell Limited-Honeywell Limitée
35 Dynamic Drive
Scarborough, Ontario
M1V 4Z9

