

WSK-24 Wireless Occupancy Solution

SPECIFICATION DATA



FEATURES

- Wireless system provides quick and easy installation
- Pre-configured door sensor and occupancy sensor
- Guest comfort is maintained by never turning off HVAC equipment when someone is in the room – even if they are sleeping
- Fuse protection
- Long battery life
- Low battery indication
- Receiver memory retained after power loss
- Optional sliding door/window sensor can be easily added
- Compatible with T7350 and T7351 (WSK-24 has a N/O relay and T7350/T7351 assume that the dry contact inputs are N/C. Therefore, a Honeywell R8222 low voltage switching relay [N/C] needs to be used to reverse the logic of the dry contact input into the thermostat. R8222B1067 [24VAC, SPDT] and R8222N1011 [24VAC, DPDT, Pilot Duty] are available.)

APPLICATION

The WSK-24 Wireless Occupancy Solution automatically controls HVAC equipment by determining when a room is occupied. The WSK-24 uses the combination of an occupancy sensor and a door switch to provide optimal control. The WSK-24 is packaged in a kit that includes the following components:

- One 24V dry contact receiver
- One wireless PIR (passive infrared receiver) occupancy sensor with mounting kit
- One wireless door sensor with mounting kit
- One wiring harness.

The receiver can be wired into any thermostat or controller that supports the connection of a remote setback device. The receiver communicates wirelessly to a PIR occupancy sensor, a door sensor, and an optional 2nd door/window sensor. After the receiver determines that the room is unoccupied, it closes a dry contact switch. After the thermostat or controller recognizes the contact closure, it places the thermostat in economy setback mode, which provides energy savings for when the room is unoccupied.



SPECIFICATIONS

Operating Temperature:

Receiver: -21 to 60°C (-5 to 140°F)

Door Sensor^a: -20 to 60°C (-4 to 140°F)

PIR Sensor: -20 to 40°C (-4 to 104°F)

Power Supply:

Receiver: 24 Vac/Vdc at 50/60 Hz; Standby power consumption 15 mA; Channel 1 relay output, N.O.

Door Sensor: Two CR2032 lithium batteries

PIR Sensor: Three AAA E92 1.5V alkaline batteries

Battery Life:

Door Sensor^a: Two years (under normal usage)

PIR Sensor: One year (under normal usage)

Receiver Operating Frequency:

Receiver: 433.92 MHz

Door Sensor^a: 433.92 MHz

PIR Sensor: 433.92 MHz

Receiver Frequency Range:

- With antenna exposed:
 - Open Range: 200 ft.
 - Typical Range: 100 ft.
- With antenna coiled inside receiver:
 - Open Range: 50 ft.
 - Typical Range: 40 ft.

PIR Detection Pattern:

Length: 3 to 8 meters when mounted 2 meters above the floor (see Fig. 1)

Angle: 140 degrees (see Fig. 2)

^a and 50037735-001, the optional sliding door/window sensor

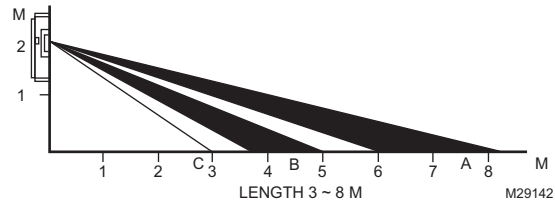


Fig. 1. Side view of PIR detection pattern.

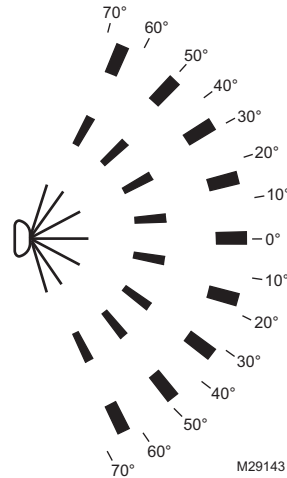


Fig. 2. Top view of PIR detection pattern.

Dimensions:

Door Sensor^a: 1.4 x 2.3 x 0.6 in (35.8 x 57.6 x 15.2 mm)

Receiver: 3.6 x 3.4 x 1.2 in (91.4 x 86.4 x 30.5 mm)

PIR Sensor: 2.8 x 3.9 x 1.1 in (71 x 100 x 28 mm)

Approvals: FCC Part 15 Class B

Accessories:

- 50037735-001: Optional Sliding Door/Window Sensor

Replacement Parts:

- 50037737-001: Wireless Receiver
- 50037736-001: Wireless PIR Occupancy Sensor

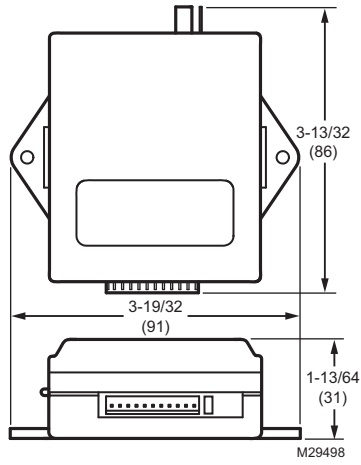


Fig. 3. Receiver Dimensions

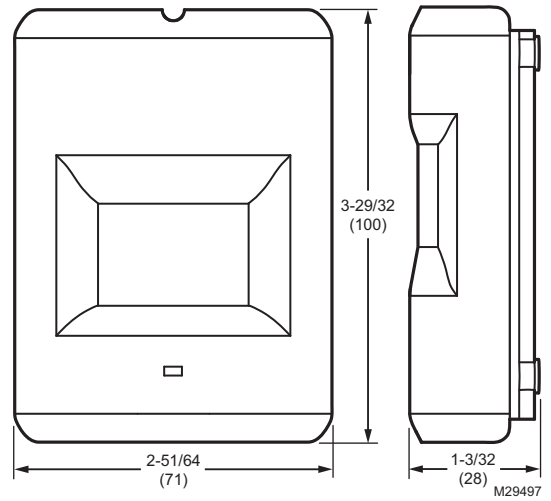


Fig. 4. PIR Motion Sensor Dimensions

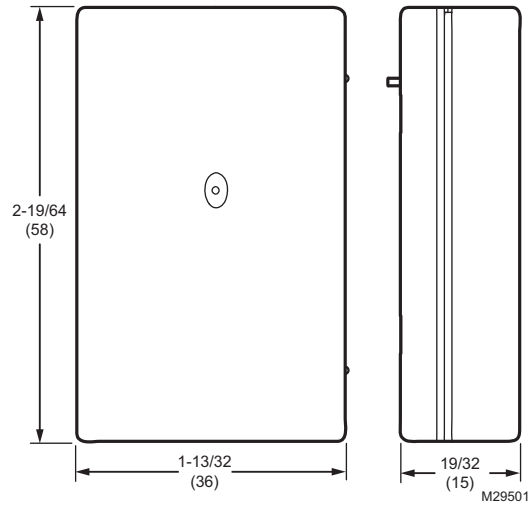


Fig. 5. Door Sensor Dimensions

Automation and Control Solutions

Honeywell International Inc.
1985 Douglas Drive North
Golden Valley, MN 55422
customer.honeywell.com

© U.S. Registered Trademark
© 2012 Honeywell International Inc.
63-4519—02 M.S. Rev. 12-12
Printed in United States

Honeywell