

# SmartVFD Frame 5 Wiring Diagrams and Dimensional Drawings

**SPECIFICATION DATA**

SmartVFD Frame Size 5  
460 Vac: 10-20 HP  
208/230 Vac: 5-10 HP

## CONTENTS

SmartVFD Frame 5 Wiring Diagrams .....	2
Frame 5, Fused Disconnect Wiring Diagrams .....	2
Frame 5, 2 Contactor Wiring Diagrams .....	3
Frame 5, 3 Contactor Wiring Diagrams .....	4
Frame 5, 3 Contactor with Auto-bypass Wiring Diagrams .....	5
SmartVFD Frame 5 Dimensional Diagrams .....	6
Frame 5 NEMA 1: Disconnect Only and 2 Contactor.....	6
Frame 5 NEMA 1: 3 Contactor and 3 Contactor with Auto Bypass .....	7
Frame 5 NEMA 12, Disconnect Only, 2 Contactor, 3 Contactor and 3 Contactor with Auto-Bypass .....	8
Frame 5 NEMA3R, Disconnect Only, 2 Contactor, 3 Contactor and 3 Contactor with Auto-Bypass.....	9





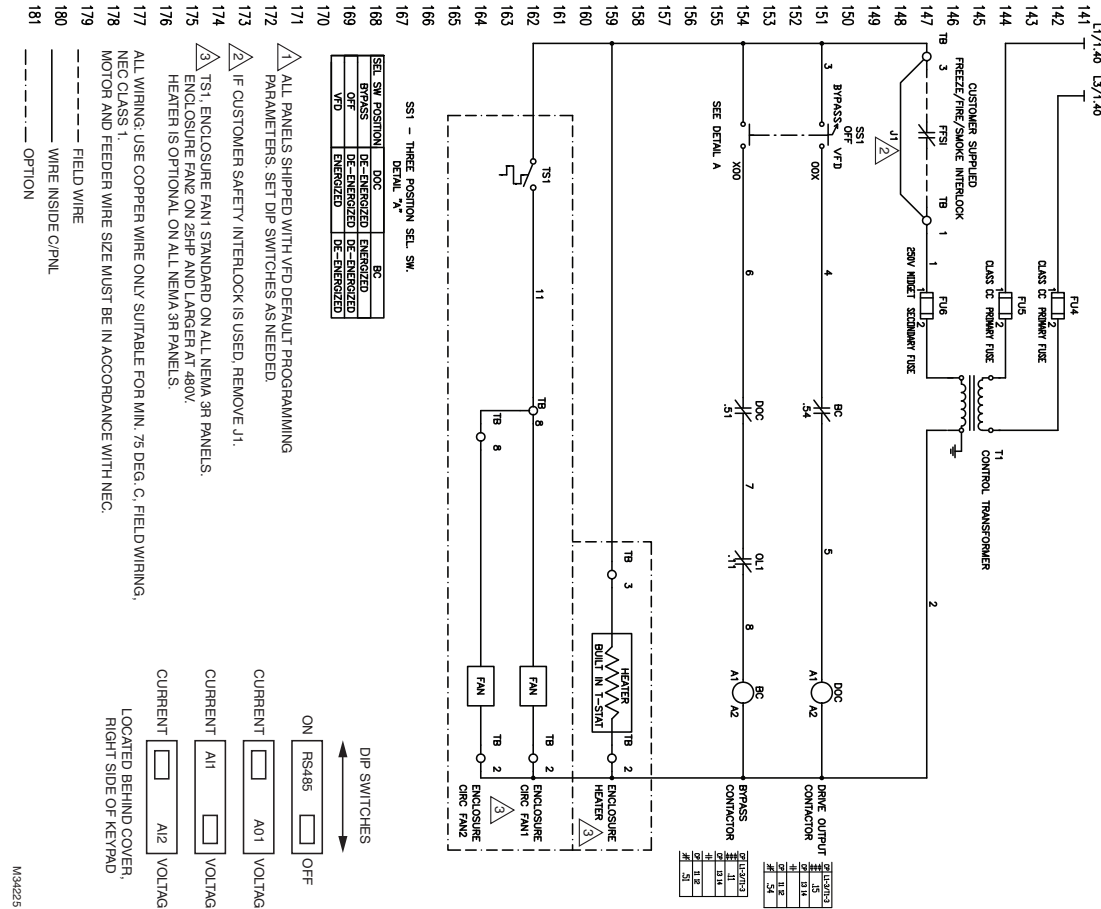
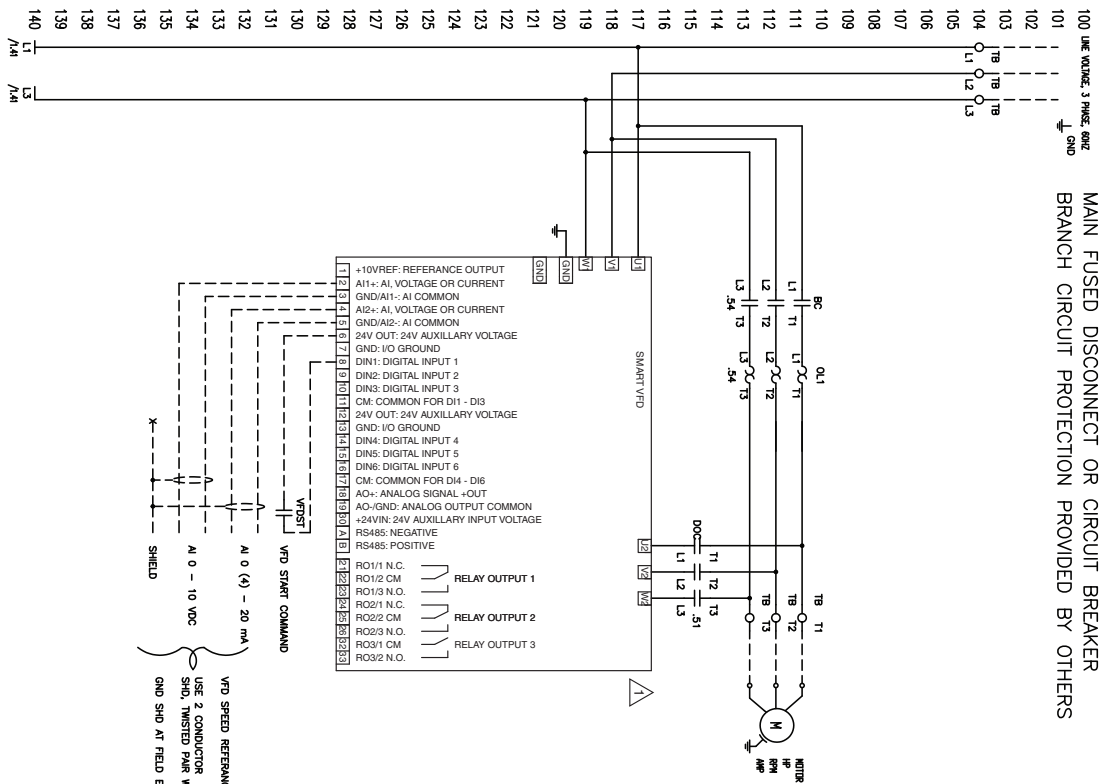
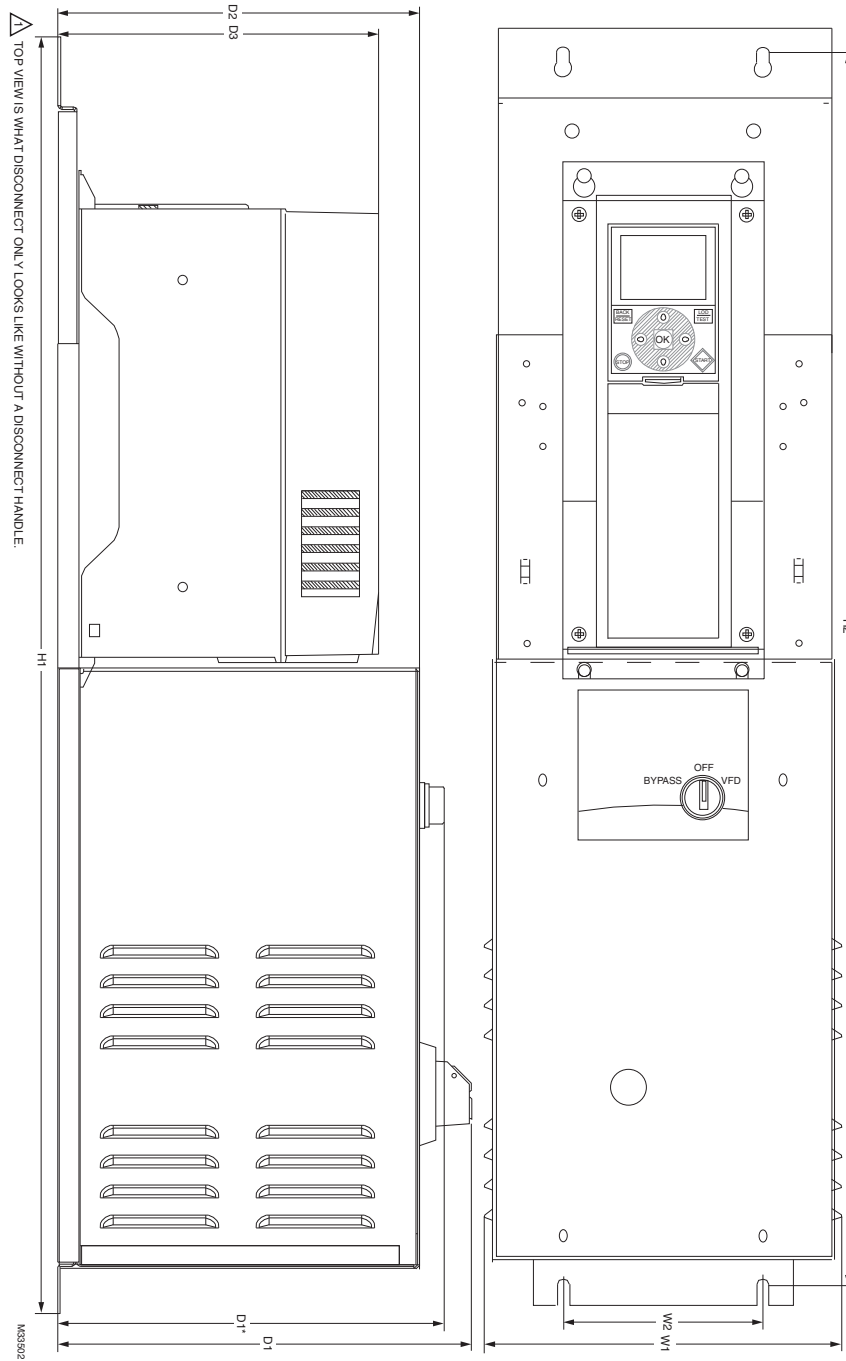


Fig. 2. Frame 5, 2 Contactor Wiring Diagram



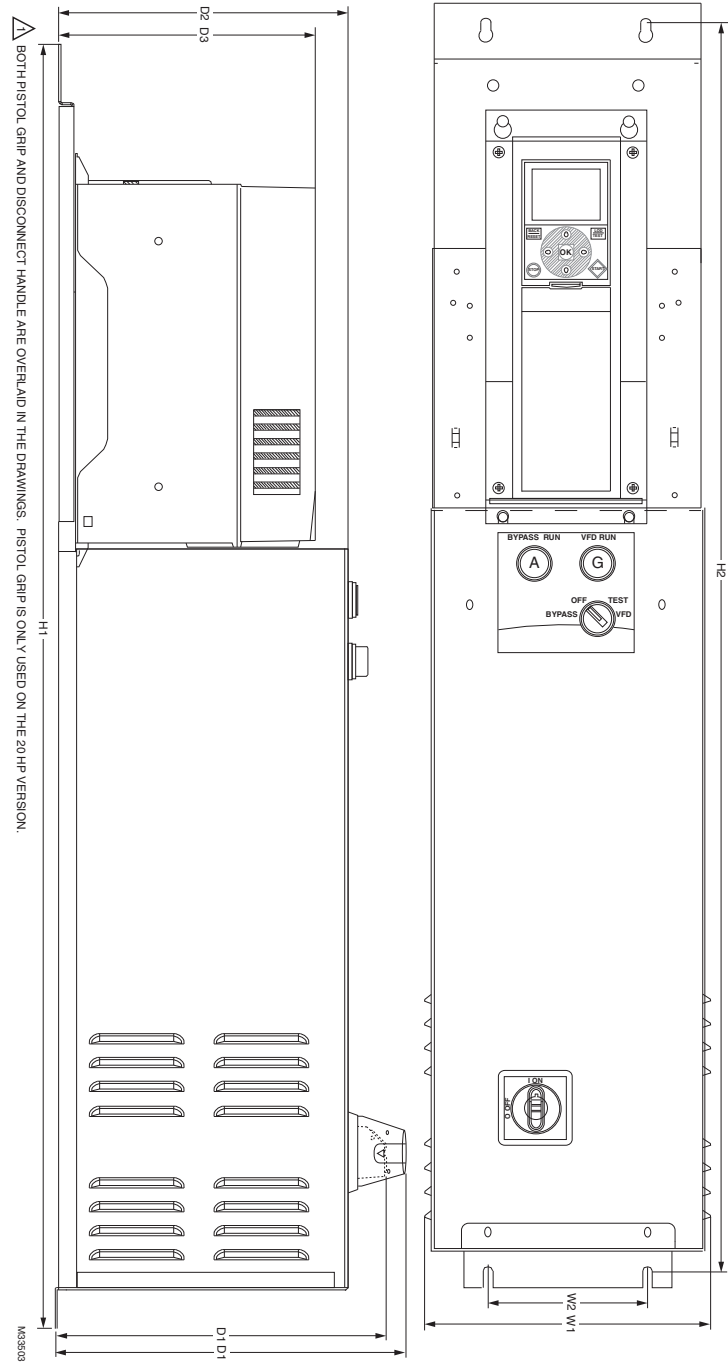


SMARTVFD FRAME 5 WIRING DIAGRAMS AND DIMENSIONAL DRAWINGS



Frame Size	HP and Voltage		Configuration	Dimensions							Weight Lb.
	208/230 Vac	480 Vac		W1	W2	H1	H2	D1	D2	D3	
5	5HP	10HP	Disconnect	8.92	4.98	34.72	33.61	10.36	9.04	8.96	43
* depth of 2 CONT only			2-Contractor	8.92	4.98	34.72	33.61	*9.64	9.04	8.96	48
5	7.5HP	15HP	Disconnect	8.92	4.98	34.72	33.61	10.36	9.04	8.96	
			2-Contractor	8.92	4.98	34.72	33.61	*9.64	9.04	8.96	50
5	10HP	20HP	Disconnect	8.92	4.98	34.72	33.61	10.36	9.04	8.96	
			2-Contractor	8.92	4.98	34.72	33.61	*9.64	9.04	8.96	50

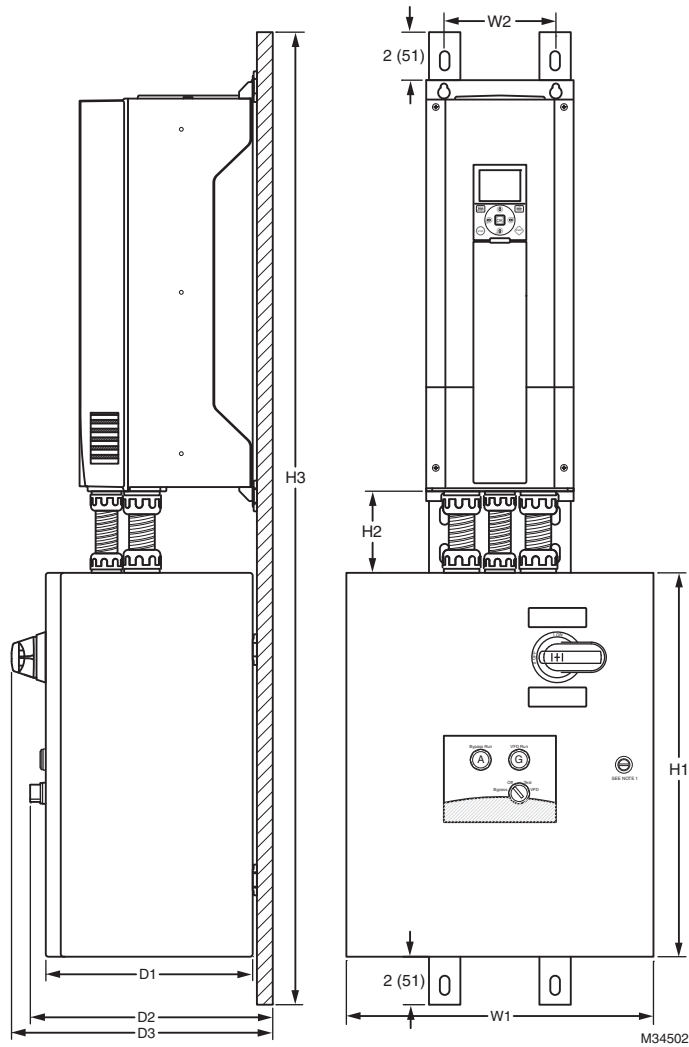
Fig. 5. Frame 5 NEMA 1: Disconnect Only and 2 Contractor.



Frame Size	HP and Voltage		Configuration	Dimensions							Weight Lb.
	208/230 Vac	460 Vac		W1	W2	H1	H2	D1	D2	D3	
5	5HP	10HP	3-Contractor	8.92	4.98	41.72	40.61	10.36	9.04	8.96	55.5
			3-Contractor with Auto-Bypass	8.92	4.98	41.72	40.61	10.36	9.04	8.96	56
5	7.5HP	15HP	3-Contractor	8.92	4.98	41.72	40.61	10.36	9.04	8.96	57
			3-Contractor with Auto-Bypass	8.92	4.98	41.72	40.61	10.36	9.04	8.96	57.5
5	10HP	20HP	3-Contractor	8.92	4.98	41.72	40.61	10.36	9.04	8.96	59.5
			3-Contractor with Auto-Bypass	8.92	4.98	41.72	40.61	10.36	9.04	8.96	60

Fig. 6. Frame 5 NEMA 1: 3 Contactor and 3 Contactor with Auto Bypass

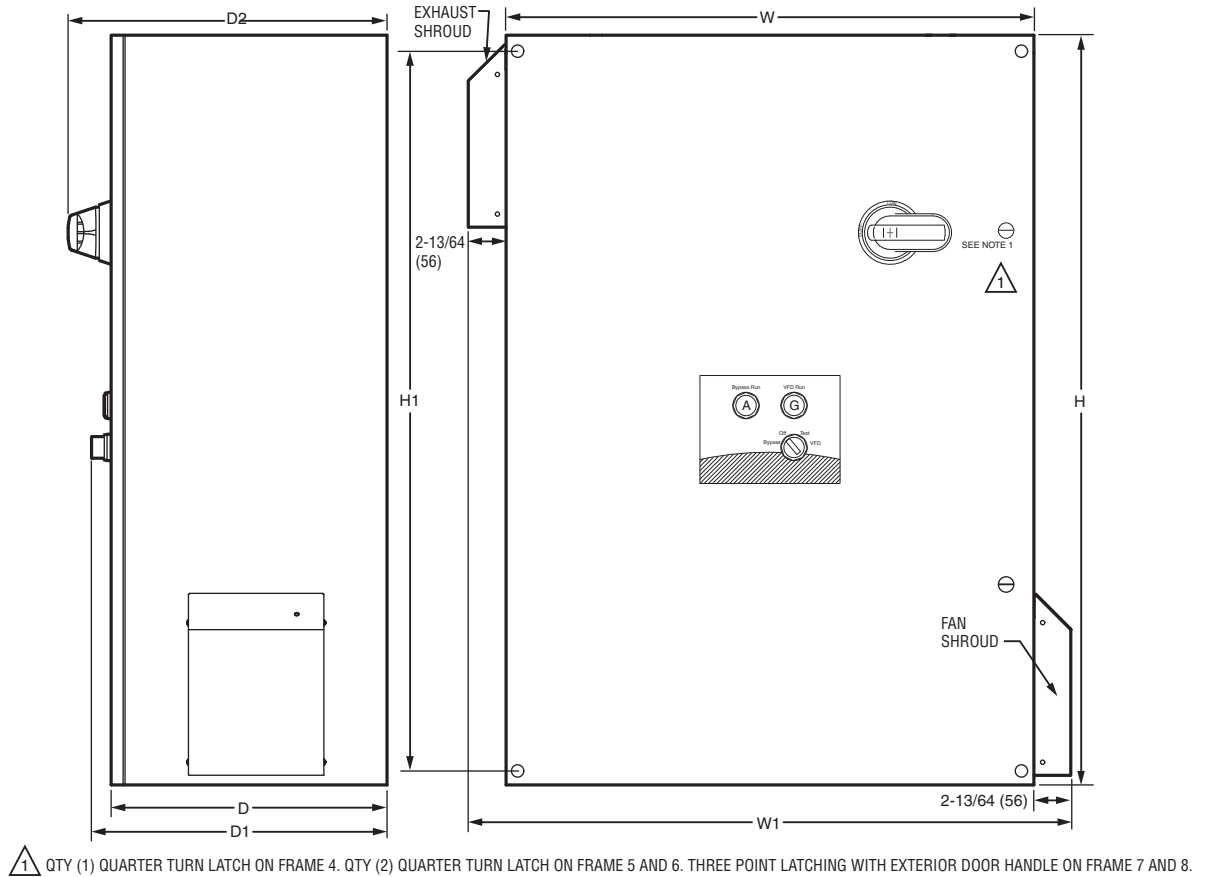
SMARTVFD FRAME 5 WIRING DIAGRAMS AND DIMENSIONAL DRAWINGS



Frame Size	HP and Voltage		Configuration	Dimensions								Weight Lb.
	208/230 Vac	460 Vac		H1	H2	H3	W1	W2	D1	D2*	D3	
5	5HP	10HP	Disconnect Only	16	5	41	12	4.5	8		11	72
	7.5HP	15HP										
	10HP	20HP										
5		10HP	2-Contactor	16	5	41	16	4.5	8	9.5	11	64
		15HP	3-Contactor	16	5	41	16	4.5	8	9.5	11	64
		20HP	3-Contactor with Auto-Bypass	20	5	45	16	4.5	8	9.5	11	76
	5HP		2-Contactor	16	5	41	16	4.5	8	9.5	11	70
	7.5HP		3-Contactor	16	5	41	16	4.5	8	9.5	11	70
	10HP		3-Contactor with Auto-Bypass	20	5	45	16	4.5	8	9.5	11	84

Fig. 7. Frame 5 NEMA 12, Disconnect Only, 2 Contactor, 3 Contactor and 3 Contactor with Auto-Bypass.





M34503

Frame Size	HP and Voltage		Configuration	Dimensions						Weight Lb.
	208/230 Vac	460 Vac		H	H1	W	W1	D	D2	
5	5HP, 7.5HP, 10HP,	10HP, 15HP, 20HP,	Disconnect Only	24	22.5	16	20.5	10	12	61
			2-Contactor	24	22.5	20	24.5	10	10.5	72
			3-Contactor	30	28.5	24	24.5	10	12	78
			3-Contactor with Auto-Bypass	30	28.5	24	24.5	10	12	78

Fig. 8. Frame 5 NEMA3R, Disconnect Only, 2 Contactor, 3 Contactor and 3 Contactor with Auto-Bypass.





**Automation and Control Solutions**

Honeywell International Inc.  
1985 Douglas Drive North  
Golden Valley, MN 55422  
[customer.honeywell.com](http://customer.honeywell.com)

© U.S. Registered Trademark  
© 2013 Honeywell International Inc.  
63-4381—02 M.S. Rev. 03-13  
Printed in United States

**Honeywell**