

SmartVFD Frame 4 Wiring Diagrams and Dimensional Drawings

SPECIFICATION DATA

SmartVFD Frame Size 4

460 Vac: 1.5-7.5 HP

208/230 Vac: 0.75-4 HP

CONTENTS

SmartVFD Frame 4 Wiring Diagrams	2
Frame 4, Fused Disconnect Wiring Diagrams	2
Frame 4, 2 Contactor Wiring Diagrams	3
Frame 4, 3 Contactor Wiring Diagrams	4
Frame 4, 3 Contactor Auto-bypass Wiring Diagrams	5
SmartVFD Frame 4 Dimensional Diagrams	6
Frame 4: NEMA1, Disconnect Only and 2 Contactor	6
Frame 4 NEMA 1, 3 Contactor and 3 Contactors with Auto-Bypass	7
Frame 4 NEMA12, Disconnect Only, 2 Contactor, 3 Contactor and 3 Contactor with Auto-Bypass	8
Frame 4 NEMA3R, Disconnect Only, 2 Contactor, 3 Contactor and 3 Contactor with Auto-Bypass	9



SMARTVFD FRAME 4 WIRING DIAGRAMS AND DIMENSIONAL DRAWINGS

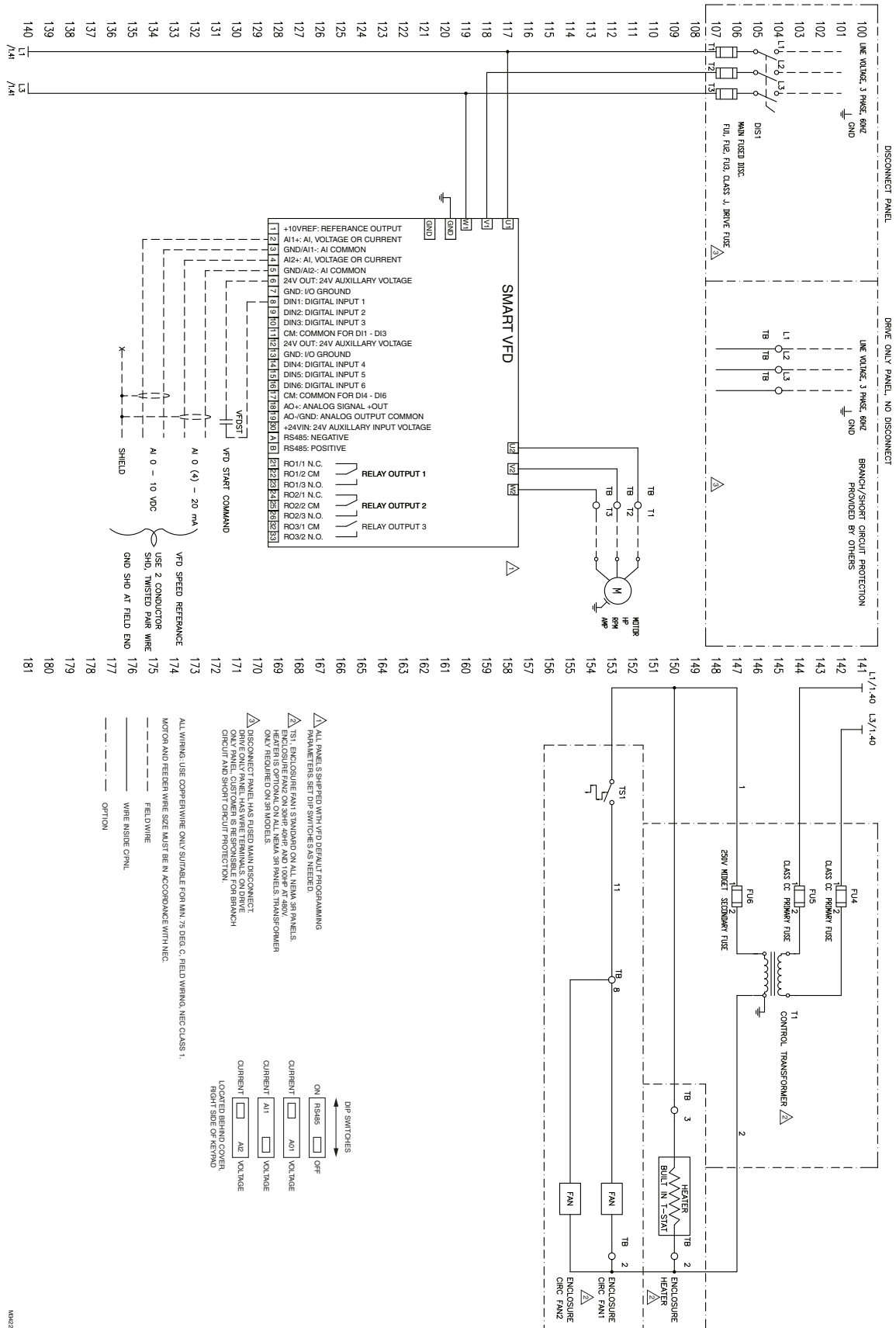


Fig. 1. Frame 4, Fused Disconnect Wiring Diagrams.

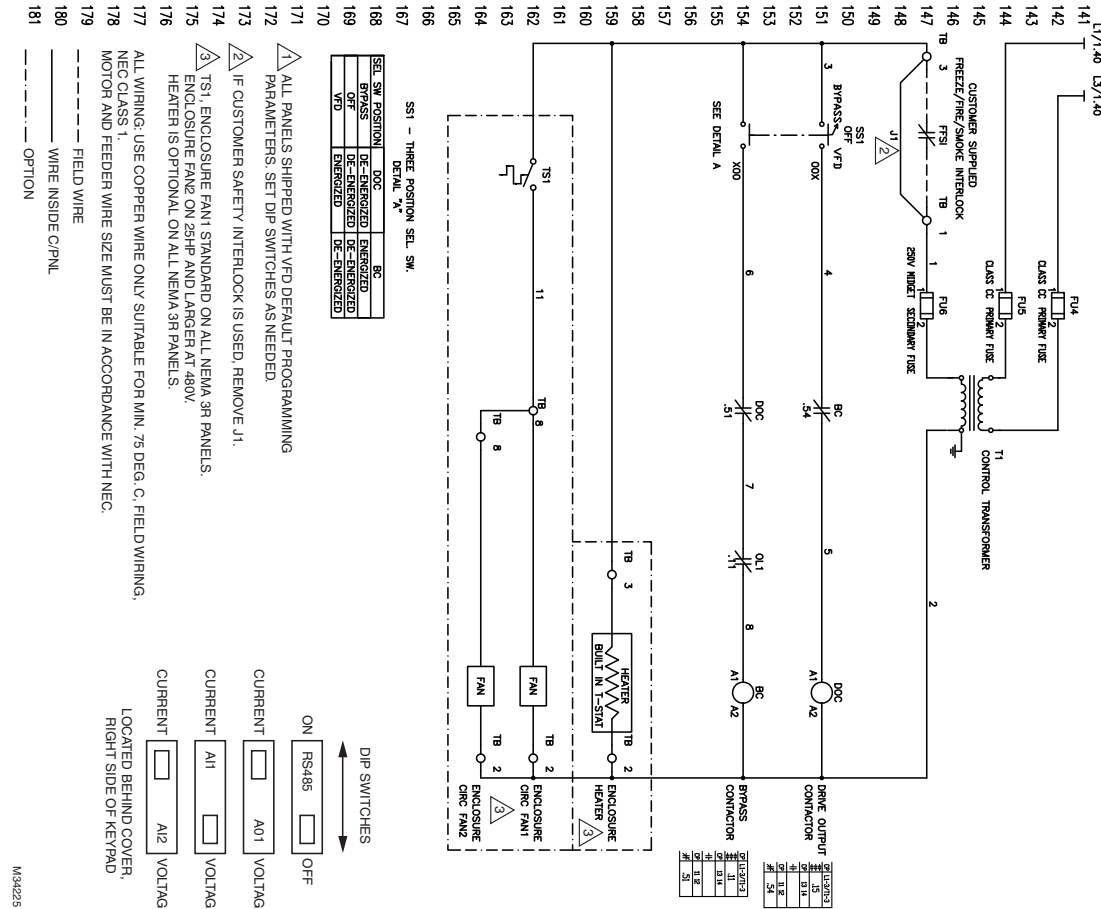
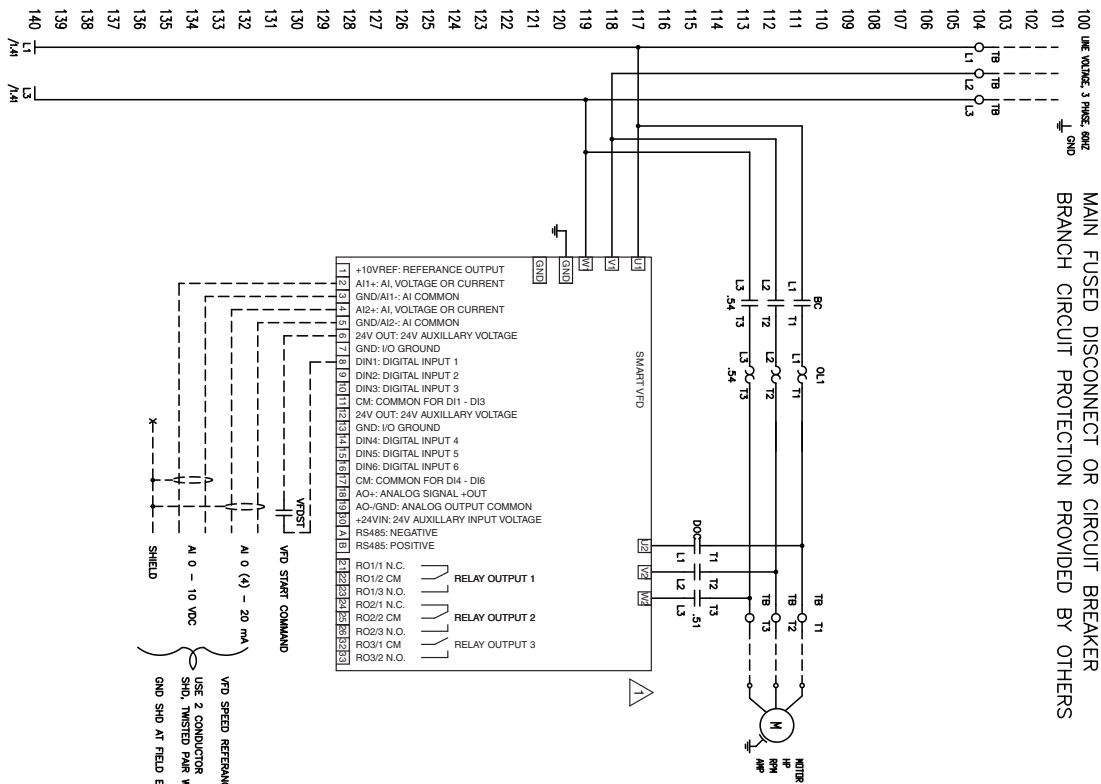
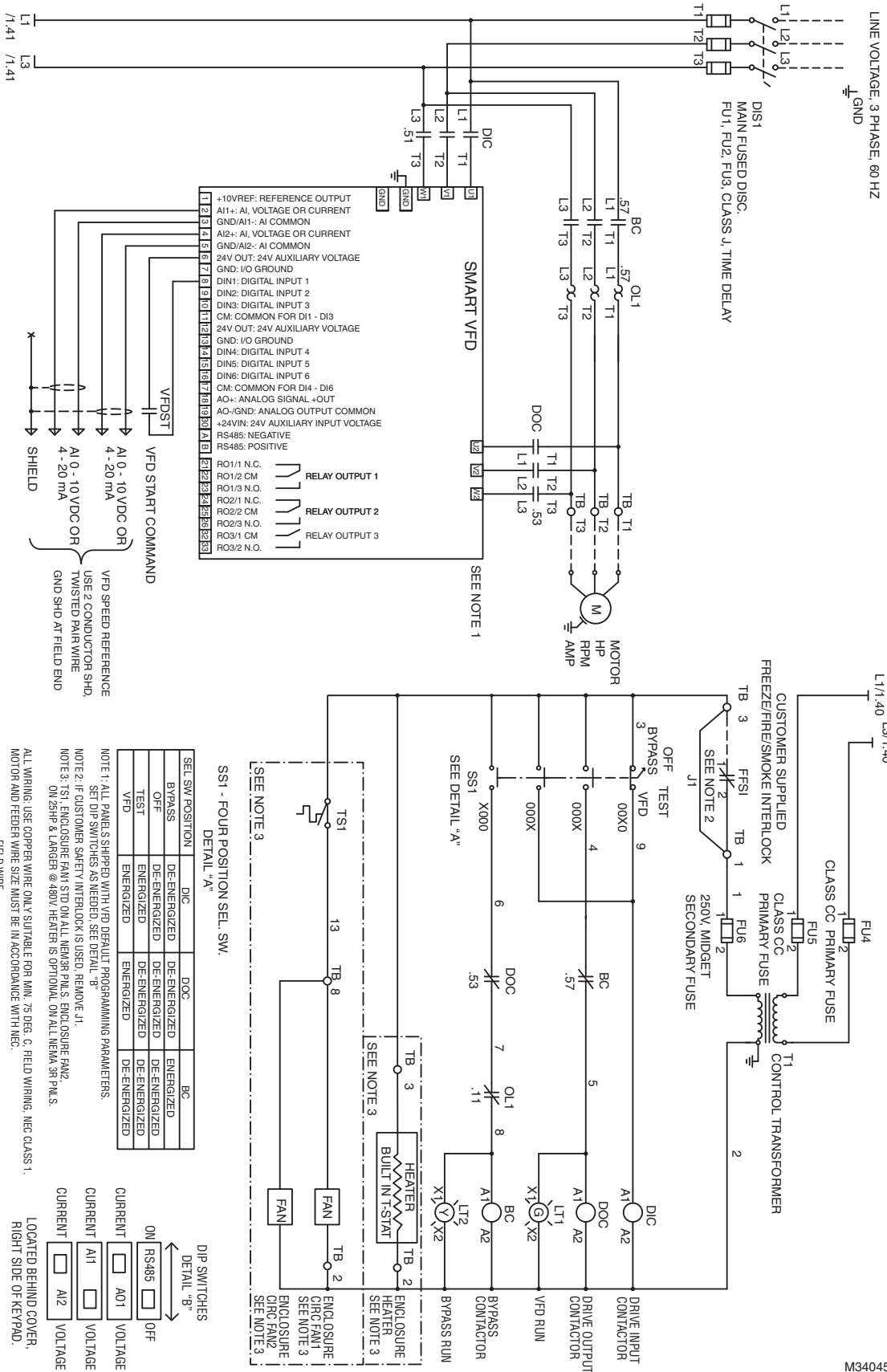


Fig. 2. Frame 4, 2 Contactor Wiring Diagram.



M34045

Fig. 3. Frame 4, 3 Contactor Wiring Diagram.

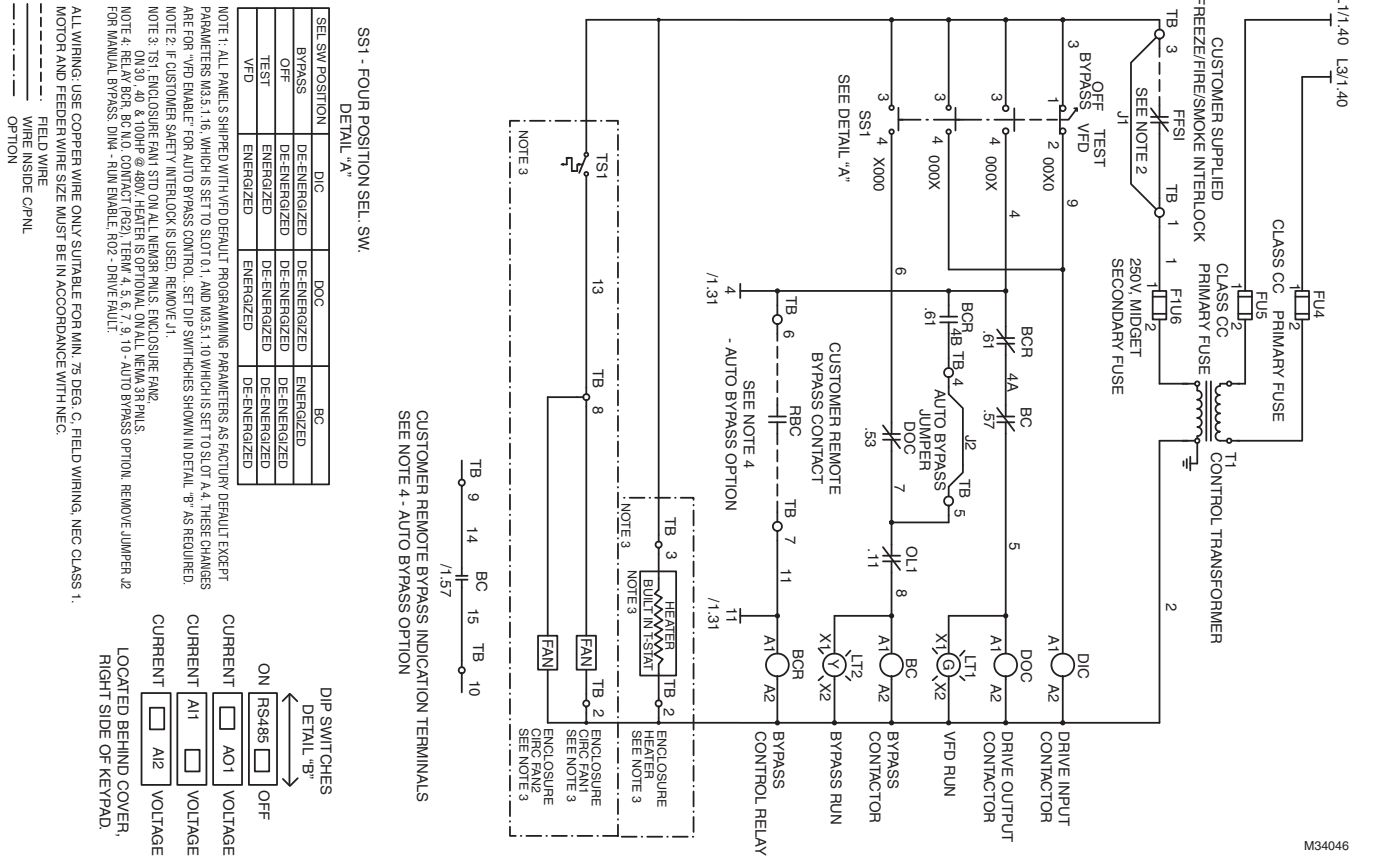
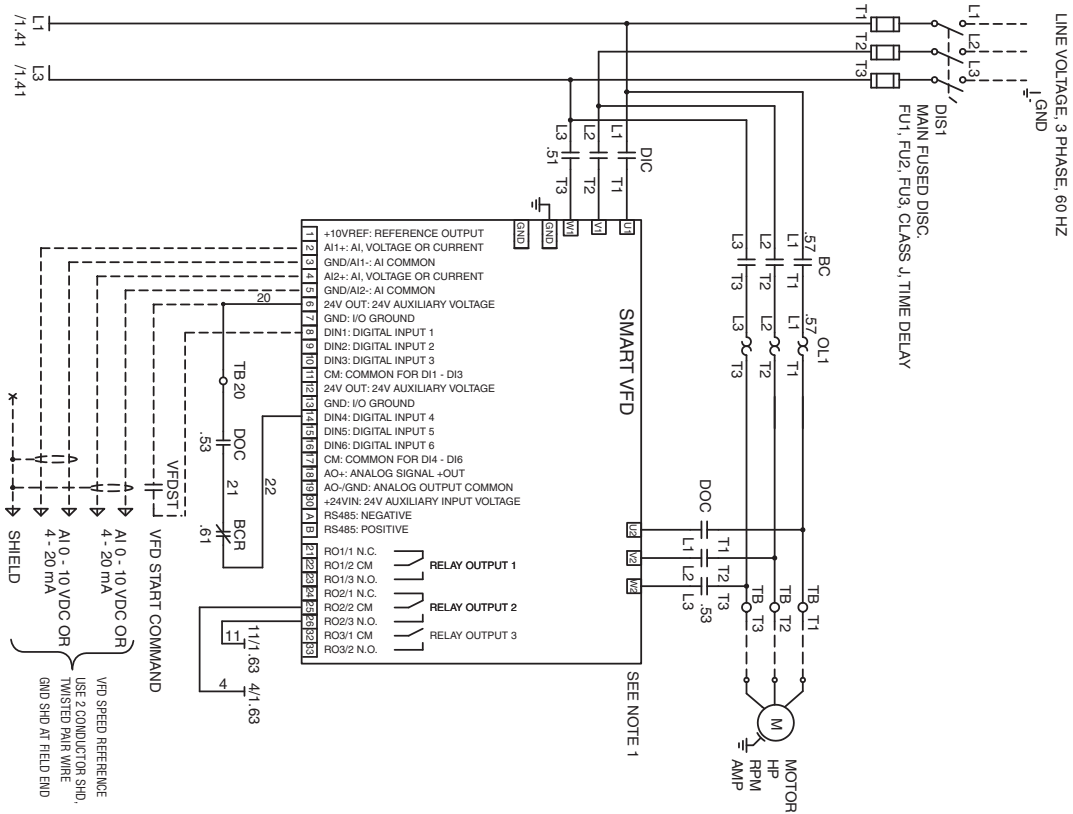
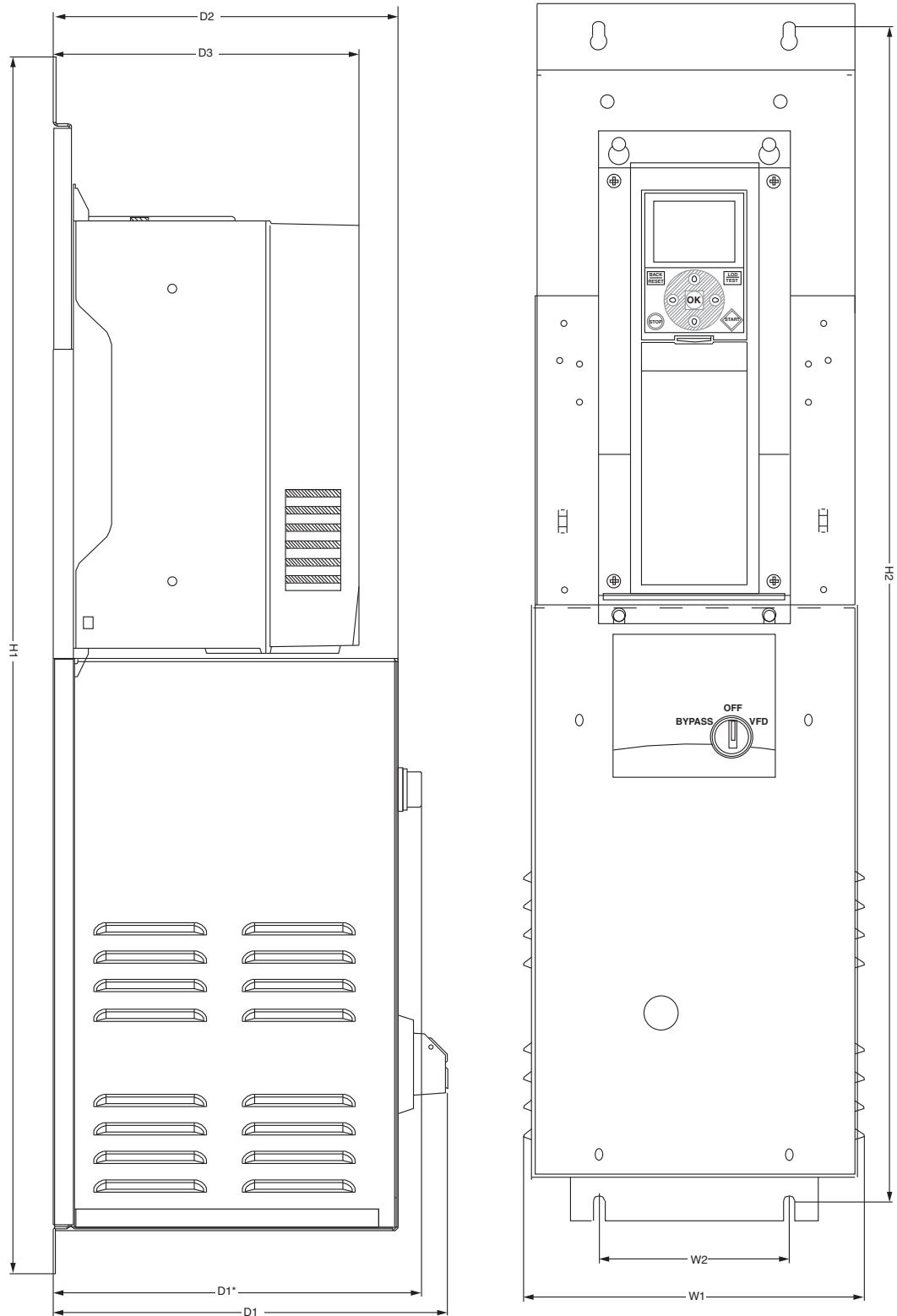


Fig. 4. Frame 4, 3 Contractor Auto-bypass Wiring Diagrams.

SMARTVFD FRAME 4 WIRING DIAGRAMS AND DIMENSIONAL DRAWINGS

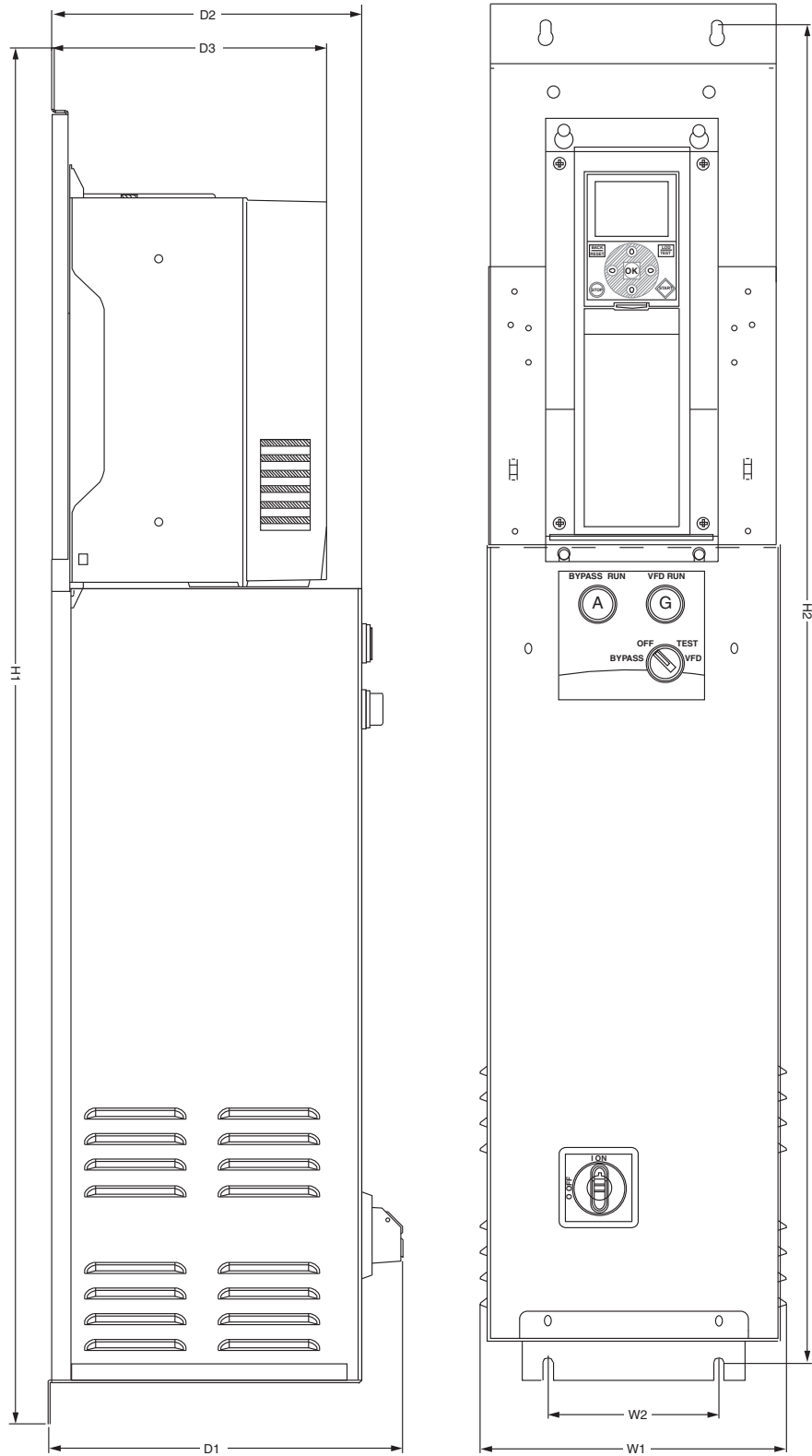


NEMA1 DISCONNECT ONLY AND 2 CONTACTOR

FRAME SIZE	HP AND VOLTAGE		CONFIGURATION	DIMENSIONS							WEIGHT LB.
	208/230 VAC	460 VAC		W1	W2	H1	H2	D1	D2	D3	
4	0.75-3HP	1.5-7.5HP	DISCONNECT	8.92	4.98	31.91	30.8	10.36	9.04	8.01	33
*DEPTH OF 2 CONT ONLY			2-CONTRACTOR	8.92	4.98	31.91	30.8	*9.64	9.04	8.01	38

M31529A

Fig. 5. Frame 4: NEMA1, Disconnect Only and 2 Contactor Dimensional Drawings.



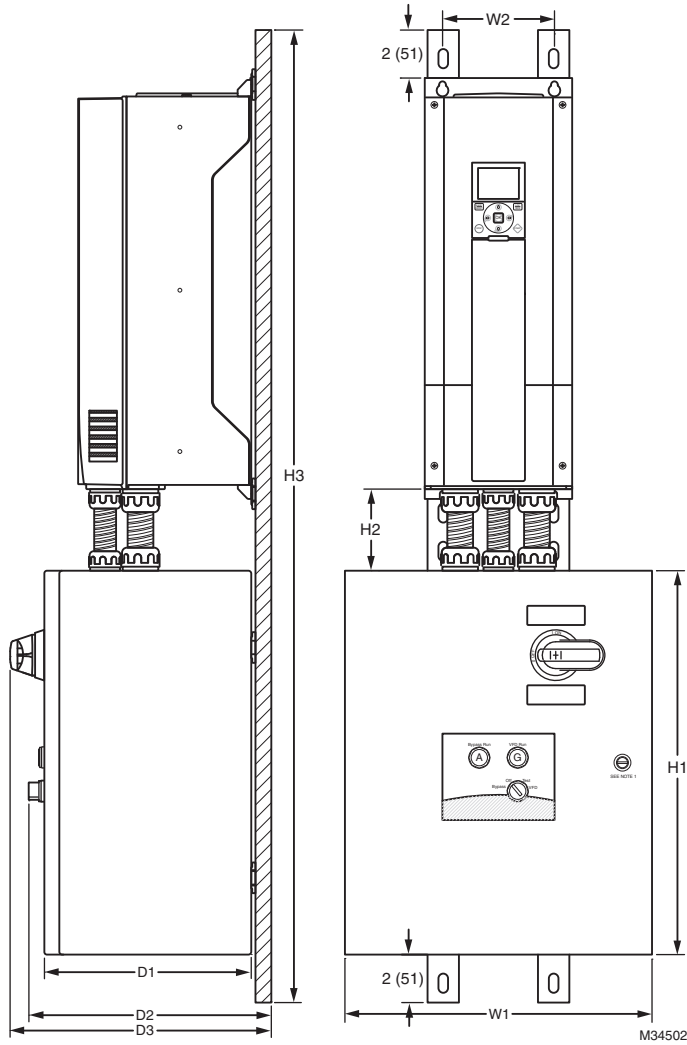
NEMA1 3 CONTACTOR AND 3 CONTACTOR WITH AUTO BYPASS

FRAME SIZE	HP AND VOLTAGE		CONFIGURATION	DIMENSIONS							WEIGHT LB.
	208/230 VAC	460 VAC		W1	W2	H1	H2	D1	D2	D3	
4	0.75-3HP	1.5-7.5HP	3-CONTRACTOR	8.92	4.98	38.91	37.8	10.36	9.04	8.01	44
			3-CONTRACTOR WITH AUTO BYPASS	8.92	4.98	38.91	37.8	10.36	9.04	8.01	46

M31530A

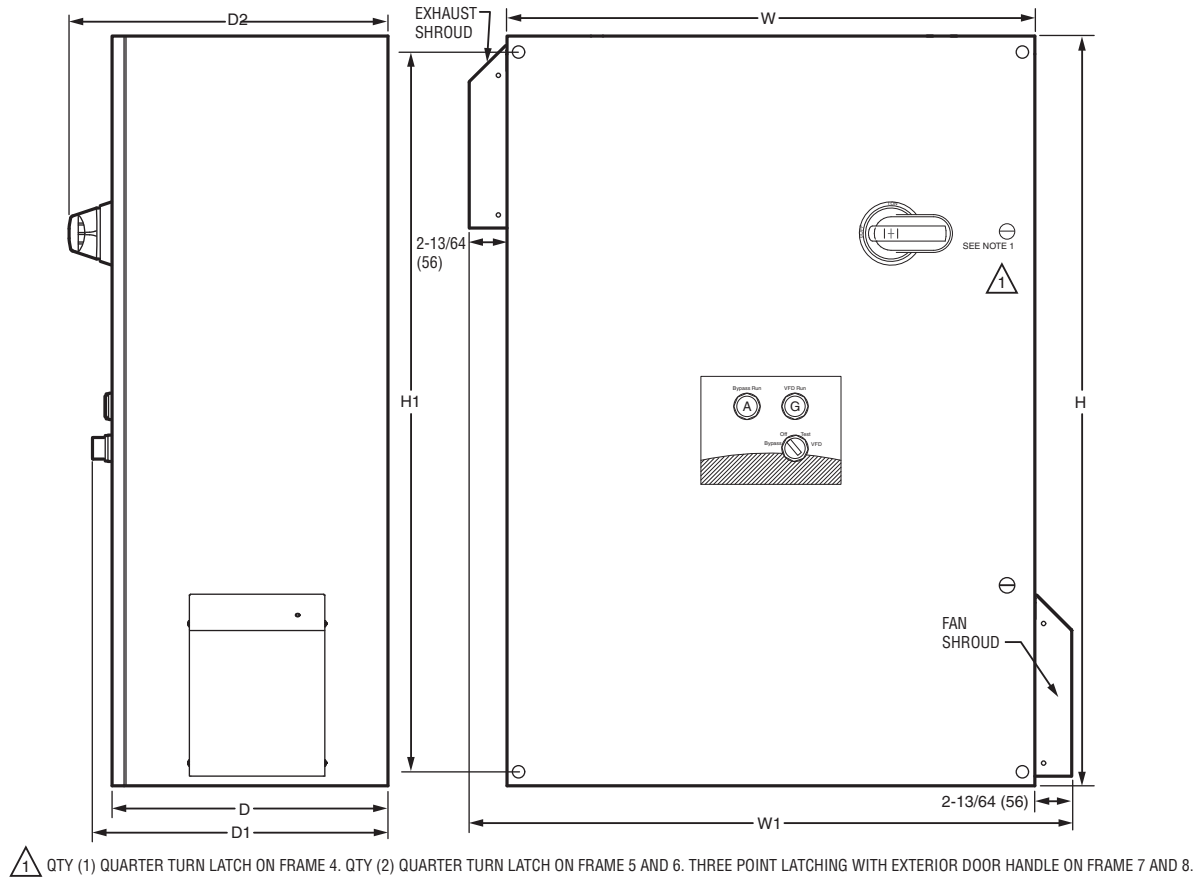
Fig. 6. Frame 4 NEMA 1, 3 Contactor and 3 Contactors with Auto-Bypass Dimensional Drawings.

SMARTVFD FRAME 4 WIRING DIAGRAMS AND DIMENSIONAL DRAWINGS



Frame Size	HP and Voltage		Configuration	Dimensions								Weight Lb.
	208/230 Vac	460 Vac		H1	H2	H3	W1	W2	D1	D2*	D3	
4	0.75HP	1.5HP	Disconnect Only	16	5	37.5	12	4	8		11	40
	1HP	2HP										
	1.5HP	3HP										
	2HP	4HP										
	3HP	5HP										
		7.5HP										
4	0.75HP	1.5HP	2-Contactor 3-Contactor 3-Contactor with Auto-Bypass	16	5	37.5	12	4	8	9.5	11	40
	1HP	2HP										
	1.5HP	3HP										
	2HP	4HP										
	3HP	5HP										
		7.5HP										

Fig. 7. Frame 4 NEMA12, Disconnect Only, 2 Contactor, 3 Contactor and 3 Contactor with Auto-Bypass.



M34503

Frame Size	HP and Voltage		Configuration	Dimensions					Weight	
	208/230 Vac	460 Vac		H	H1	W	W2	D	D2	Lb.
4	0.75HP, 1HP, 1.5HP, 2HP, 3HP	1.5HP, 2HP, 3HP, 4HP, 5HP, 7.5HP	Disconnect Only	20	18.5	16	20.5	10	12	43
			2-Contactor	24	22.5	20	24.5	10	10.5	49
			3-Contactor	24	22.5	20	24.5	10	12	54
			3-Contactor with Auto-Bypass	24	22.5	20	24.5	10	12	54

Fig. 8. Frame 4: NEMA3R, Disconnect Only, 2 Contactor, 3 Contactor and 3 Contactor with Auto-Bypass.

Automation and Control Solutions

Honeywell International Inc.
1985 Douglas Drive North
Golden Valley, MN 55422
customer.honeywell.com

© U.S. Registered Trademark
© 2013 Honeywell International Inc.
63-4379—02 M.S. Rev. 03-13
Printed in United States

Honeywell