

142 lb-in. Spring Return Direct Coupled Actuators

ML4195, ML6195, ML6295, ML7295, ML8195

ADDENDUM

CHANGES

This document updates ML4195, ML7295, ML8195 Specification and Product Data sheets (forms 63-1280, 63-2538, and 63-2539) to change the cable specifications (in all documents) and some wiring information.

Cable Ratings

Control: Standard models include non-plenum UL/CSA rated 300V, 176°F (80°C) 18-gauge double-insulated cable.

Wiring Diagrams

63-2538 (Two-Position)

Page 6—Fig. 6: Change Fig. 6 to:

- remove “GND GREEN” wire connection. (Changed art, ref. M12450, see Fig. 1A.)
- Add double insulation symbol.

Page 6—Fig. 7: Change Fig. 7 to:

- Remove “GND GREEN” wire connection. (Changed art, ref. M12451, see Fig. 2A.)
- Add double insulation symbol.

63-2539 (Modulating)

Page 6—Fig. 6: Change Fig. 6 to:

- remove “GND GREEN” wire connection. (Changed art, ref. M12452, see Fig. 3A.)
- Add double insulation symbol.

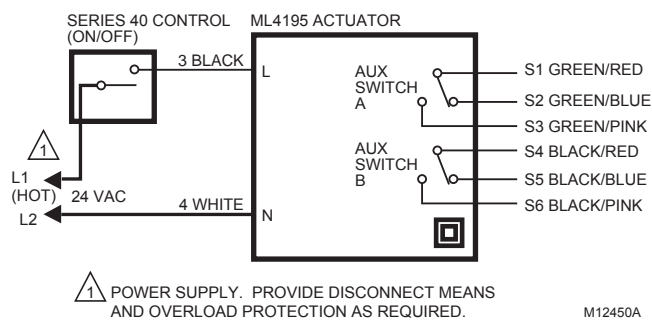


Fig. 1A. ML4195 typical wiring diagram.



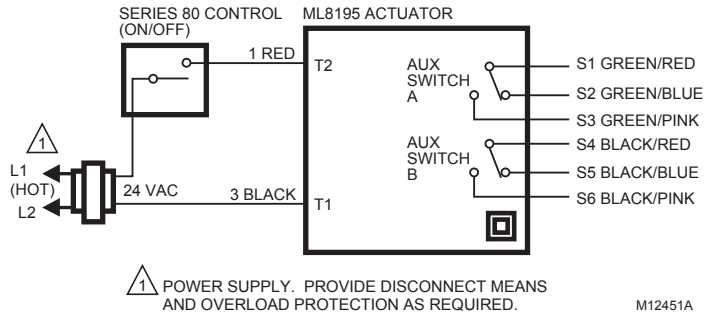


Fig. 2A. ML8195 typical wiring diagram.

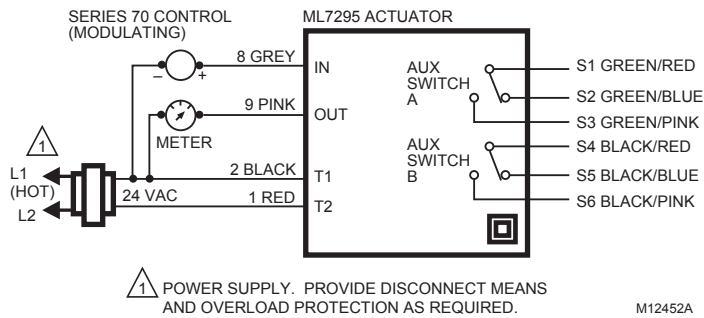


Fig. 3A. ML7295 typical wiring diagram.

Honeywell

Automation and Control Solutions

Honeywell International Inc.
1985 Douglas Drive North
Golden Valley, MN 55422

Honeywell Limited-Honeywell Limitée
35 Dynamic Drive
Scarborough, Ontario
M1V 4Z9

Honeywell International

Control Products
Honeywell Building
17 Changi Business Park Central 1
Singapore 486073

Honeywell Europe S.A.

3 Avenue du Bourget
1140 Brussels
Belgium

Honeywell Latin American Region

480 Sawgrass Corporate Parkway
Suite 200
Sunrise FL 33325

