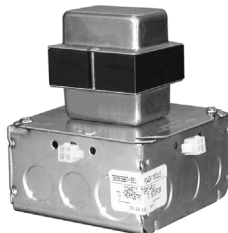


## 32003967-001, 32003967-003 Power Control Modules FOR MIT APPLICATIONS



The 32003967-001 and 32003967-003 Power Control Modules are for heating, ventilation, and air conditioning (HVAC) applications using an MIT system. They provide low-voltage power to the controller and damper actuator and route the control signal from the controller to the actuator.

NOTE: The 32003967-003 is a UL approved device that replaces the 32003967-002.

### SPECIFICATIONS

#### Electrical Ratings:

- Primary Voltage:
  - 32003967-001: 120 Vac, 50/60 Hz.
  - 32003967-003: 120/240/277 Vac, 50/60 Hz.
- Secondary Voltage:
  - 32003967-001: 24 Vac, 60 Hz at 40 VA.
  - 32003967-003: 24 Vac, 50/60 Hz at 90 VA.
- Connection: Four-pin Molex® leads.

#### Device Capacities (Number of Controllable Actuators):

- 32003967-001 (Limited by Controller):
  - W7760: Control a maximum of 2 actuators.
  - T6984: Control a maximum of 4 actuators.
- 32003967-003 (Limited by Transformers and Triac Switches): Control a maximum of 14 actuators.

#### Ambient Operating Range:

- Temperature:
  - Operating: 40°F to 104°F (6°C to 40°C).
  - Shipping: -40°F to +150°F (-40°C to +65°C).
- Humidity: 5 to 95 percent RH (non-condensing).

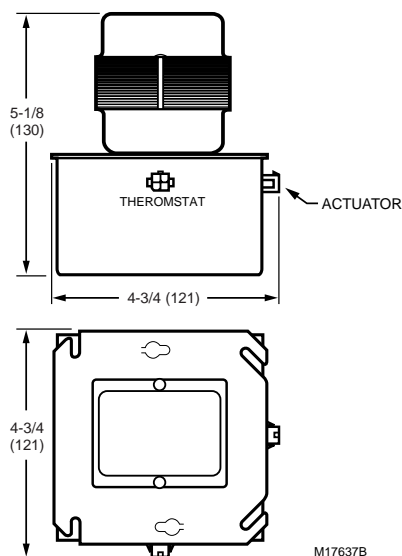


Fig. 1. 32003967-001 dimensions in in. (mm).

### SPECIFICATION DATA

### FEATURES

- Easy installation.
- Integral transformer.
- Integral circuit breaker on transformers.
- Modular connections to controller and actuators.
- Use with 50 ft, #16, 4-conductor cables with modular connector for connecting controller to the module.
- Use with 25 ft, #16, 4-conductor cables with modular connectors for connecting controller to the module to the actuator and connecting actuator to actuator.

#### 32003967-001

- Use to control up to 2 or 4 actuators (depending on controller used).

#### 32003967-003

- The chain port can drive an additional 32003967-003.
- Use to control up to 14 actuators, typically 7 per port. (Limiting factors are transformers and triac switches.)

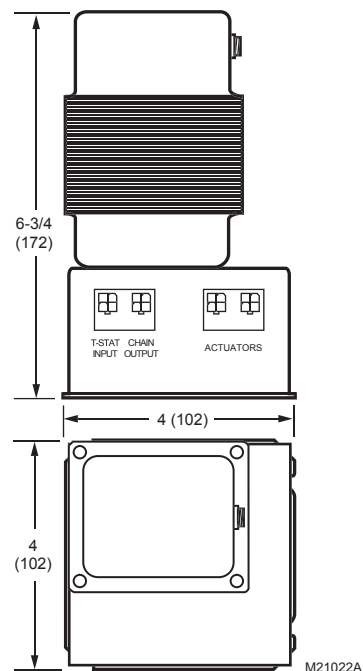
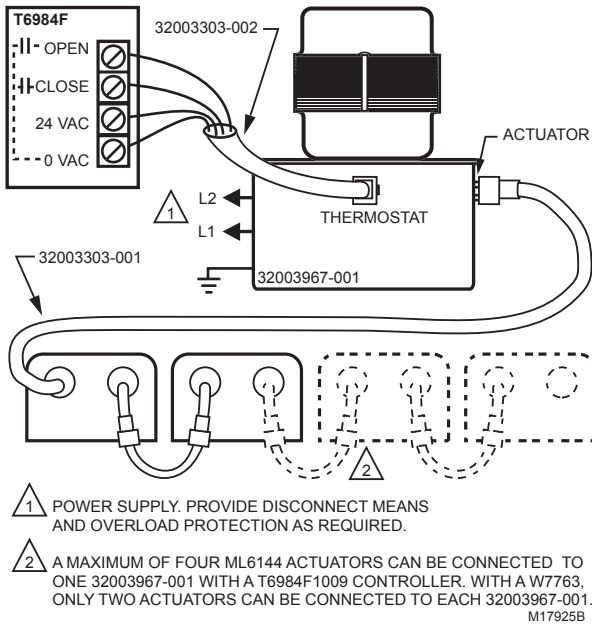


Fig. 2. 32003967-003 dimensions in in. (mm).



**Approvals (for 32003967-003 only):**

- ☐ Underwriters Laboratories Inc. Listed.
- ☐ Canadian Underwriters Laboratories Inc. Listed.
- ☐ Insulation, wire nuts and electrical box conform to National Electric Code.



**Fig. 3. Wiring 32003967-001.**

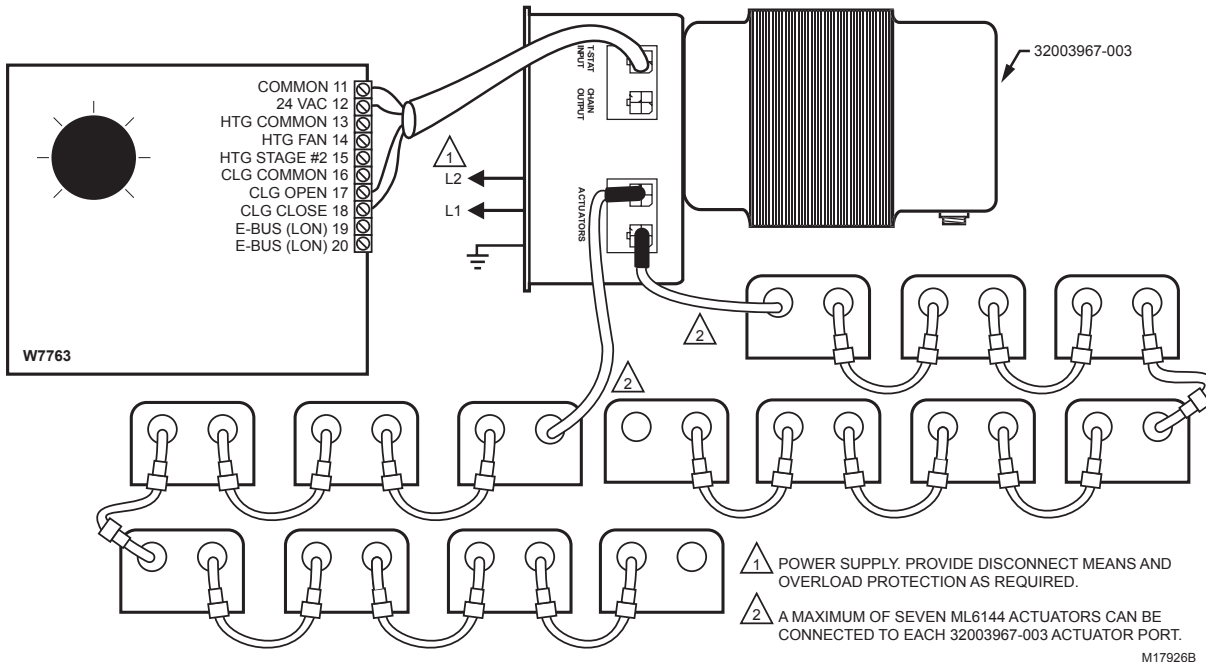
**TYPICAL SPECIFICATION**

Power Control Modules (PCM) shall be used to step down to 24 Vac from either 120 Vac or 120/240/277 Vac. They shall consist of a 4 in. by 4 in. junction box with a transformer mounted on one end and internal wiring to the transformer from externally mounted connectors used to connect 32003303-001 (25 ft), 32003303-002 (50 ft), 32003303-005 (25 ft extension), and 32003303-006 (1 ft splitter) Wire Assemblies. An insulator separates the line- and low-voltage sections of the 4 by 4 box.

The transformers shall have an open-circuit secondary voltage rating of: 26.5 Vac (120 Vac models) or 27.5 Vac (120/240/277 Vac models). Transformers with a 120 Vac primary shall be NEMA type D with a 40 VA output. Transformers with a 120/240/277 Vac primary shall have a 90 VA output.

Each PCM shall supply power for one T6984 Thermostat or W7763 Controller wired to the PCM using a 32003303-002 Wire Assembly. A label on the PCM exterior shall identify the connectors used for the thermostat and the actuators.

The 32003967-001 shall, when controlled by a T6984, supply power for up to four ML6144 Direct Coupled Rotary Actuators wired in series using 32003303-001 cable assemblies. When controlled by a W7763, it shall supply power for up to two ML6144 Direct Coupled Rotary Actuators wired in series using 32003303-001 Wire Assemblies. The 32003967-003 shall supply power for up to fourteen ML6144 Direct Coupled Rotary Actuators—typically seven wired in series per port—using 32003303-001 Wire Assemblies and is limited by neither T6984 nor W7763.



**Fig. 4. Wiring 32003967-003.**

Molex® is a registered trademark of Molex Inc.

**Honeywell**