

VFD CORE Keypad Remote Mounting Kit

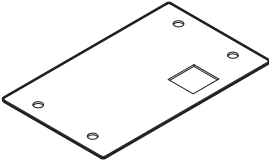
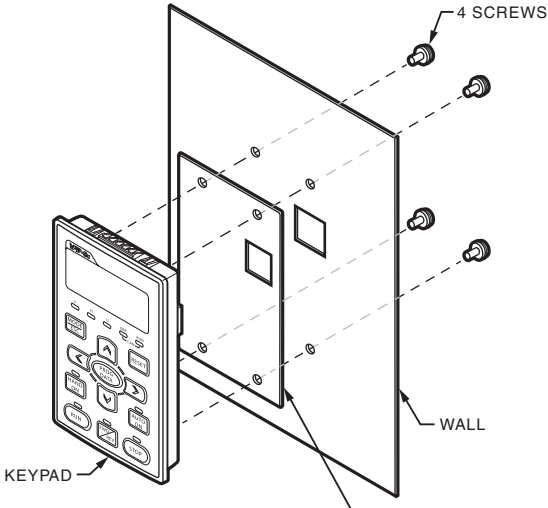
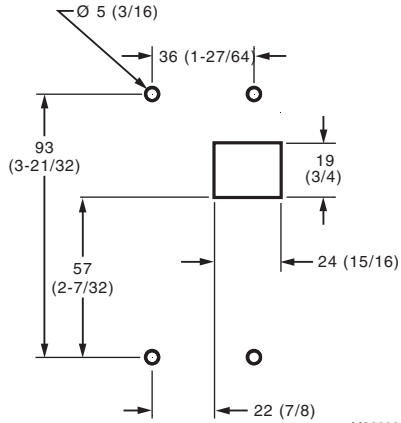
INSTALLATION INSTRUCTIONS

These instructions describe how to use the Remote Mount Kit (HCRDMOUNTKIT) with a VFD CORE Keypad (HCRDKEYPAD) to remotely surface mount the keypad on a wall or to embed the keypad into the face of a remote panel. Only one keypad, on the drive or remotely mounted, may be used to interface with the drive at any one time.

This kit includes the following components:

1. Mounting Plate
2. 2 Brackets
3. 4 Screws

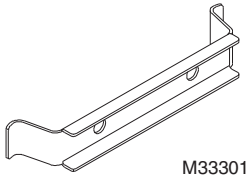
NOTE: The Cat 5 Cable that connects the drive to the keypad must be purchased locally for the desired length. The maximum cable length is 100 ft.

Wall Mounting	
<p>1. Panel for wall mounting (1 piece)</p>  <p style="text-align: right; margin-right: 50px;">M33300</p> <p>Screw (4 pieces) ~M4*p 0.7 *L8 mm Torque 10-12 kg-cm (8.7-10.4 lb-in.)</p>	<p>3. As shown in the image below, place the keypad on the mounting plate. Then screw the four (4) M4 size screws to secure the keypad on the wall. Torque 10-12kg-cm (8.7-10.4lb-in.)</p>  <p style="text-align: right; margin-right: 50px;">M33304</p>
<p>2. Panel cutout dimension. Units in in. (mm)</p>  <p style="text-align: right; margin-right: 50px;">M33302</p>	



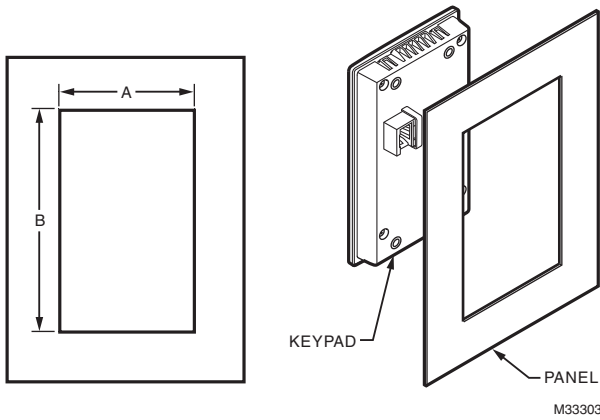
Embedded Mounting

1. Side bracket (2 pieces)



Screw *4 ~M4*p 0.7 *L8 mm
Torque 10-12 kg-cm (8.7-10.4 lb-in.)

2. Panel cutout dimension. Units in in. (mm)



Normal Cutout Dimension in in. (mm)

Panel Thickness	0.047 (1.2)	0.063 (1.6)	0.079 (2.0)
A	2.614 (66.4)		
B	4.339 (110.2)	4.382 (111.3)	4.429 (112.5)

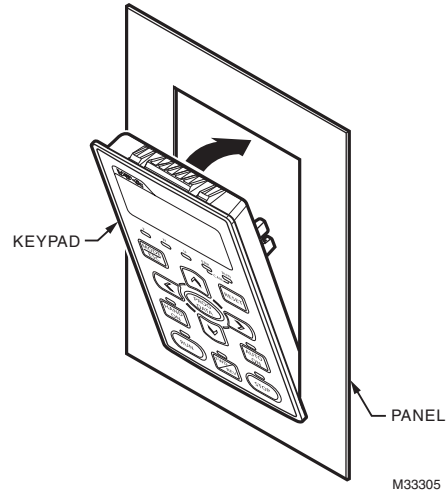
Deviation: ±0.0059 in. / ±0.15mm

Waterproof level (IP56) Cutout Dimension in in. (mm)

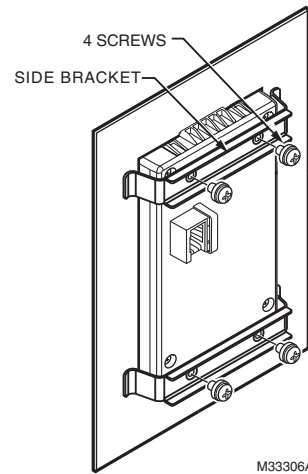
Panel Thickness	0.047 (1.2)	0.063 (1.6)	0.079 (2.0)
A	2.614 (66.4)		
B	4.382 (111.3)		

Deviation: ±0.0059 in. / ±0.15mm

3. As shown in the image below, insert the keypad into the center of the panel.



Then fit the keypad on the panel by tightening brackets on both sides with screws.



Automation and Control Solutions

Honeywell International Inc.
1985 Douglas Drive North
Golden Valley, MN 55422
customer.honeywell.com

