

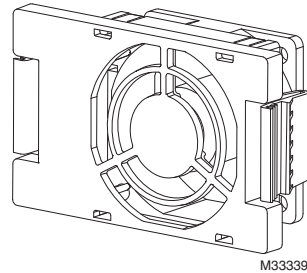
VFD CORE Fan Kit

INSTALLATION INSTRUCTIONS

OUTER APPEARANCE OF FANS

HCRDFANFRA1H/U: Heat Sink Cooling Fan, Frame A for 3 HP - 7.5 HP, 208/230V and 5 HP - 10 HP, 460V

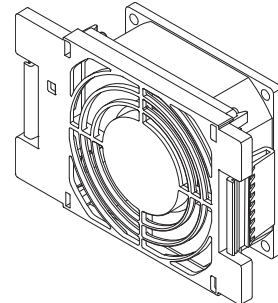
HCRDA0030A1000T
 HCRDA0050A1000T
 HCRDA0075A1000T
 HCRDC0050A1000T
 HCRDC0075A1000T
 HCRDC0100A1000T



M33339

HCRDFANFRB1H/U: Heat Sink Cooling Fan, Frame B for 10 HP, 208/230V and 15 HP, 460V

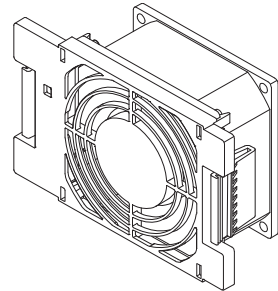
HCRDA0100B1000T
 HCRDC0150B1000T



M33340

HCRDFANFRB2H/U: Heat Sink Cooling Fan, Frame B for 15 HP, 208/230V and 20 HP - 25 HP, 460V

HCRDA0150B1000T
 HCRDC0200B1000T
 HCRDC0250B1000T



M33341

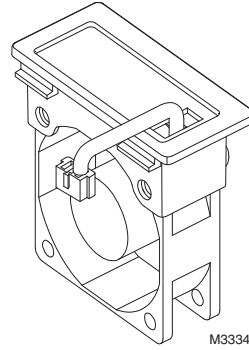
HCRDFANFRB3H/U: Heat Sink Cooling Fan, Frame B for 20 HP, 208/230V

HCRDA0200B1000T



HCRDFANFRB1B/U: Board Assembly Cooling Fan Frame B for 10 HP - 20 HP, 208/230V and 15HP - 25 HP, 460V

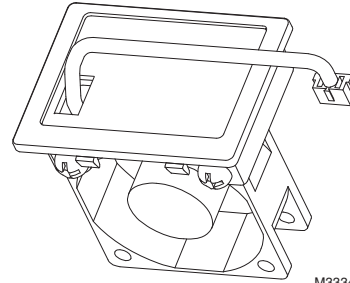
HCRDA0100B1000T
 HCRDA0150B1000T
 HCRDA0200B1000T
 HCRDC0150B1000T
 HCRDC0200B1000T
 HCRDC0250B1000T



M33342

HCRDFANFRC1B/U: Board Assembly Cooling Fan Frame C for 25 HP - 40 HP, 208/230V

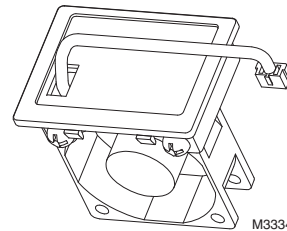
HCRDA0250C1000T
 HCRDA0300C1000T
 HCRDA0400C1000T



M33343

HCRDFANFRC2B/U: Board Assembly Cooling Fan Frame C for 30 HP - 50 HP, 460V

HCRDC0300C1000T
 HCRDC0400C1000T
 HCRDC0500C1000T

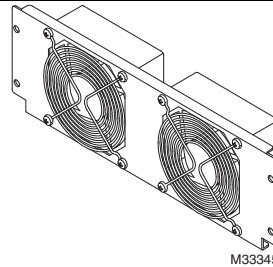


M33344

HCRDFANFRD1H/U: Heat Sink Cooling Fan Frame D for 50 HP - 60 HP, 208/230V and 60 HP - 125 HP, 460V

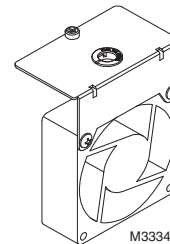
HCRDFANFRD1B/U: Board Assembly Cooling Fan D for 60 HP - 125 HP, 460V

HCRDA0500D1000T
 HCRDA0600D1000T
 HCRDC0600D1000T
 HCRDC0750D1000T
 HCRDC1000D1000T
 HCRDC1250D1000T



M33345

**HCRDFANFRD1H/U:
Heat Sink Cooling Fan**

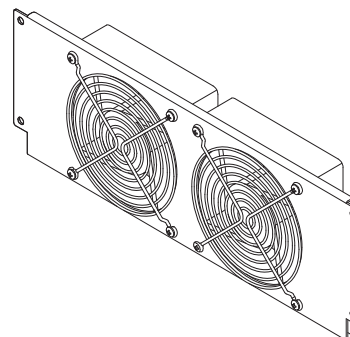


M33346

**HCRDFANFRD1B/U:
Board Assembly Cooling Fan**

HCRDFANFRE1H/U: Heat Sink Cooling Fan, Frame E for 75 HP - 100 HP, 208/230V

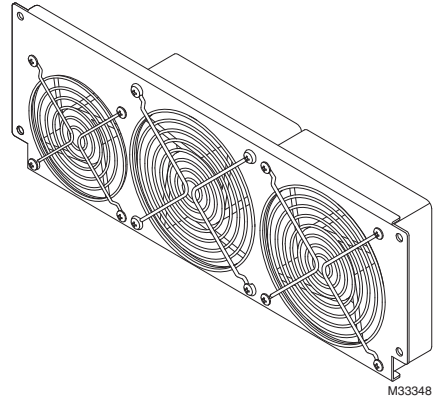
HCRDA0750E1000T
 HCRDA1000E1000T



M33347

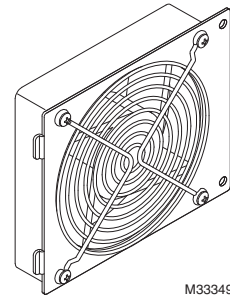
HCRDFANFRE2H/U: Heat Sink Cooling Fan, Frame E for 125HP, 208/230V

HCRDA1250E1000T



HCRDFANFRE1B/U: Board Assembly Cooling Fan, Frame E for 75 HP - 125 HP, 208/230V

HCRDA0750E1000T
HCRDA1000E1000T
HCRDA1250E1000T



FAN REMOVAL

Heat Sink Cooling Fan Frame A

Corresponding models:

HCRDA0030A1000T, HCRDA0050A1000T, HCRDA0075A1000T, HCRDC0050A1000T

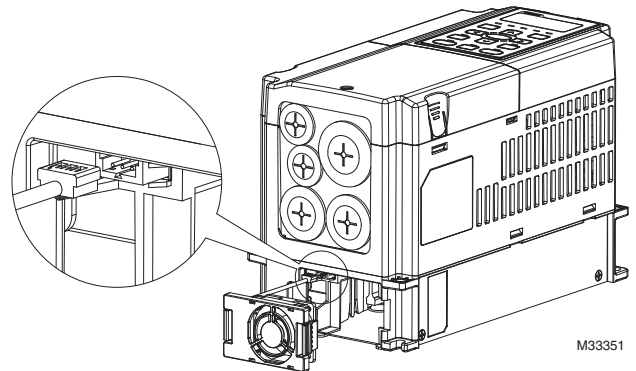
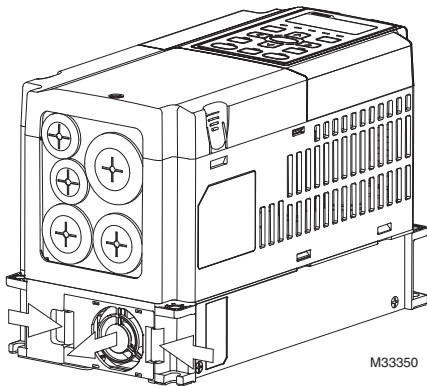
HCRDC0075A1000T, HCRDC0100A1000T



CAUTION

Disconnect fan power before removing the fan.

1. As shown by the arrow signs, press the tabs on both sides of the fan to remove it.
2. As shown by the partially enlarged image below, remove the fan from the unit.



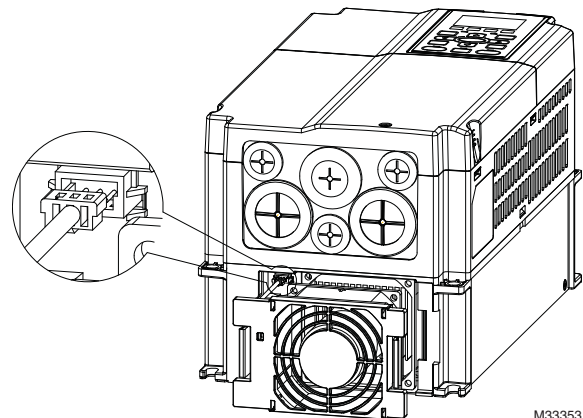
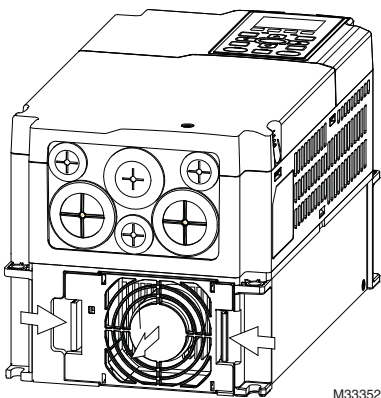
Heat Sink Cooling Fan Frame B

Corresponding models:

HCRDA0100B1000T, HCRDA0150B1000T, HCRDC0150B1000T

HCRDA0200B1000T, HCRDC0200B1000T, HCRDC0250B1000T

1. As shown by the arrow signs, press the tabs on both sides of the fan to remove it.
2. As shown by the partially enlarged image below, remove the fan from the unit.



Board Assembly Cooling Fan Frame B and Frame C

Corresponding models Frame B:

HCRDA0100B1000T, HCRDA0150B1000T, HCRDC0150B1000T

HCRDA0200B1000T, HCRDC0200B1000T

HCRDA0250C1000T, HCRDC0250B1000T

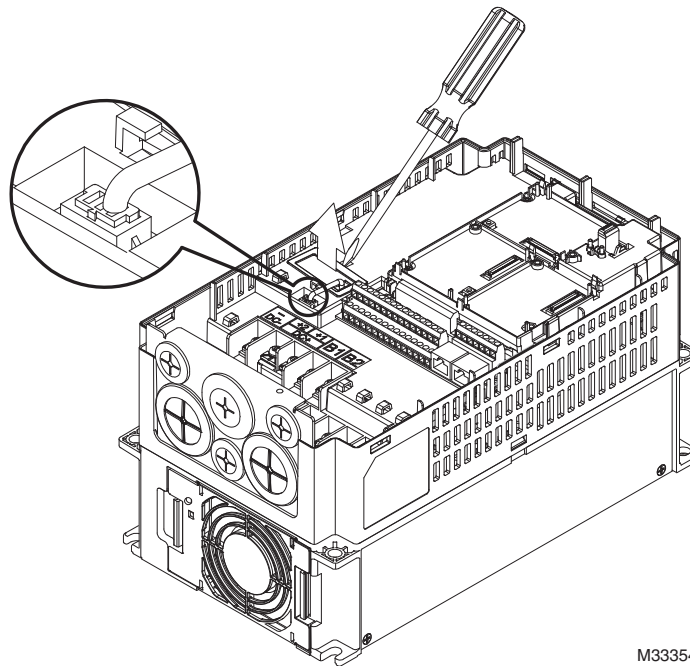
Corresponding models Frame C:

HCRDA0250C1000T, HCRDA0300C1000T, HCRDA0400C1000T

HCRDC0300C1000T, HCRDC0400C1000T

HCRDA0500D1000T

As shown by the partially enlarged image, disconnect the fan's power, then use a screwdriver to unclench and remove the fan.



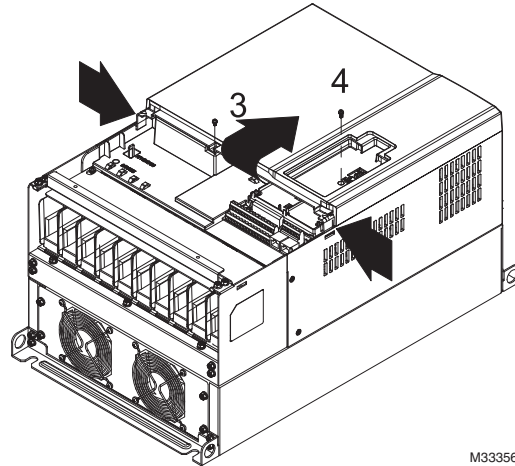
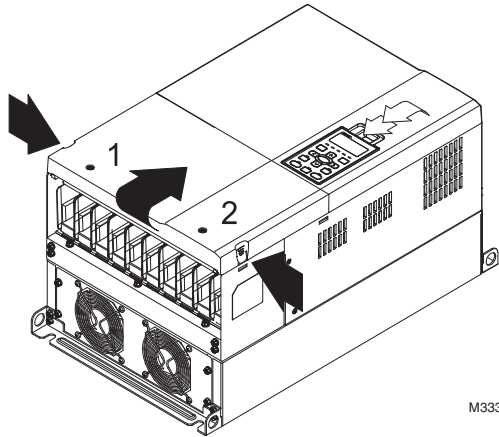
M33354

Heat Sink Cooling Fan Frame D

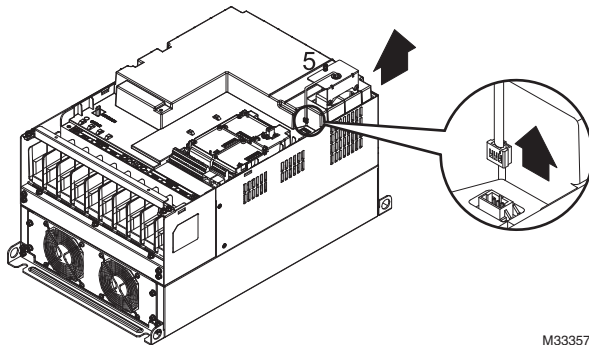
Corresponding models:

HCRDA0500D1000T, HCRDA0600D1000T, HCRDC0600D1000T, HCRDC0750D1000T, HCRDC1000D1000T, HCRDC1250D1000T

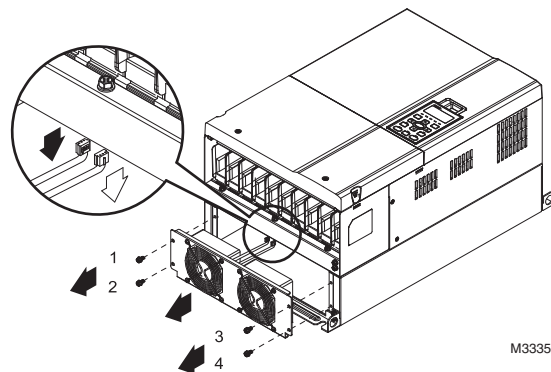
1. Loosen screw 1 and screw 2, then press the right and left sides to remove the cover, following the directions of the arrows. Press on top of the digital keypad to properly remove it. Screw torque: 10~12kg-cm (8.6~10.4in-lbf).
2. Loosen screw 3 and screw 4, then press the tab on the right and left to remove the cover. Screw torque: 6~8kg-cm (5.2~6.9in-lbf)



3. Loosen screw 5 and disconnect the fan's power. Screw torque: 10~12kg-cm (8.6~10.4in-lbf).



4. Loosen screws 1~4. Screw torque: 24~26kg-cm (20.8~22.6in-lbf).
5. Disconnect fan's power (as shown in the partially enlarged picture) and pull out the fan (as shown in the larger picture).



Automation and Control Solutions

Honeywell International Inc.
1985 Douglas Drive North
Golden Valley, MN 55422
customer.honeywell.com

© U.S. Registered Trademark
© 2012 Honeywell International Inc.
62-2033—01 M.S. 08-12
Printed in United States

Honeywell