

HVFDCDNEMA1FRx

ENCLOSURE UPGRADE KITS FOR SMARTVFD COMPACT VFDS

INSTALLATION INSTRUCTIONS

DESCRIPTION


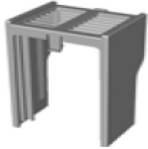


HVFDCDNEMA1FRx enclosure upgrade kits include the top protection from vertically dripping water with additional physical contact protection over the wiring terminals. The addition of these top and bottom covers makes the SmartVFD COMPACT unit compliant with North American NEMA1 enclosure class (NEMA 250) and European IP21 standards.

MODELS

Table 1. Enclosure upgrade kit models

Os no.	Description	Enclosure class compliance	
		IP21	NEMA1
HVFDCDNEMA1FR1	Top and wiring terminal covers for size MI1	X	X
HVFDCDNEMA1FR2	Top and wiring terminal covers for size MI2	X	X
HVFDCDNEMA1FR3	Top and wiring terminal covers for size MI3	X	X

DELIVERY CONTENTS

HVFDCDNEMA1FRx		
Picture	Quantity	Description
	1	IP21 top cover
	1	Cable terminal cover
	1	Cable gland plate
	6	Cable gland plate screws

INSTALLATION

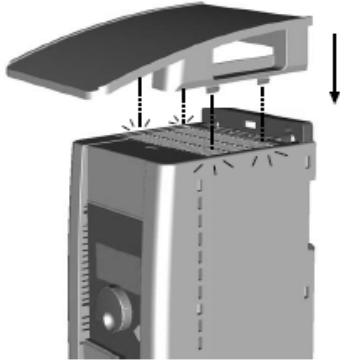


Fig. 1. IP21 cover installation (HVFDCDNEMA1FRx)

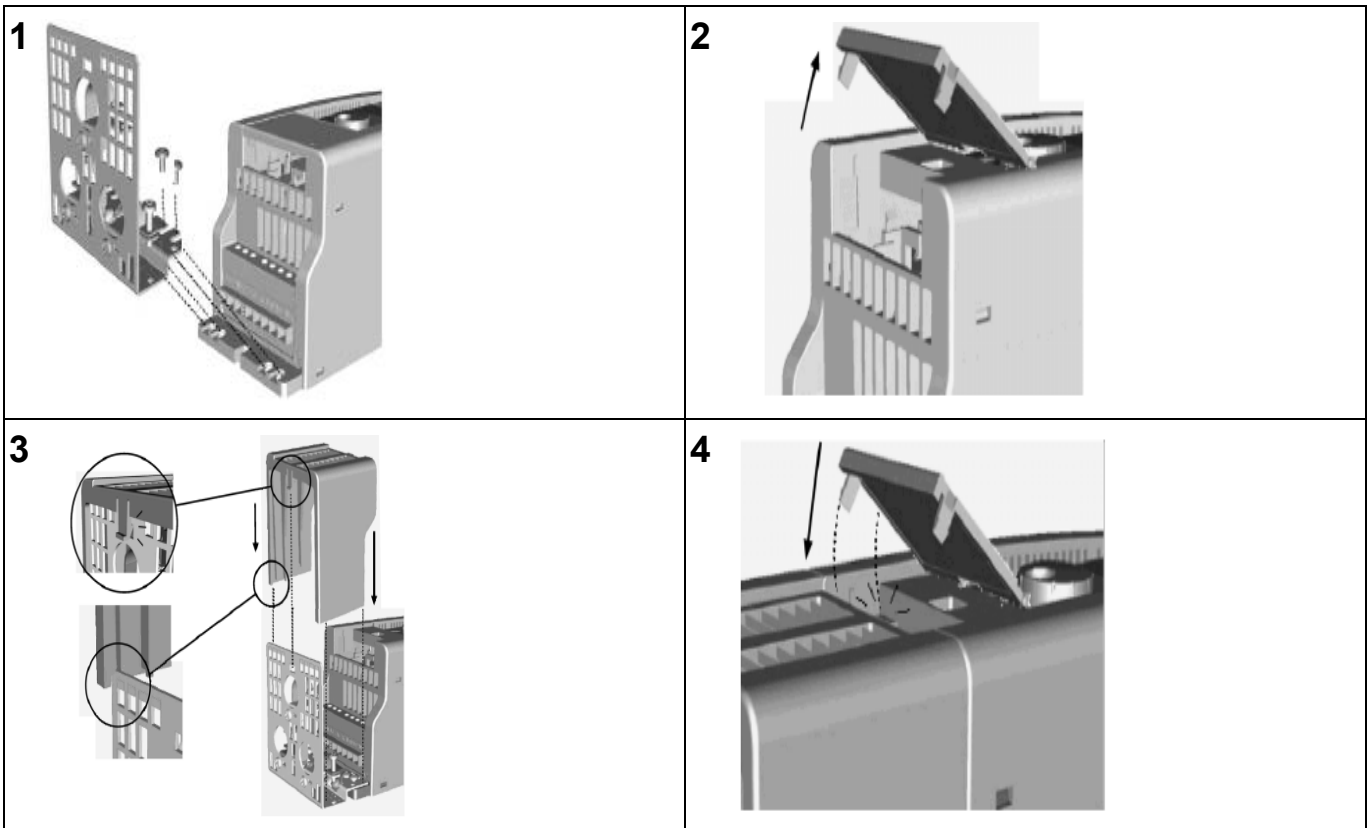


Fig. 2. Cable terminal cover installation (HVFDCDNEMA1FRx)

Automation and Control Solutions

Honeywell International Inc.
1985 Douglas Drive North
Golden Valley, MN 55422

Honeywell Limited-Honeywell Limitée
35 Dynamic Drive
Toronto, Ontario M1V 4Z9
customer.honeywell.com

Honeywell