

50000407-001

Tandem Mount DCA Damper Accessory Kit

INSTALLATION INSTRUCTIONS

APPLICATION

This document provides installation instructions for the 50000407 Tandem Mounting Kit for mounting two direct coupled actuators (DCA) to a single shaft.

NOTE: Tandem mounting kits are for use with actuators that accept floating or modulating control signals.

INSTALLATION

When Installing this Product...

1. Read these instructions carefully. Failure to follow them could damage the product or cause a hazardous condition.
2. Check ratings given in instructions and on the product to ensure the product is suitable for your application.
3. Installer must be a trained, experienced service technician.
4. After installation is complete, check out product operation as provided in these instructions.

Mounting



CAUTION

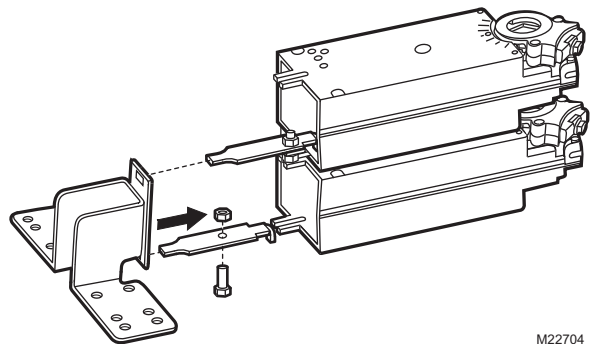
Equipment Damage Hazard.
Mounting actuator unevenly with damper housing can damage actuator.
 Mount actuator and bracket to prevent the actuator housing from rotating.
 The mounting bracket must not bind or clamp the actuator to the duct.

IMPORTANT

Spring return actuators require that you determine the appropriate mounting orientation first. See the instructions (form 63-2607).

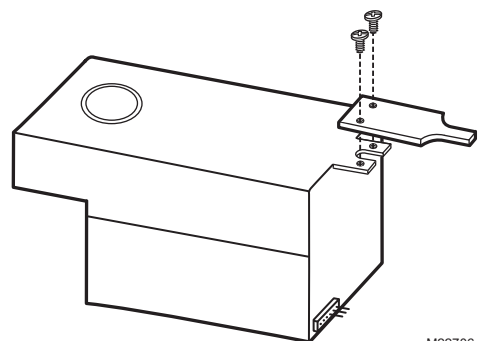
1. Remove the actuator access covers and set them aside.
2. Mount one offset arm to each actuator:

- a. Put the proper arm in place on the actuator housing:
 - (1) Spring return actuators: Slide a long, narrow arm into the anti-rotation slot on the damper side of the actuator. (See Fig. 1.)
 - (2) Non-spring return actuators: Line up the wide arm screw holes with those of the anti-rotation slot. (See Fig. 2.)
- b. Fix the arm to the actuator housing:
 - (1) Spring return actuators: Each arm requires a bolt and a hex nut (supplied with the kit).
 - (a) Tighten the bolt.
 - (b) Install and tighten the hex nut.
 - (2) Non-spring return actuators: Each arm requires two screws (supplied with the actuator).



M22704

Fig. 1. Mounting offset arm to spring return actuator.

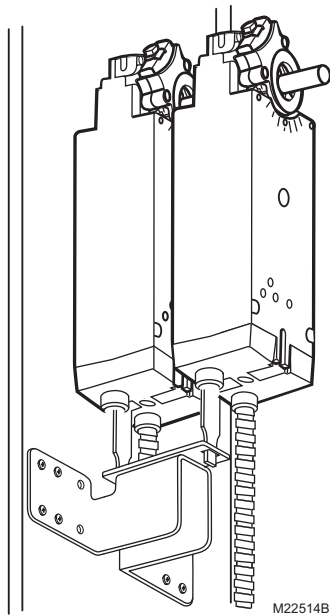


M22706

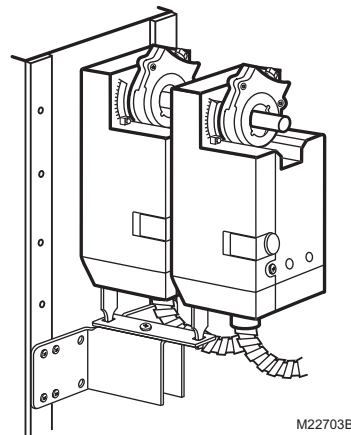
Fig. 2. Mounting offset arm to non-spring return actuator.



3. Wire the actuators. See the instruction sheets for details:
 - a. Spring return actuators: Forms 63-2607 and 62-0188.
 - b. Non-spring return actuators: Form 63-2589.
4. Replace the actuator access covers.
5. Turn damper blades to the desired normal (unpowered/ no signal) position.
6. Place the first actuator on the damper shaft.
7. Set the bracket assembly in place to determine the proper location for the actuator on the shaft.
8. Using 10 mm wrench, tighten shaft coupling securely onto damper shaft using minimum 120 lb-in. (13.6 N.m), maximum 180 lb-in. (20.3 N.m) torque.
9. Repeat steps 6 through 8 for the second actuator ensuring that the actuator final locations position them parallel to one another.
10. With the bracket assembly in place mark screw holes on the damper housing.
11. Remove the mounting bracket.
12. Drill or center-punch holes for mounting screws (or use no.10 self-tapping sheet metal screws).
13. Place the bracket assembly back into position and secure bracket to damper box with sheet metal screws.
14. Follow wiring diagram instructions on Product Data sheet for the actuator.



Spring Return Actuators



Non-Spring Return Actuators

Fig. 3. Tandem mounting using 50000407-001 Kit.

Automation and Control Solutions

Honeywell International Inc.
1985 Douglas Drive North
Golden Valley, MN 55422
customer.honeywell.com

Honeywell Limited-Honeywell Limitée
35 Dynamic Drive
Toronto, Ontario M1V 4Z9

