

D2, D3 (Series 2000) DAMPER ACCESSORIES

INSTALLATION INSTRUCTIONS

INSTALLING SINGLE-SECTION WIDE DAMPERS

For Dampers Less Than 24 in. (61 mm) in Height (See Fig. 1)

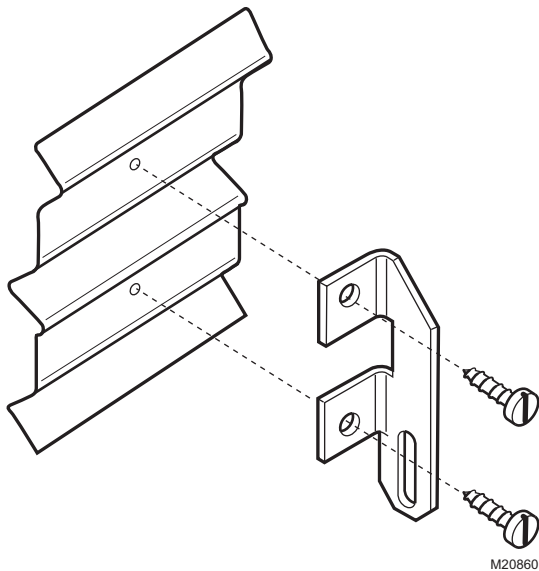


Fig. 1. Attaching 32007205-002 Blade Drive Lever.

Parts Included in 32007205-002:

Qty	Description
1	Right-angle Lever
2	#1/4-20 x 1/2 TCS Fasteners

For Dampers Greater Than or Equal to 24 in. (61 mm) in Height (See Fig. 2)

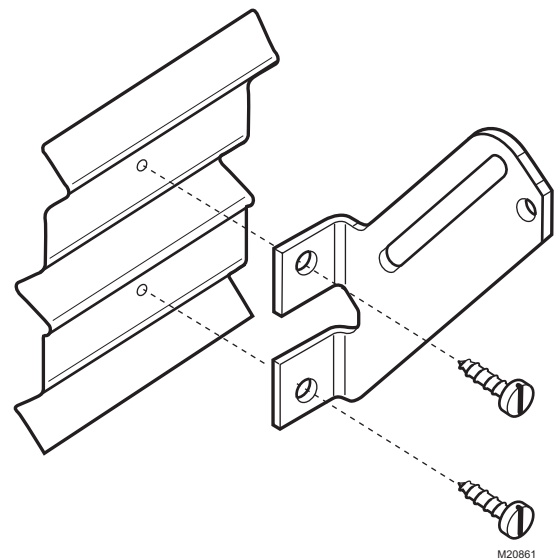


Fig. 2. Attaching 3207205-003 Blade Drive Lever.

Parts Included 32007205-003:

Qty	Description
1	45° Drive Lever
2	#1/4-20 x 1/2 TCS Fasteners



CONNECTING MULTI-SECTION WIDE DAMPERS WITH NO JACKSHAFT

For Dampers Less than 24 in. (61 mm) High

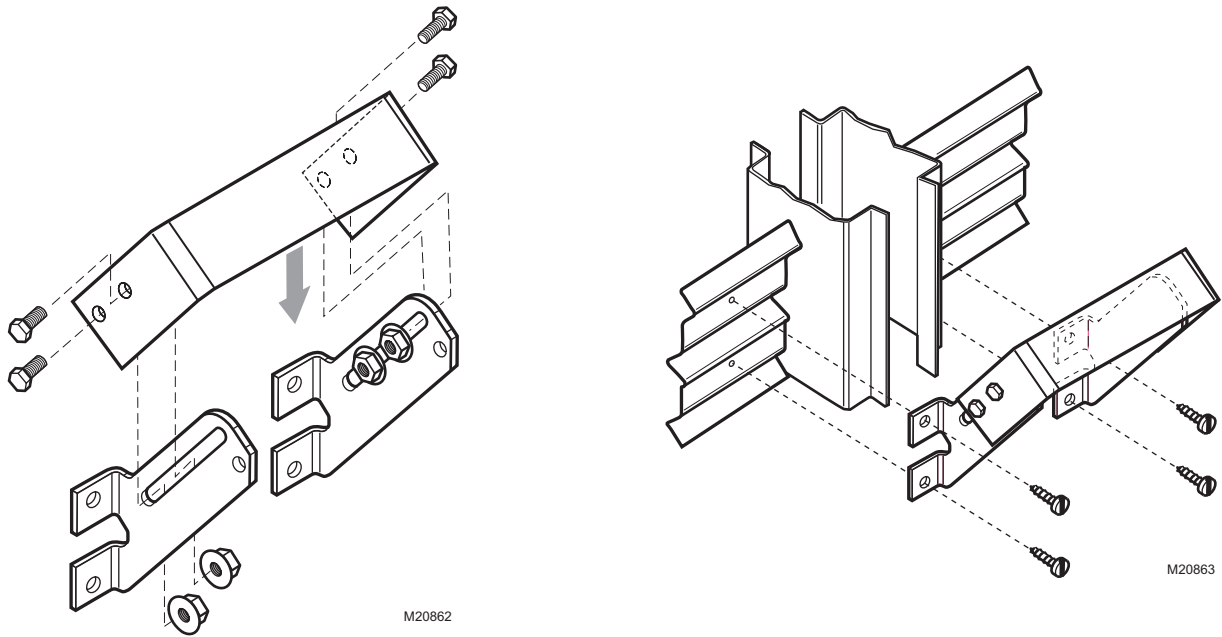


Fig. 3. Attaching 32007205-007 Jumper Bracket to blade drive levers and dampers.

Parts Included in 32007205-007:

Qty	Description
1	Lever Linkage
4	#1/4-20 x x1/2 Bolts
4	#1/4-20 Nuts
2	45° Drive Lever
4	#14 x 3/4 HWH Tek Fasteners

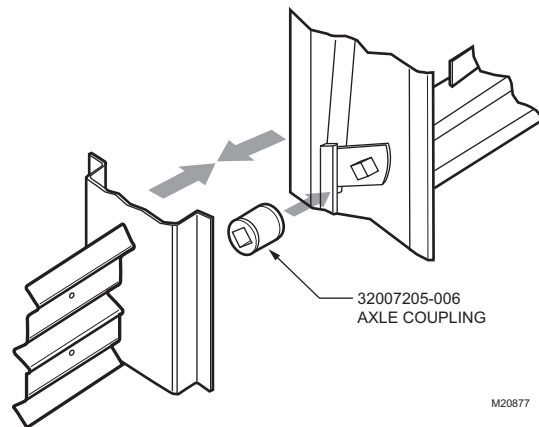


Fig. 4. 32007205-006 Axle Coupling.

Parts included in 32007205-006:

Qty	Description
1	Coupling

SHAFT EXTENSIONS

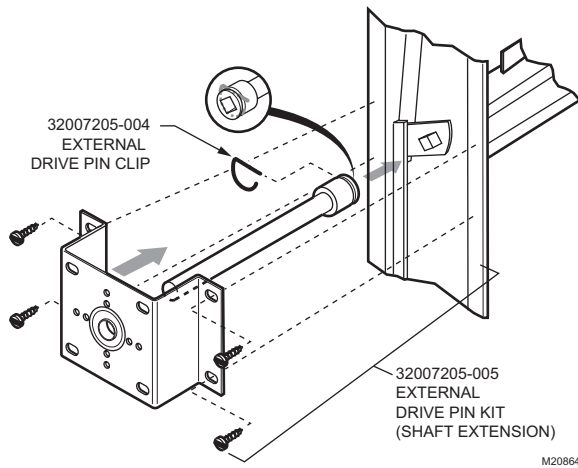


Fig. 5. Attaching 32007205-005 Shaft Extension.

Parts Included in 32007205-005:

Qty	Description
1	Drive Pin Clip (32007205-004)
1	Shaft Extension
1	Mounting Bracket

For the 32007205-005 and -001:
 — The installer supplies the screws.
 — #14 x 3/4 HWH Tek Fasteners are recommended.

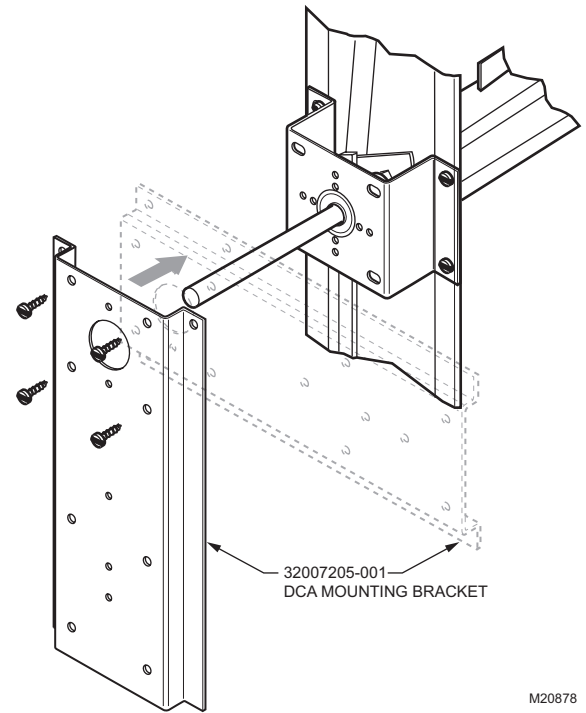


Fig. 6. Attaching 32007205-001 DCA Mounting Bracket.

Parts Included in 32007205-001:

Qty	Description
1	Mounting Bracket

D2, D3 (SERIES 2000)

Automation and Control Solutions

Honeywell International Inc.
1985 Douglas Drive North
Golden Valley, MN 55422
customer.honeywell.com

Honeywell Limited-Honeywell Limitée
35 Dynamic Drive
Toronto, Ontario M1V 4Z9

© U.S. Registered Trademark
© 2006 Honeywell International Inc.
62-0196—1 J.I. Rev. 09-06



Printed in U.S.A. on recycled
paper containing at least 10%
post-consumer paper fibers.

Honeywell