

D Montageanweisung
 F Instructions d'Installation
 I Istruzioni per l'Installazione
 NL Installatievoorschrift
 DK Installasjonsinstruks
 N Installationsinstruktioner
 SF Asennusohje
 S Installations Instruktioner
 E Instrucciones de montaje

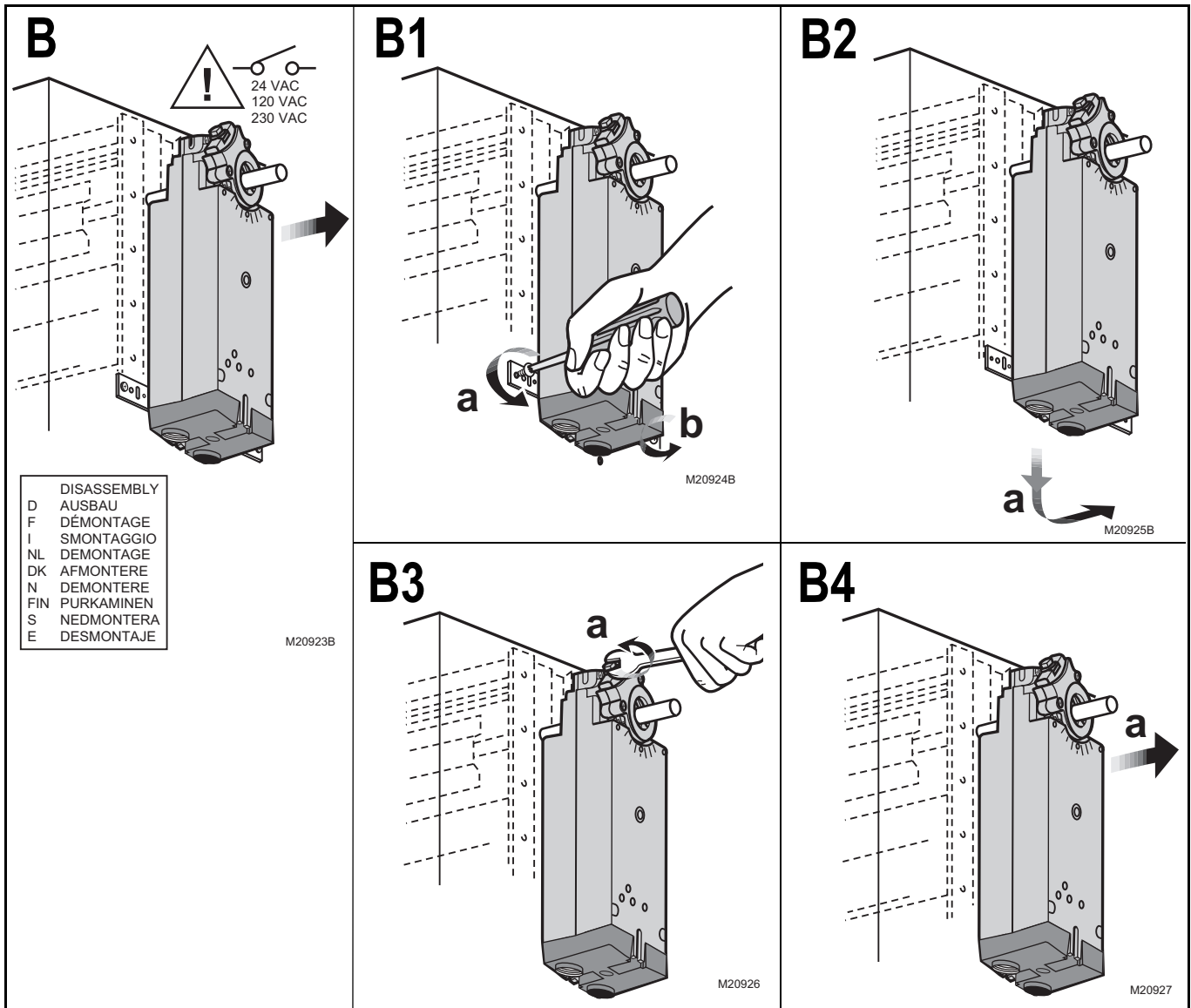
S05, S10, S20 Series Spring Return Direct Coupled Actuators

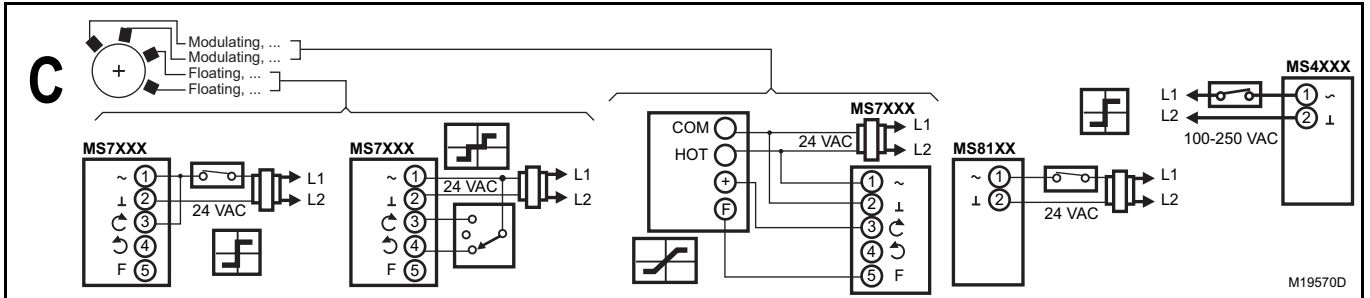
MS31XX, MS41XX, MS46XX, MS71XX, MS75XX, MS81XX

INSTALLATION INSTRUCTIONS

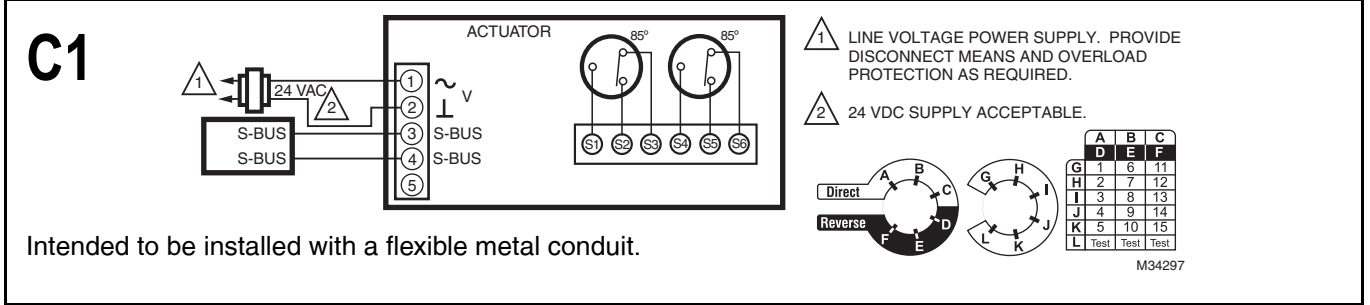
<p>A</p> <p>ASSEMBLY D EINBAU F MONTAGE I MONTAGGIO NL MONTAGE DK MONTERE N MONTERING FIN ASENTAMINEN S MONTERA E MONTAJE</p> <p>M20918B</p>	<p>A1, A4</p> <p>M20919B</p>	<p>A2</p> <p>M20920B</p>
<p>A3</p> <p>M12030</p>	<p>A5</p> <p>M20921B</p>	<p>A6</p> <p>M20922B</p>







The internal auxiliary switches must be connected to the same power source, the auxiliary switches shall be connected to the same pole of the same supply circuit, connected in a same polarity manner.



Intended to be installed with a flexible metal conduit.

For additional installation details go to customer.honeywell.com and search for Literature Number 63-2607.

Automation and Control Solutions

Honeywell International Inc.
1985 Douglas Drive North
Golden Valley, MN 55422
customer.honeywell.com

© U.S. Registered Trademark
© 2014 Honeywell International Inc.
62-0188—09 M.S. Rev. 01-14
Printed in United States

Honeywell