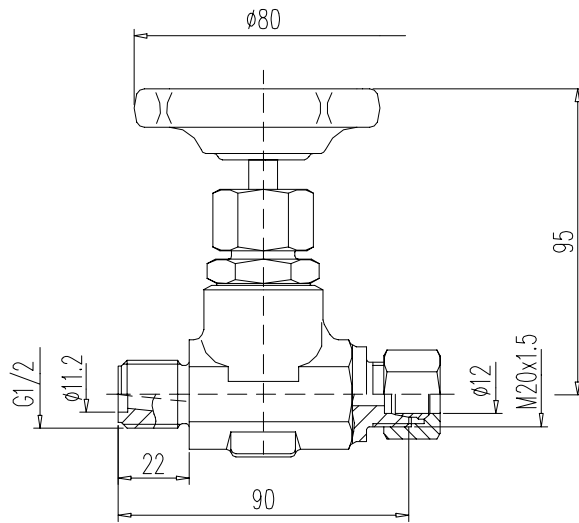
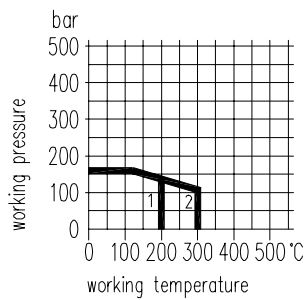
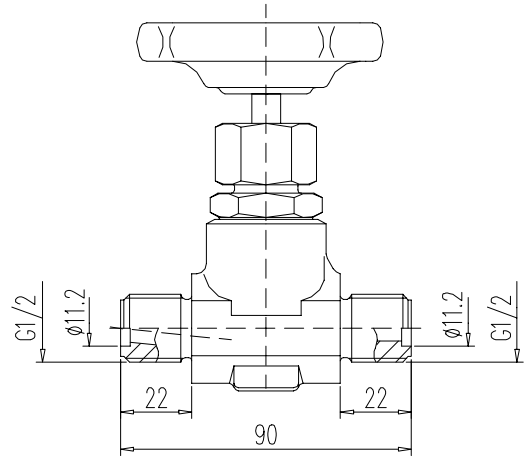


**Type 1**

**Type 2**


- 1 PTFE packing
- 2 graphite packing

**MOUNTING ACCESSORIES see section 8**

Type	Ref no. DIN 19 208	Material	Connections		Part no.
			Inlet	Outlet	
1	8	steel st. st.	G 1/2 male DIN 19 207, Type R	tube fitting O. D. 12 mm, line S	S350.07.114.06 S350.07.214.06
2	7	steel st. st.	G 1/2 male DIN 19 207, Type R		S350.09.100.02 S350.09.200.02

Components	Steel	Stainless steel <sup>1)</sup>
	DIN - Material Number	
Body <sup>2)</sup>	1.0460	1.4571
Bonnet	1.0501	1.4571
Valve seat	1.4021	1.4571
Valve stem	1.4104	1.4571
Needle tip	1.4122 <sup>4)</sup>	1.4571
Packing	graphite	PTFE up to 200°C (graphite up to 300°C)
Union nut	steel	1.4571
Handwheel	plastic <sup>3)</sup>	

- **Body:** die-pressed part
- **Surface:** steel phosphatized
- Internal stem thread
- Replaceable valve seat
- Stem with cold rolled surface, back seat and non-rotating needle tip
- Special types are available

- 1) Can also be supplied for oxygen service. Please notice order instruction B 3!
- 2) Available with inspection certificate 3.1 acc. to EN 10 204
- 3) Can also be supplied with handwheel made of steel
- 4) 1.4122 quenched and tempered