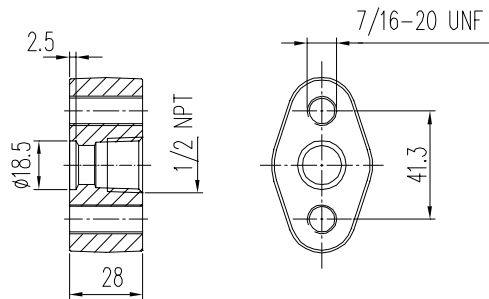
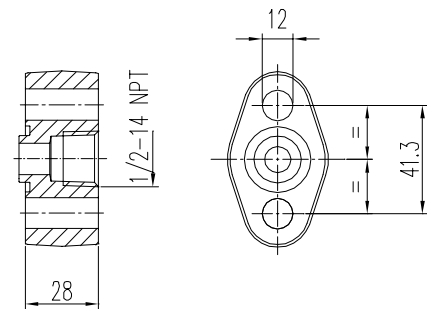


Oval flange with connection according to DIN EN 61518 ¹⁾

Oval flange with connection according to DIN EN 61518 ¹⁾ Type A


Flange connection according to	Material	Part no.
DIN EN 61518 Type A	1.0460	N006.19.156.22
DIN EN 61518		S006.19.108.22
DIN EN 61518 Type A	1.4404	N006.19.456.22
DIN EN 61518		S006.19.408.22

1) Dimensions acc. to DIN EN 61518
see order instruction B 4