

AS-Schneider at a glance



schneider
Tailored to Your Business

Tailored to Your Business



Your worldwide Partner for Industrial Valves

Welcome to **AS-Schneider** – a modern, internationally oriented family-owned company with nearly 140 years of tradition.

With over 350 employees, **AS-Schneider** is one of the worldwide leading manufacturers of Instrumentation Valves and Manifolds. In the market segment of Industrial Valves for Large-Bore Diesel Engines, such as those used in ship engines and for power generation, **AS-Schneider** is actually the world market leader.

Our success concept: We rely on close contact with our customers and on technological progress. That lets us ensure that we can meet the needs of our customers in every region of the world – today and in the future.



High quality – flexible applications

Industrial Valves from **AS-Schneider** can be found everywhere in the world in nearly every area of plant construction:

Oil and Gas Industry

Upstream: Onshore and Offshore Production
Midstream: Transport, Storage and Natural Gas Compression
Downstream: Refineries and Petrochemical Industry

Chemical Industry

Power Generation

Conventional Power Plants, Nuclear Power Plants, Flue Gas Desulfurization Plants

Other Plants

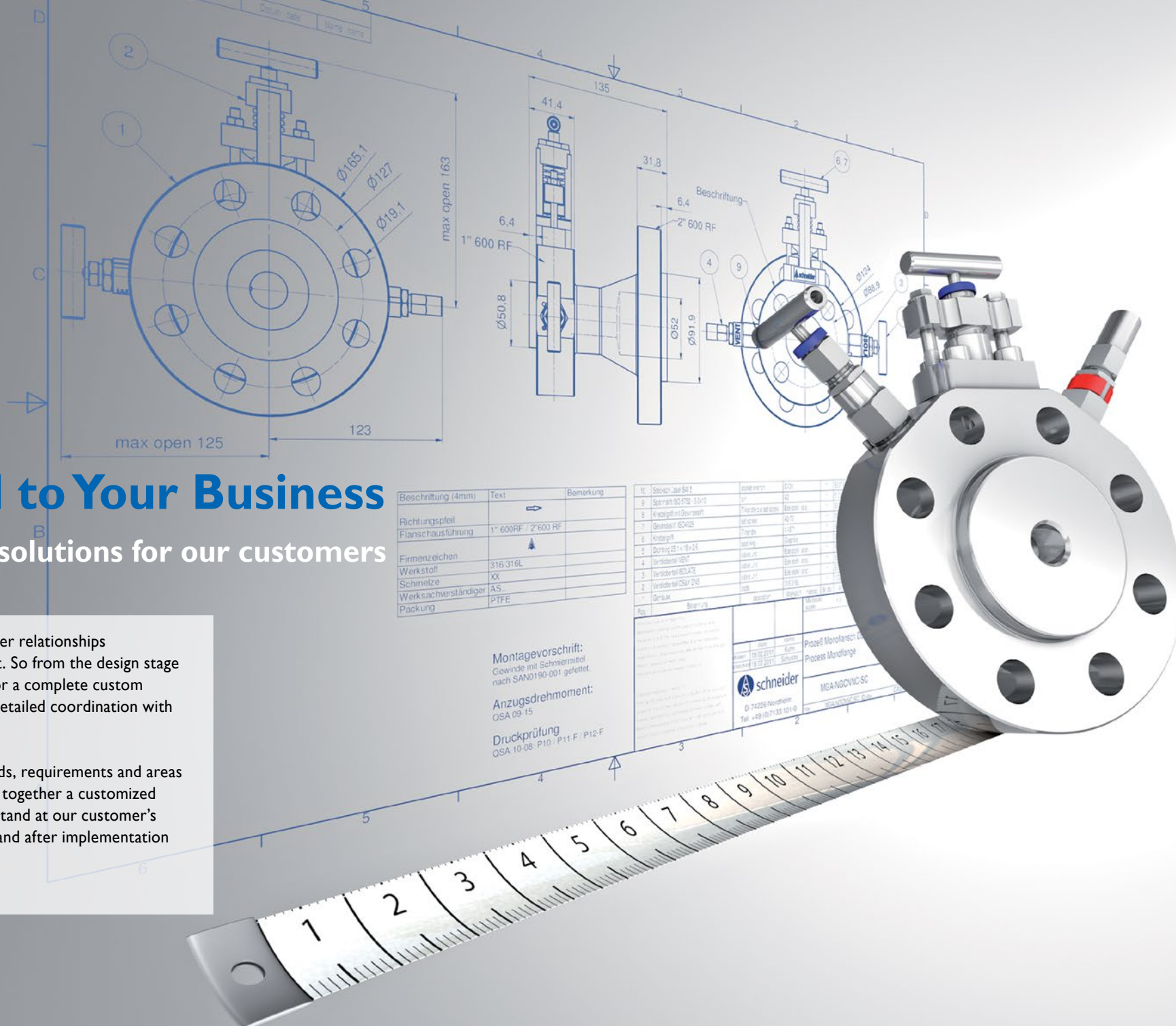
Waste Incineration Plants, Seawater Desalination Plants, Steel Mills, Cement Plants, etc.

Tailored to Your Business

Customized solutions for our customers

We find close customer relationships particularly important. So from the design stage to the finished valve or a complete custom solution, we rely on detailed coordination with the customer.

Based on specific needs, requirements and areas of application, we put together a customized valve portfolio, then stand at our customer's side – before, during and after implementation of the project.



Beschriftung (4mm)	Text	Bemerkung
Richtungs Pfeil		
Flanschausführung	1" 600RF / 2" 600 RF	
Firmenzeichen		
Werkstoff	316/316L	
Schmelze	XX	
Werksachverständiger	AS	
Packung	PTFE	

Montagevorschrift:
Gewinde mit Schmiermittel
nach SAN0190-001 gefettet

Anzugsdrehmoment:
OSA 09-15

Druckprüfung
OSA 10-08- P10- P11-F / P12-F

Pos.	Bezeichnung	Material	Menge	Einheit
1	Stoßstange S16 2	stainless steel	1	Stück
2	Sechskant ISO 4752 - 3/8x1/2	stainless steel	2	Stück
3	Kugelhahn mit Gewindestift	Technische Zeichnung	1	Stück
4	Gewindestift ISO 4013	stainless steel	2	Stück
5	Kegelstift	stainless steel	1	Stück
6	Dichtung Ø 11 x 18 x 2,6	stainless steel	1	Stück
7	Verlängerung 180°	stainless steel	1	Stück
8	Verlängerung 180°	stainless steel	1	Stück
9	Verlängerung 180°	stainless steel	1	Stück
10	Verlängerung 180°	stainless steel	1	Stück
11	Gewindestift	stainless steel	1	Stück
12	Gewindestift	stainless steel	1	Stück



D 74226 Nuremberg
Tel. +49 (0) 91 33 101-0

Prozess Montaforschung
Prozess Montage
MGA NGC VNC SC
MGA NGC VNC SC



Investment in the future

The qualifications and engagement of our employees are a large part of the success of our company. Apprenticeships and regular continuing education are our investment in the future.

So an apprenticeship at **AS-Schneider** goes beyond the conventional. We have a versatile and sustainable apprenticeship concept that lets our apprentices and interns learn quickly, take over independent responsibility, and link the theory they've learned with practical hands-on experience.

Dual Studies Program in Baden-Württemberg

**Mechanical Engineering –
Design and Development**
Degree: Bachelor of Engineering

**Industrial Engineering – International Technical
Sales Management**
Degree: Bachelor of Engineering

Apprenticeship

**Precision Mechanics
Industrial Administrator
Electronic Technician for Industrial Engineering**



Engagement with know-how



Support and challenge

Our numerous continuing education opportunities, configured to individual needs, both support and challenge our employees. At **AS-Schneider**, every single person is motivated to have the courage to change and to show off their own ideas.



Knowledge grows when it's shared

We don't just value the creative ideas of the young, but also the comprehensive knowledge and incalculable trove of experience of our loyal employees who have been with us for years. They pass their valuable know-how to the next generation, and so both figure in the implementation of new projects: young ideas and old experience.

If you have the specifications, we have the right solution

We develop, design, and produce valves and manifolds that define the latest state of the art as well as specific market conditions.

Our customers benefit from appropriate solutions that are characterized by efficiency, long service life, and advanced technology.

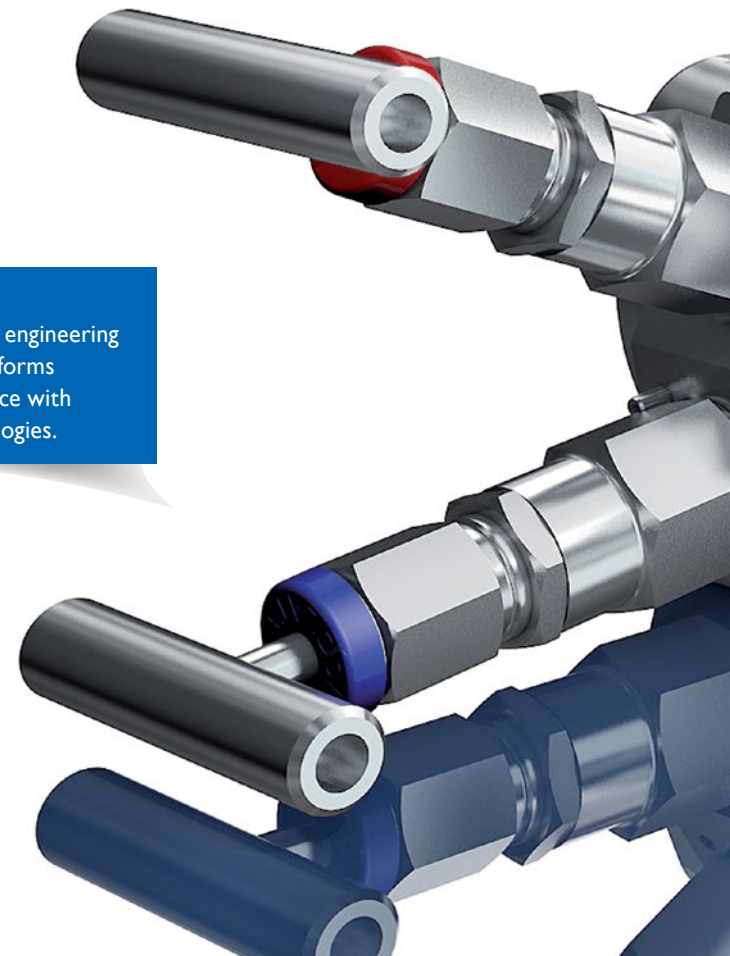
With an international network of our own subsidiaries and partners, we can ensure that our customers worldwide get **engineering know-how made by AS-Schneider**.

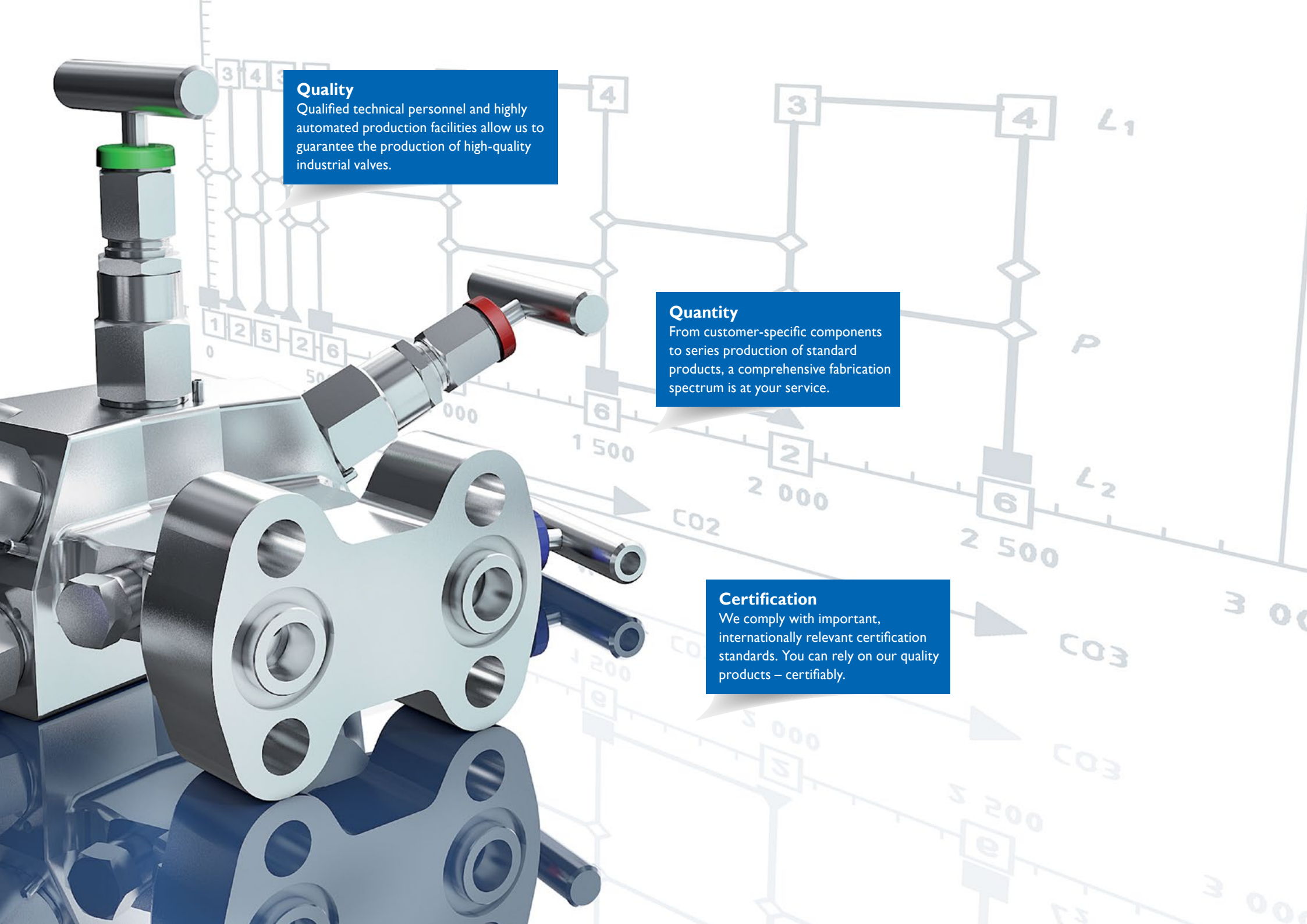
Materials

You have the choice – from brass, carbon steel and stainless steel to exotic alloys.

Technology

The experienced, creative engineering team at AS-Schneider performs developments in accordance with current needs and technologies.





Quality

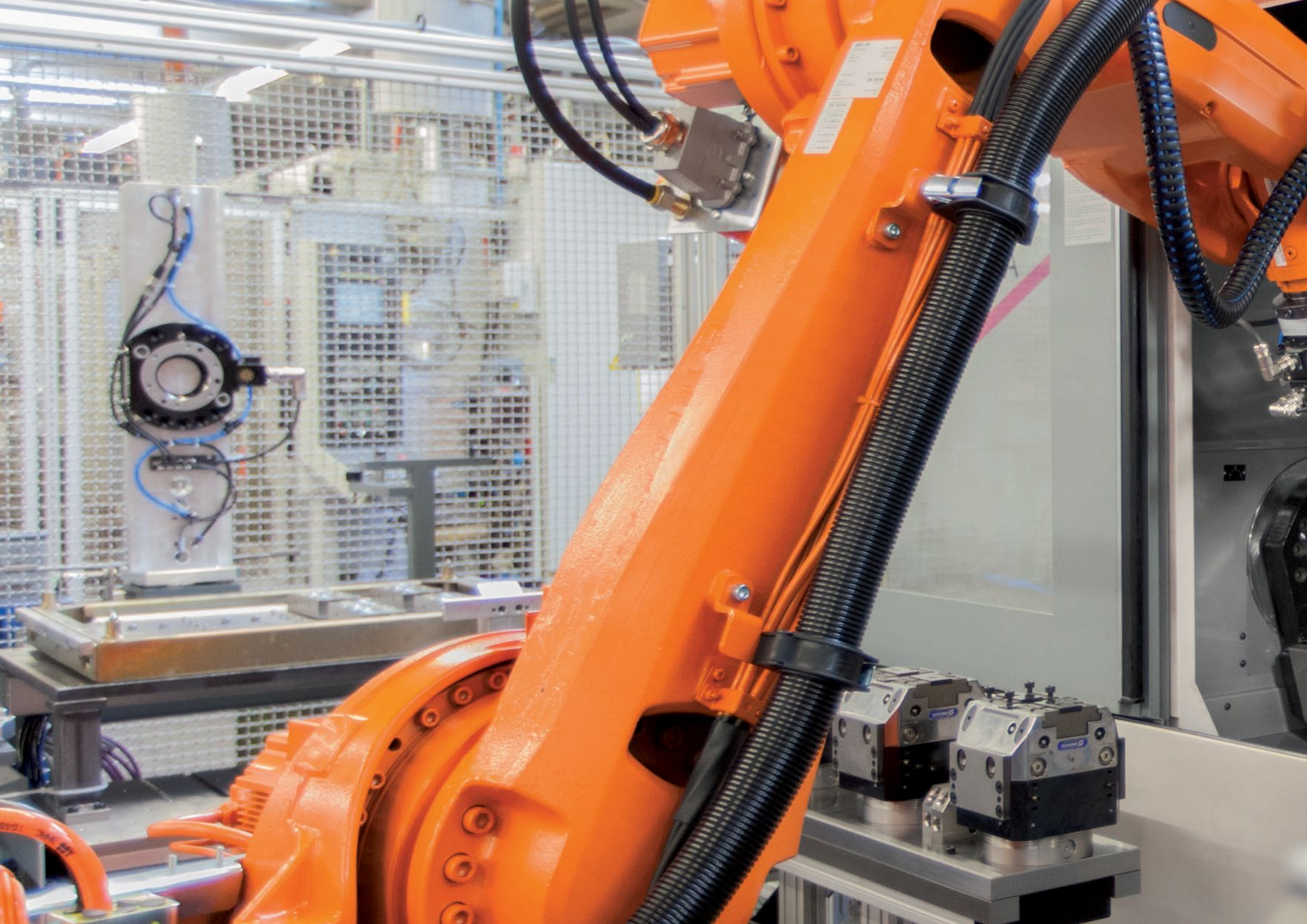
Qualified technical personnel and highly automated production facilities allow us to guarantee the production of high-quality industrial valves.

Quantity

From customer-specific components to series production of standard products, a comprehensive fabrication spectrum is at your service.

Certification

We comply with important, internationally relevant certification standards. You can rely on our quality products – certifiably.



The latest technology, lean process

We use the latest in production technology to deliver the high product quality that customers of **AS-Schneider** rightly expect.

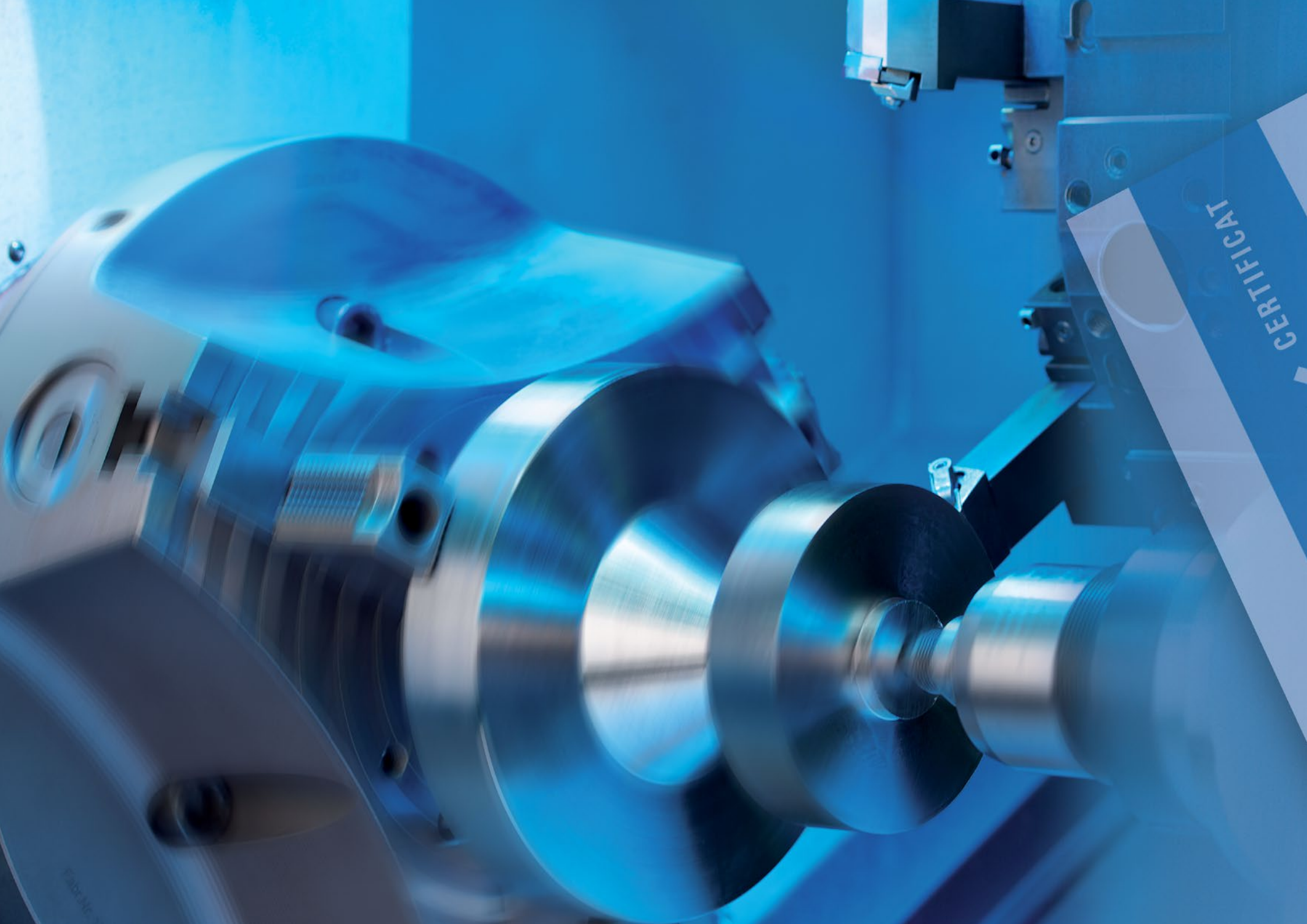
Our wide range and extensive depth of fabrication, along with our ultra-flexible production methods, allow us to meet every one of our customers' requirements entirely in-house.

Thanks to the quick setup of our production facilities, we also guarantee not only cost-effective series fabrication but also the timely, high-quality production of customer-specific individual orders.



The consistent use of lean tools and methods helps us organize our processes efficiently and sustainably. As a result, we can guarantee our customers high product quality and short cycle times.





CERTIFICAT

CERTIFICATE

The Certification Body
of TÜV SÜD Management Service GmbH
certifies that



schneider

Armaturenfabrik Franz Schneider
Bahnhofplatz 12
D-74226 Nordheim

Trust in certified products

Our industrial valves are tested and certified compliant with internationally relevant guidelines.

- AD 2000 data sheet HP 0 and DIN EN ISO 3834-2
- AD 2000 data sheet W 0 / TRD 100
- CRN
- DGRL 97/23/EG Module A1
- DGRL 97/23/EG Module C1
- DVGW
- Technical operations compliant with § 19 WHG
- Fire Safe certification
- TR-TS (EAC) certificate for customs union (Russia, Belarus, Kazakhstan)
- HAF
- ISO 9001:2008
- ISO 15848-1 certification
- KTA 1401
- RTN (ROSTEKHNAZDOR)
- TA-Luft (air pollution control regulation, Germany)

A man in a light blue shirt is operating a microscope in a laboratory setting. The microscope is a large, professional-grade model with a silver and black body. The man is looking intently at the microscope's eyepiece. The background is a blurred laboratory environment with various pieces of equipment.

We live quality

Consistent quality assurance at **AS-Schneider** starts with material purchasing and runs through production planning to production.

All the employees of **AS-Schneider** contribute responsibly at their posts to ensuring that the quality of our products and services meet our own high expectations.

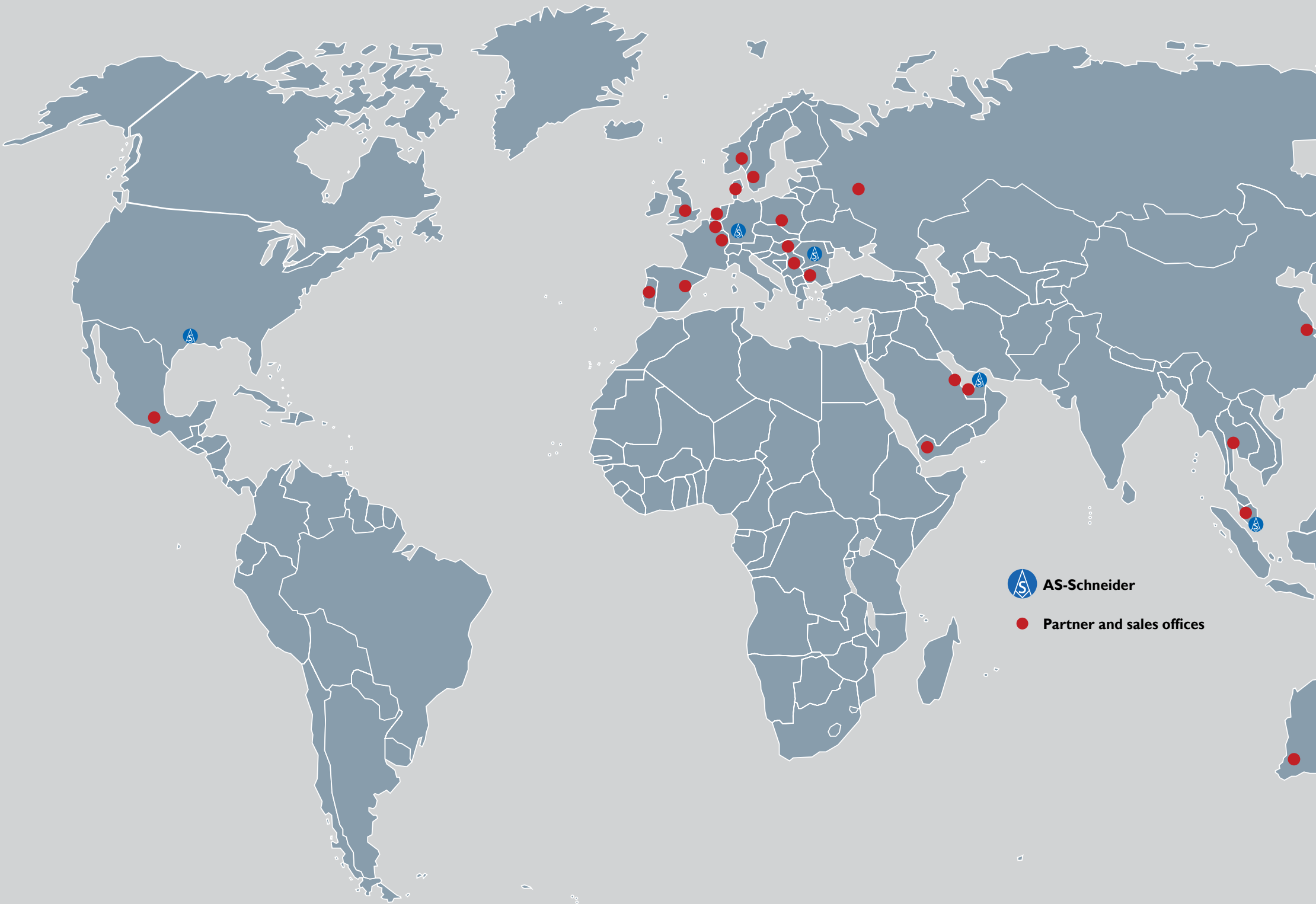
Continuous quality monitoring in our own test laboratory guarantees compliance with strict standards and thus the optimum functionality and long-term reliability of our valves.



Internationally networked

With our own subsidiaries in Romania, Singapore, Dubai (U.A.E.) and Houston (USA) and professional partners in over 20 countries around the world, we are everywhere our customers need us.

Our regional presence gives our customers not only short response times, but also competent, personal support in the implementation of individual projects. The combination of our local market knowledge and our worldwide quality expectations allows us to support every customer requirement.



 **AS-Schneider**

 **Partner and sales offices**



Available to you worldwide

**Armaturenfabrik Franz Schneider
GmbH + Co. KG**
Nordheim | Germany

Armaturenfabrik Franz Schneider SRL
Braşov | Romania

AS-Schneider Asia-Pacific Pte. Ltd.
Singapore

AS-Schneider Middle East FZE
Dubai | United Arab Emirates

AS-Schneider America, Inc.
Houston | USA



**Armaturenfabrik Franz Schneider
GmbH + Co. KG**

Bahnhofplatz 12 | 74226 Nordheim
Deutschland / Germany

Tel: +49 71 33 101-0

Fax: +49 71 33 101-148



www.as-schneider.com



AS-Schneider Asia-Pacific Pte. Ltd.

970 Toa Payoh North, #02-12/14/15
Singapore 318992

Tel: +65 62 51 39 00

Fax: +65 62 51 39 90



www.as-schneider.sg



Armaturenfabrik Franz Schneider SRL

Sales Office:
Str. Basarabilor, Nr. 7 | 100036 Ploiesti
Romania

Tel: +40 244 384 963

Fax: +40 244 384 963

Production Plant:
Str. Mihai Viteazu, Nr. 327i | 507085 Harman
Jud. Braşov | Romania

Tel: +40 368 41 40 25

Fax: +40 368 41 40 26



www.as-schneider.ro



AS-Schneider Middle East FZE

P.O. Box 18749 | Dubai
United Arab Emirates

Tel: +971 4 880 85 75

Fax: +971 4 880 85 76



www.as-schneider.ae



AS-Schneider America, Inc.

17421 Village Green Dr | Houston, TX 77040
United States of America

Tel: +1 281 2 58 42 63

Fax: +1 281 5 06 79 35



www.as-schneider.com