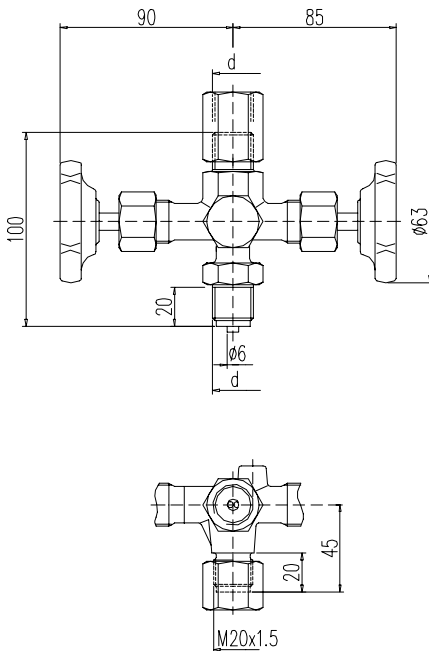
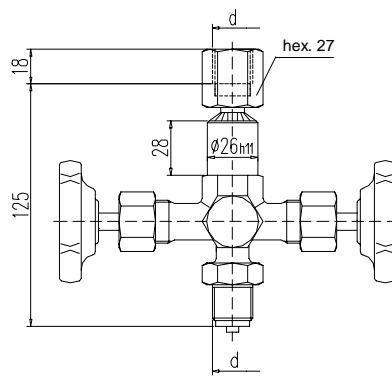
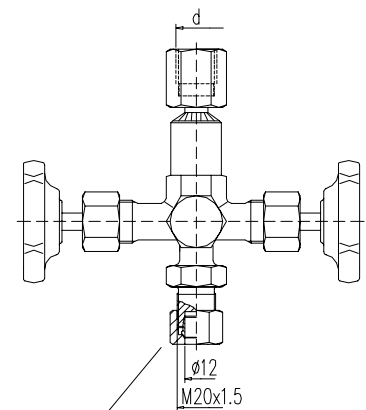


Design A

 with adjusting nut
 DIN 16 283

Design B

 with swivel nut and shaft for
 pressure gauge support

Design B - AS12

 tube fitting
 O. D. 12 mm
 line S

D V G W - Registration
DVGW-Register-No.

DG-4315BQ0226

MOUNTING ACCESSORIES see section 10

PN	Connection thread d	Material	Part no.		
			Design A	Design B	Design B-AS12
100	G 1/2	brass steel st. st.	S004.80.000 S004.80.100 S004.80.200	S004.80.020 S004.80.120 S004.80.220	- S004.80.120.13 S004.80.220.13

Components	Brass	Steel	Stainless steel
	DIN - Material Number		
Body	brass	1.0460	1.4571
Valve stem	1.4104		1.4571
Needle tip	1.4104		1.4571
O-rings	FPM		
O-ring retainer	brass		1.4571
Union nut	galv. steel	steel	stainless steel
Swivel nut	brass	steel	1.4571
Adjusting nut	brass	steel	stainless steel
Handwheel	plastic		

- **Body:** brass: pressed part
steel / stainless steel: die-pressed part
- **Surface:** steel phosphatized
- Internal stem thread
- Stem with colled rolled surface and non-rotating needle tip
- Max. operating pressure: 100 bar
Temperature: - 5°C up to + 60°C
- Basis of type examination: DVGW VP 308
- For all kinds of gas in accordance with DVGW-list number G 260
- Available with inspection certificate 3.1 acc. to EN 10 204