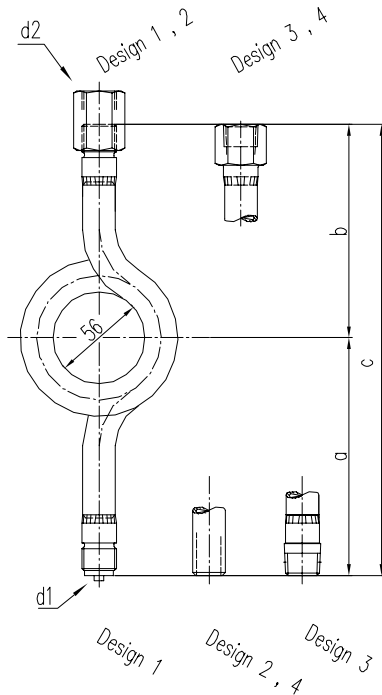
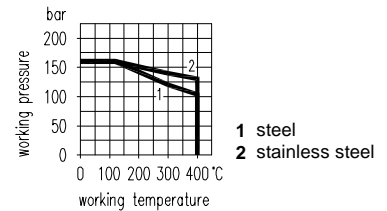
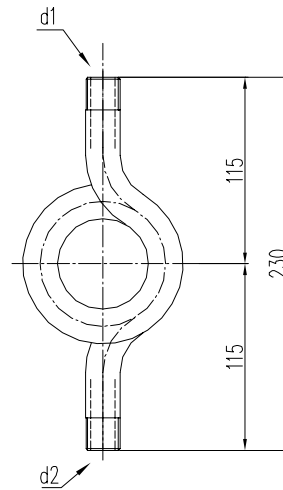


water syphons circular-shaped ('pigtail') for vertical tapping
Type 1 to 4

Type 5


Type	Connection		Material	Dimensions			Desgin	Part no.
	d1	d2		a	b	c		
1	G 1/2	adjusting nut G1/2 DIN 16 283	steel stainless steel	145	130	275	Desing C, sim. DIN 16 282	S006.08.100 S006.08.200
2	Ø 20 x 2,6	adjusting nut G1/2 DIN 16 283	steel stainless steel	110	130	240	Desing D DIN 16 282	S006.08.110 S006.08.210
3	1/2 NPT	1/2 NPT	steel stainless steel	145	130	275		S006.08.100.16 S006.08.200.16
4	Ø 20 x 2,6	1/2 NPT	steel stainless steel	110	130	240		S006.08.110.18 S006.08.210.18
5	G 1/2	G 1/2	steel stainless steel	-	-	-	Commercial style	S006.08.105.01 S006.08.205.01

Components	Steel	Stainless steel
	DIN - Material Number	
Tube 20 x 2,6 mm	1.0345	1.4571
Male connector	steel	1.4571

- Surface: Type 1 to 4 steel phosphatized
Type 5 oiled

- Range of application:
For liquids, gas or steam

- Other materials, pressure / temperature ratings and connections on request