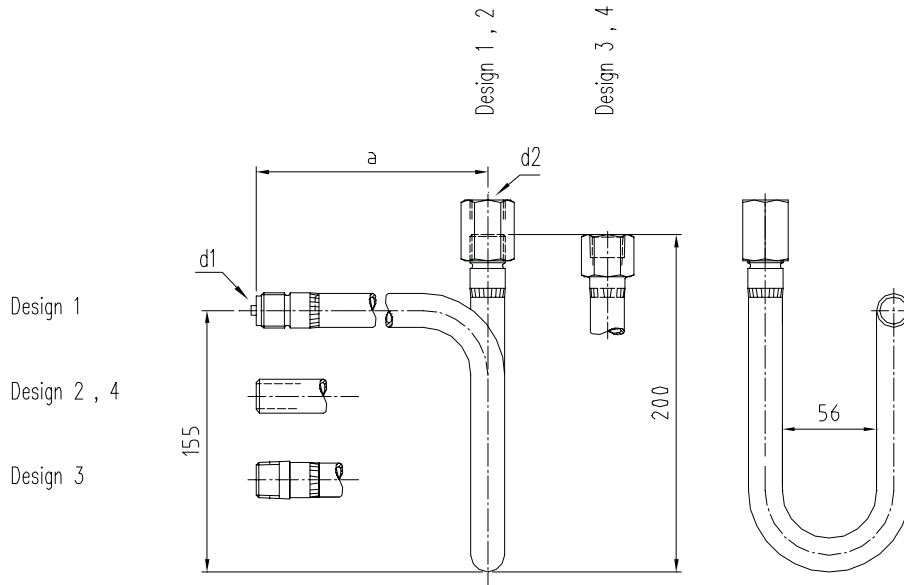
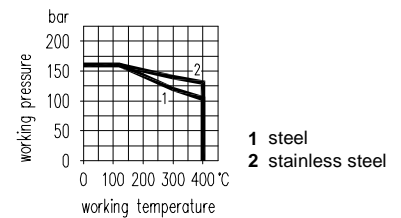
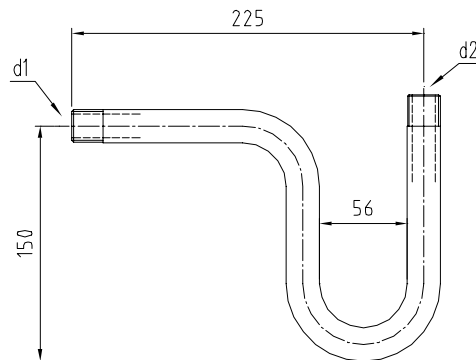


water syphons U-shaped for horizontal pressure tapping
Type 1 to 4

Type 5


Type	Connection		Material	Dimension a	Design	Part no.
	d1	d2				
1	G 1/2	adjusting nut G1/2 DIN 16 283	steel stainless steel	180	Design A sim. DIN 16 282	S006.07.100 S006.07.200
2	Ø 20 x 2,6	adjusting nut G1/2 DIN 16 283	steel stainless steel	145	Design B DIN 16 282	S006.07.110 S006.07.210
3	1/2 NPT	1/2 NPT	steel stainless steel	180		S006.07.100.16 S006.07.200.16
4	Ø 20 x 2,6	1/2 NPT	steel stainless steel	145		S006.07.110.18 S006.07.210.18
5	G 1/2	G 1/2	steel stainless steel		Commercial style	S006.07.105.01 S006.07.205.01

Components	Steel	Stainless steel
	DIN - Material Number	
Tube 20 x 2,6 mm	1.0345	1.4571
Male connector	steel	1.4571

- **Surface:** Type 1 to 4 steel phosphatized
Type 5 oiled

- **Range of application:**
For liquids, gas or steam

- Other materials, pressure / temperature ratings and connections on request