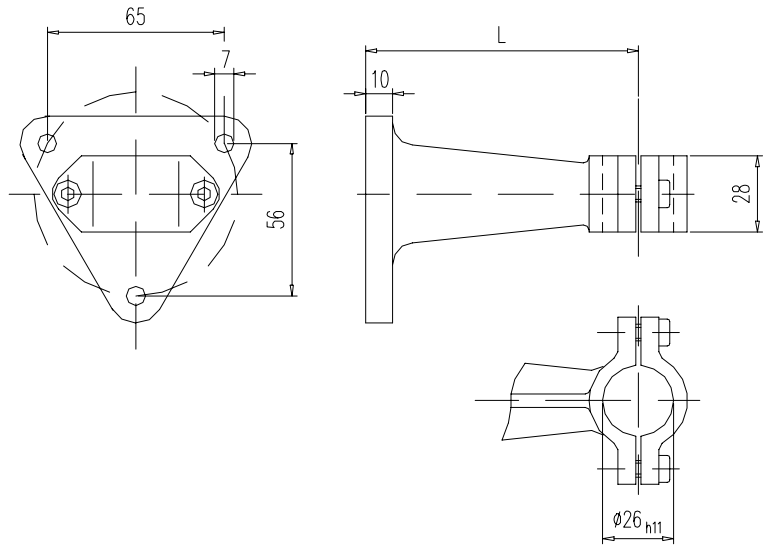
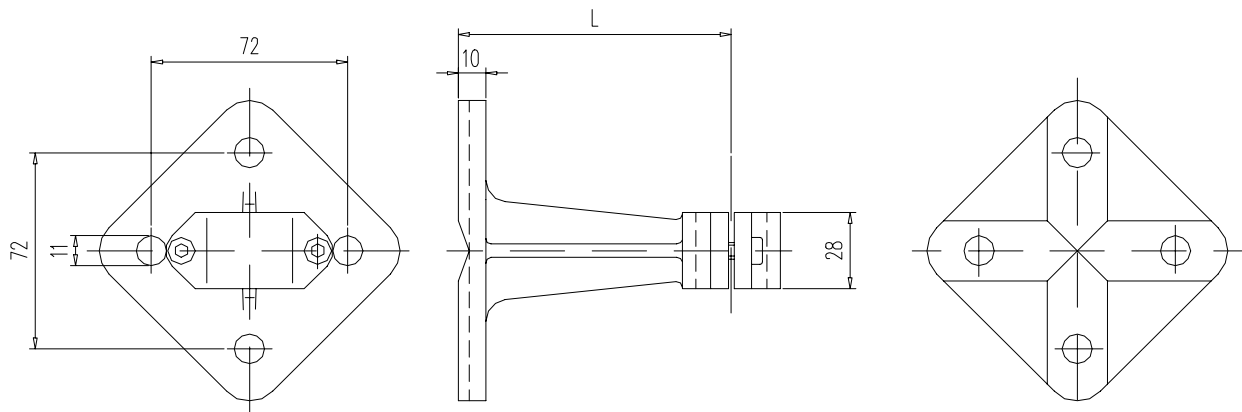


**Design H**  
 wall mounting type

**Design A**  
 for mounting to 2" NB pipes,  
 wall or racks


L	Type		Surface	Part no.
	Design	Material		
60 100 160	H	aluminium	black lacquered	S006.12.105 S006.12.115 S006.12.125
100	H	stainless steel		S006.12.215
100	A	malleable cast iron	galvanized and primed	N006.12.110 <sup>1)</sup>

Components	Design H		Design A
	Materials		
	Aluminium	Stainless steel	Malleable cast iron
Pressure gauge support	aluminium	sheet construction made of 1.4571	malleable cast iron
Bolts	steel galv.	1.4571	-
Bolts with hexagon socket hex. 5	-		steel galv.

- Screws for wall mounting are not included in the scope of supply.

1) Accessory kit for mounting to 2" NB pipes  
 steel: S006.42.105.05  
 stainless steel: S006.42.205.14