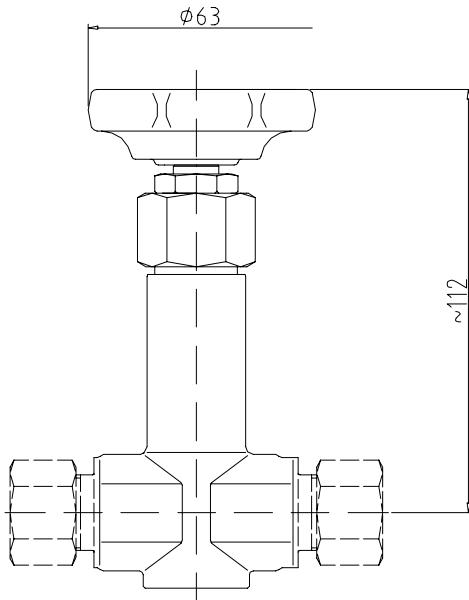
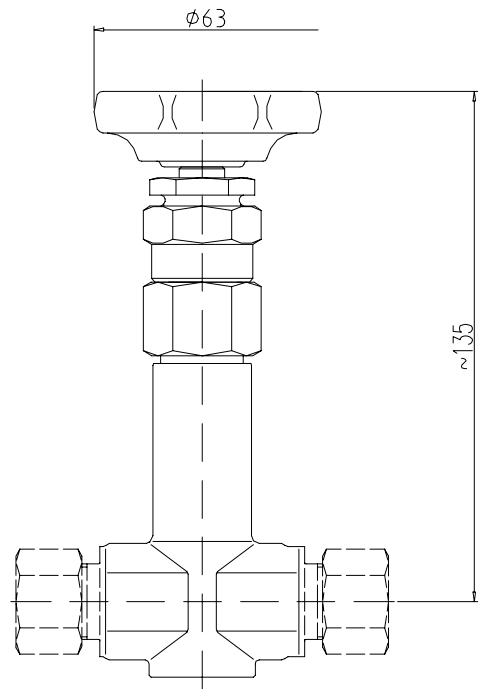
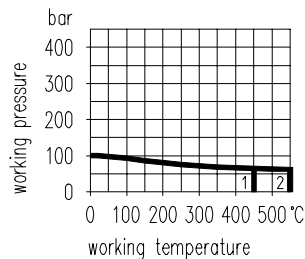


without safety packing (P1)

with safety packing (P5)


1 steel type
2 stainless steel type



The complete **part no. F438...** depends on the corresponding connections and type.

Components	Steel	Stainless steel ¹⁾
	DIN - Material Number	
Body ²⁾	1.0460	1.4571
Valve stem	1.4571	
Needle tip ⁴⁾	Stellite 6	
Bellow	1.4571	
Bonnet	1.4571	
Safety packing	graphite	
Handwheel ³⁾	plastic	

- **Body:** die-pressed part
- **Surface:** steel phosphatized
- The bellows are submitted to a 100% Helium leak test.
Leak rate: 10^{-8} mbar l/s.

- 1) Valves for oxygen service on request.
- 2) Available with inspection certificate 3.1 acc. to EN 10 204
- 3) Can also be supplied with handwheel made of steel or aluminium
- 4) Also available with soft tip in KEL-F[®] (PCTFE) or POM