



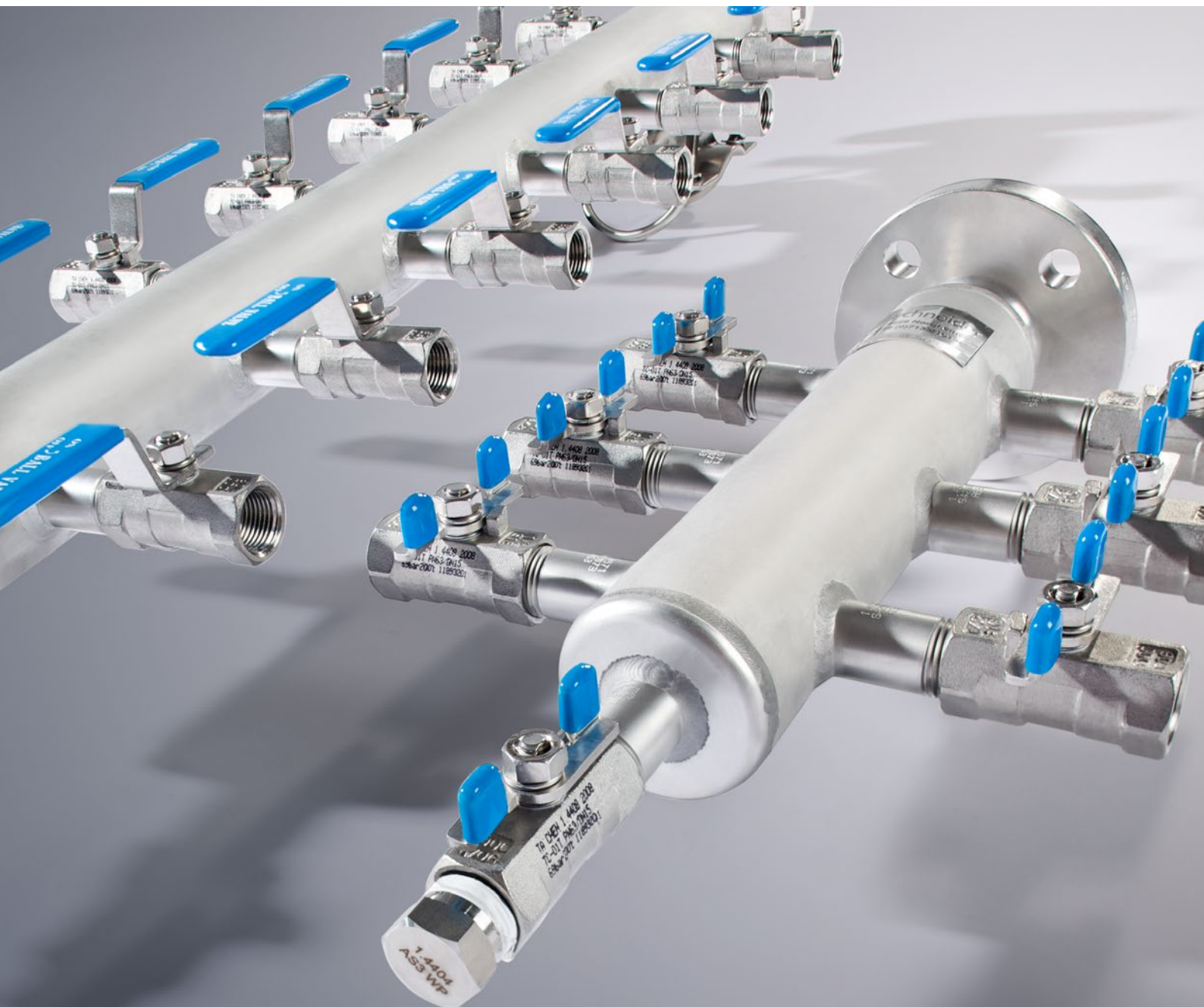
# schneider

Tailored to Your Business



## Instrumentation Products

### Air Headers



# Air Headers

schneider  
0-742281800  
Tel: +49 9371331014

## Product description

AS-Schneider Air Headers are used to supply several users with instrument air. Besides multiple types of standard styles we also supply the AS-Schneider Air Headers in accordance with specific customer demands.

If you don't find your option please contact us.

## Features

### Distribution Pipe

- 2" Pipe

### Inlet

- Flange according to ASME or EN
- Threaded

### Outlet Ports

- Ball Valves
- Needle Valves
- Tube Fittings
- Threaded

### Material

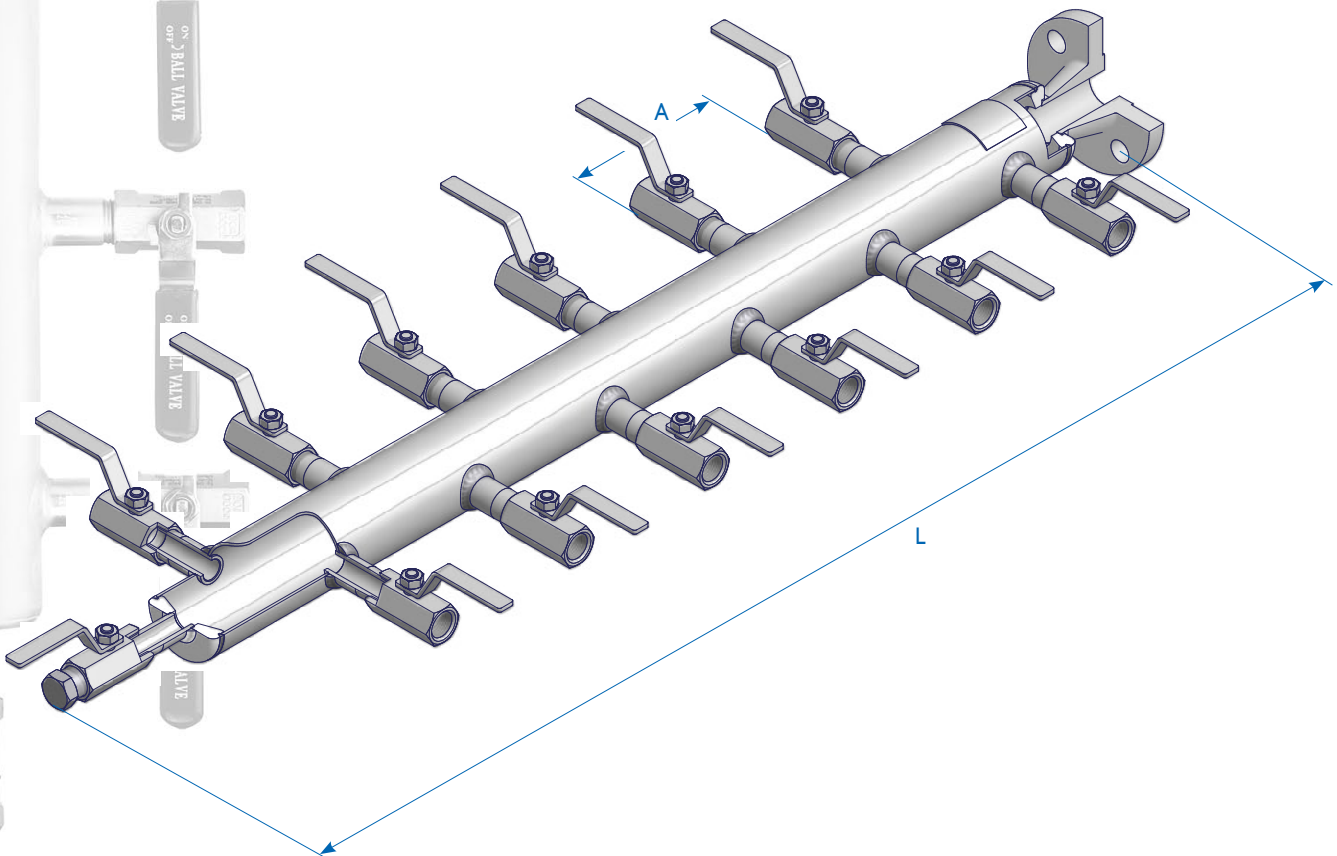
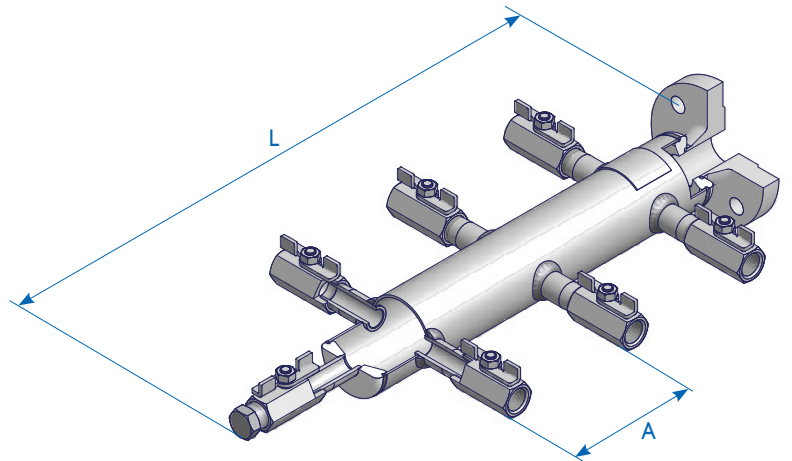
- Stainless Steel

### Optional Features

- Mounting Bracket
- Lever Operated Ball Valves with Locking Device
- Certificates according to EN 10204

Max. Working Pressure 40 bar (580 psi)

Max. Temperature 50°C



# Air Header | Ordering Information

## Ordering Information | Air Header

1	2	3	4	5	6	7	8	9	10	11	12	13	14	15
L	2	0	6	-	N	G	A	-	A	0	4	4	P	0

<b>Air Header</b>																
<b>Size</b>																
2	2" Pipe															
<b>Number of Outlet Ports</b>		<b>Approx. Length L</b>														
		<b>Dim. A 80 mm</b>		<b>Dim. A 120 mm</b>												
06	6 Outlets (3 on each side)	400 mm		480 mm												
08	8 Outlets (4 on each side)	470 mm		590 mm												
10	10 Outlets (5 on each side)	570 mm		730 mm												
12	12 Outlets (6 on each side)	650 mm		850 mm												
36	6 Outlets (3 on each side, offset)	500 mm		580 mm												
42	12 Outlets (6 on each side, offset)	740 mm		940 mm												
<b>Inlet</b>																
NGA	Flange 1" Class 150 RF															
NGB	Flange 1" Class 300 RF															
QLD	Flange EN1092-1 DN25 PN40 B1															
JJ6	G 3/4 Male (BSP Parallel)															
JR8	R 1 Male (BSP Tapered)															
LP6	Rp 3/4 Female (BSP Parallel)															
LP8	Rp 1 Female (BSP Parallel)															
JN6	3/4 NPT Male															
JN8	1 NPT Male															
LN6	3/4 NPT Female															
LN8	1 NPT Female															
<b>Outlet Ports</b>						<b>Dimension A</b>										
A04	Ball Valve 1/2 NPT Female, Butterfly Handle				80mm											
A02	Ball Valve 1/4 NPT Female, Butterfly Handle				80mm											
B04	Ball Valve 1/2 NPT female, Lever Operated				120mm											
B02	Ball Valve 1/4 NPT female, Lever Operated				120mm											
ATD	Ball Valve, Butterfly Handle with Single Ferrule Tube Fitting Size 12S				80mm											
BTD	Ball Valve, Lever Operated with Single Ferrule Tube Fitting Size 12S				120mm											
AAD	Ball Valve, Butterfly Handle with Twin Ferrule Tube Fitting A-lok 12mm				80mm											
AAM	Ball Valve, Butterfly Handle with Twin Ferrule Tube Fitting A-lok 1/2"				80mm											
ASD	Ball Valve, Butterfly Handle with Twin Ferrule Tube Fitting Swagelok 12mm				80mm											
ASM	Ball Valve, Butterfly Handle with Twin Ferrule Tube Fitting Swagelok 1/2"				80mm											
BAD	Ball Valve, Lever Operated with Twin Ferrule Tube Fitting A-lok 12mm				120mm											
BAM	Ball Valve, Lever Operated with Twin Ferrule Tube Fitting A-lok 1/2"				120mm											
BSD	Ball Valve, Lever Operated with Twin Ferrule Tube Fitting Swagelok 12mm				120mm											
BSM	Ball Valve, Lever Operated with Twin Ferrule Tube Fitting Swagelok 1/2"				120mm											
004	1/2 NPT Male				80mm											
002	1/4 NPT Male				80mm											
<b>Drain Connection</b>																
4	Valve Type as above, 1/2 NPT plugged															
2	Valve Type as above, 1/4 NPT plugged															
J	1/2 NPT Male															
H	1/4 NPT Male															
<b>Material</b>																
P	Stainless Steel															
<b>Optional Features</b>																
P	Mounting Bracket for 2" Pipe c/w 'U' Bolt															
W	Mounting Bracket for Wall Mounting															

Armaturenfabrik Franz Schneider GmbH + Co. KG reserves the right to change materials, specifications or designs without notice.



# schneider

Tailored to Your Business



## Armaturenfabrik Franz Schneider GmbH + Co. KG

Bahnhofplatz 12 | 74226 Nordheim  
Deutschland / Germany

**Tel:** +49 71 33 101-0

**Fax:** +49 71 33 101-148



[www.as-schneider.com](http://www.as-schneider.com)



## AS-Schneider Asia-Pacific Pte. Ltd.

970 Toa Payoh North, #02-12/14/15  
Singapore 318992

**Tel:** +65 62 51 39 00

**Fax:** +65 62 51 39 90



[www.as-schneider.sg](http://www.as-schneider.sg)



## Armaturenfabrik Franz Schneider SRL

Sales Office:  
Str. Basarabilor, Nr. 7 | 100036 Ploiesti  
Romania

**Tel:** +40 244 384 963

**Fax:** +40 244 384 963

Production Plant:  
Str. Mihai Viteazu, Nr. 327i | 507085 Harman  
Jud. Braşov | Romania

**Tel:** +40 368 41 40 25

**Fax:** +40 368 41 40 26



[www.as-schneider.ro](http://www.as-schneider.ro)



## AS-Schneider Middle East FZE

P.O. Box 18749 | Dubai  
United Arab Emirates

**Tel:** +971 4 880 85 75

**Fax:** +971 4 880 85 76



[www.as-schneider.ae](http://www.as-schneider.ae)



## AS-Schneider America, Inc.

17421 Village Green Dr | Houston, TX 77040  
United States of America

**Tel:** +1 281 2 58 42 63

**Fax:** +1 281 5 06 79 35



[www.as-schneider.com](http://www.as-schneider.com)