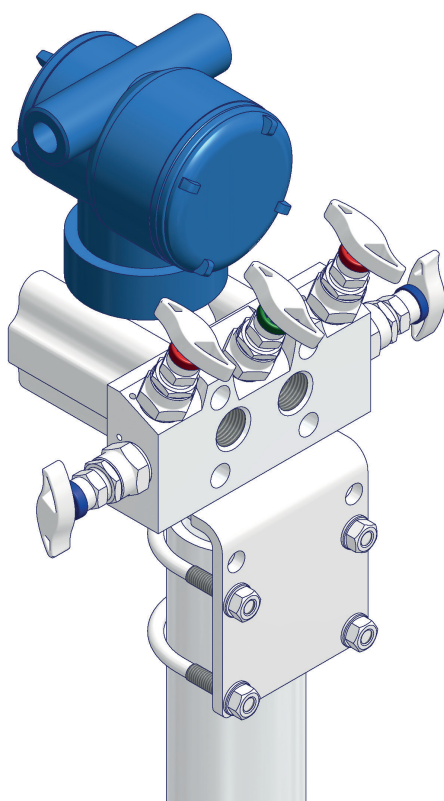
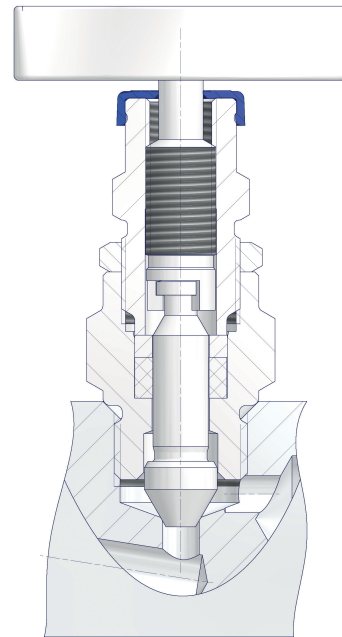


E Series Valves

New Valve Head Unit

Features and Benefits

- **BILL OF MATERIAL**
All non-wetted parts are in 316 stainless steel.
- **NEW STEM DESIGN**
Results in a considerably reduced operating torque.
- **NON-ROTATING NEEDLE**
For smooth operation and minimum wear of sealing elements (packing/O-Ring).
- **COLOR CODED DUST CAP**
For operating thread protection and also the functional identification - Isolate (blue), Equalize (green) and Vent (red).
- **COLOR CODED OPTIONS (SEE BELOW)**
For an easy identification of standard options.
- **ERGONOMIC HANDLE DESIGN**
Positively locked. Means, stem and T Handle are connected by a square and positioned by a set screw.
- **INCREASED MAX. ALLOWABLE TEMPERATURE**
- PTFE up to 232°C (450°F)



- The reduced operating torque resulted in a shorter T Handle.
- Additionally AS-Schneider optimized the inclination angles of the valve head units (mainly equalizing valve and vent valves).

YOUR BENEFIT:

As a result of both improvements AS-Schneider 3 and 5 valve manifolds can be operated even when transmitters with unfavorable dimensions are assembled.

Standard Valve Design

T Handle

Operating options are Anti-Tamper features or a Stainless Steel Handwheel.

Valve Stem

Stem with cold rolled threads for high strength and smooth operation.

Needle Seal

Standard: PTFE or Graphite Packing
Options: O-Ring or Bellows Sealed

Needle

Non-rotating Needle for smooth operation and minimum wear of sealing elements.

Back Seat

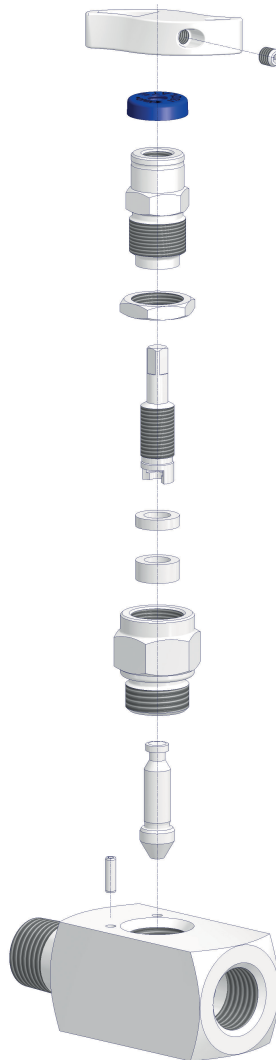
Metal to Metal secondary needle seal and therefore the needle is anti-blowout / non-removable – for your safety.

Needle Tip

Choices of Needle Tip Materials such as Stellite, and Soft Tips like PCTFE and POM.

Valve Seat

Metal seated (integral type) and Soft seated → See Page 7 and Catalogue AS-4302.



Color Coded Dust Cap

For operating thread protection:

Isolate	Blue
Vent / Test	Red
Equalize	Green

Color Coded Options

Following options are also color coded below dust cap:

Oxygen Service	White
Graphite Packing	Black
FKM O-ring Stem Seal with PCTFE Soft Tip	Orange
TA-Luft Option	Magenta

Lock Pin

Eliminates unauthorized removal of the bonnet assembly.

Bonnet

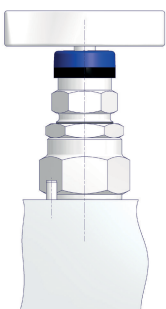
Metal to Metal Seal to Valve Body.

Traceability of Materials

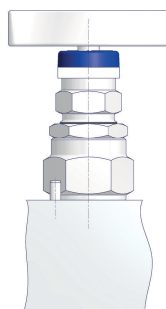
All AS-Schneider E Series Valves and Manifolds have material traceability. A unique code is stamped on all valve bodies linking them with their material and chemical analysis certificates.

Color Coded Options

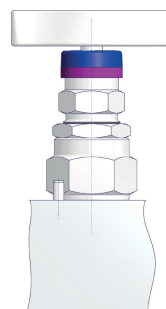
Graphite Packing



Oxygen Service



TA-Luft Option



FKM O-Ring Stem Seal with PCTFE Soft Tip

