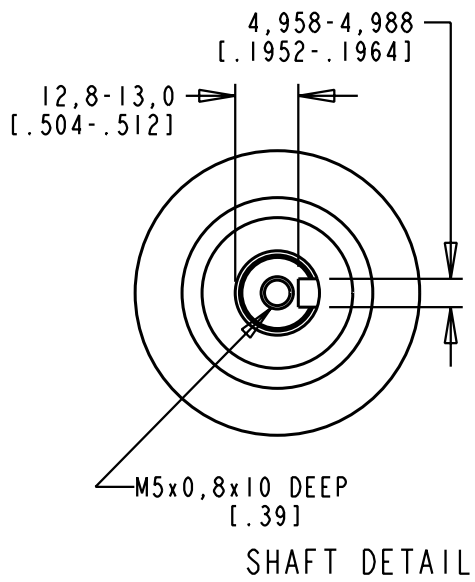


KEY SUPPLIED
 5+0, -0,030 x
 5+0, -0,030 x
 20

OPTIONAL SHAFT SEAL
 Ø 30xØ 19,8x5

ENCODER CONNECTOR
 AMP 206152-1 HOUSING
 AMP 206070-8 BACKSHELL
 AMP 1658540-4 PIN CONTACTS

POWER CONNECTOR
 AMP 206705-2 HOUSING
 AMP 206966-7 BACKSHELL
 AMP 66098-9 PIN CONTACTS (U, V, W)
 AMP 164161-4 PIN CONTACT (GROUND)



PIN-OUT		
ENCODER CONNECTOR		
PIN	FUNCTION	COLOR
1-8	-	-
9	AM+	GREEN
10	AM-	GREEN/BLACK
11	BM+	BLUE
12	BM-	BLUE/BLACK
13	IM+	YELLOW
14	IM-	YELLOW/BLACK
15	S1+	GREY/BLACK
16	S1-	GREY
17	S2+	BROWN/BLACK
18	S2-	BROWN
19	S3+	WHITE/BLACK
20	S3-	WHITE
21	-	-
22	EPWR 5V	RED
23	ECOM	BLACK
24	SHIELD	DRAIN WIRE
25-28	-	-

PIN-OUT		
POWER CONNECTOR		
PIN	FUNCTION	COLOR
1	U	RED
2	V	BLACK
3	W	WHITE
4	-	-
5	GROUND	YELLOW/GREEN

NOTES:
 1. FOR ADDITIONAL SPECIFICATIONS SEE 10000000426,
 CATALOG NO. TLY-A310M-HJ62AA.

REFERENCES	
VERSION/ CHANGE NUMBER	UNLESS OTHERWISE SPECIFIED
00	10003215

DESCRIPTION
 TLY-A310M-HJ62AA, ESM

**Rockwell
Automation**

DR. S. JOHNSON | DATE 5/31/07 | SHEET 1 OF 1

DWG. SIZE B | DOCUMENT NUMBER 10000004528

DXF 2D OR STEP 3D FILE AVAILABLE

CAD DOCUMENT

Allen-Bradley

