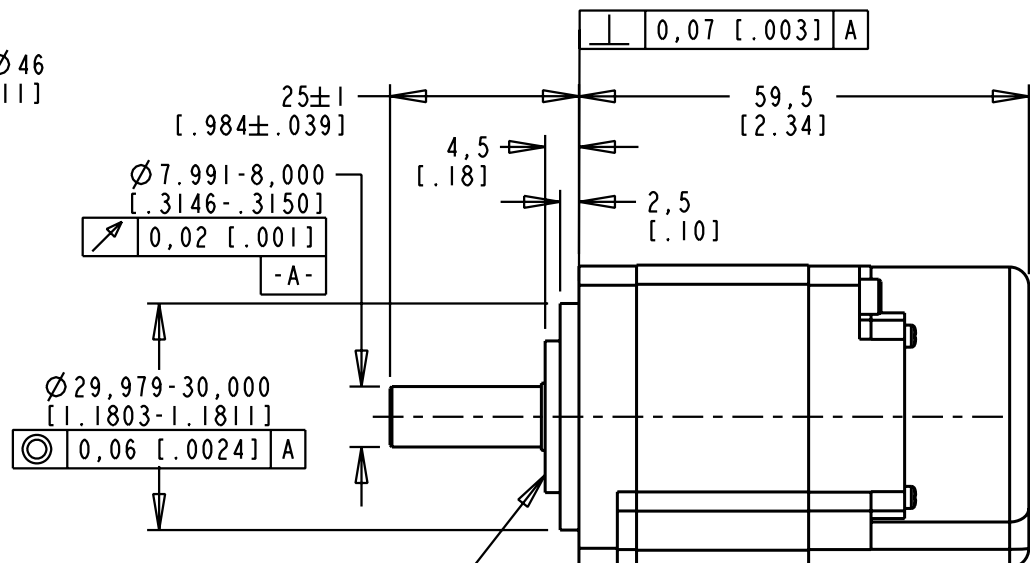
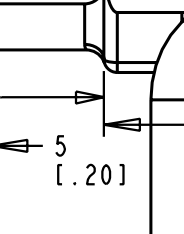
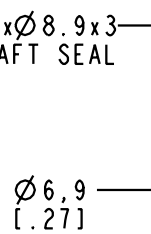


SHAFT DETAIL (NO SCALE)

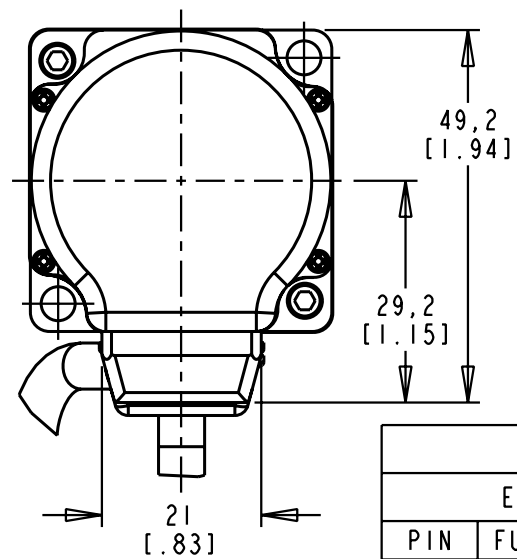


OPTIONAL SHAFT SEAL
 $\varnothing 16 \times \varnothing 8.9 \times 3$



ENCODER CONNECTOR
 AMP 206152-1 HOUSING
 AMP 206070-8 BACKSHELL
 AMP 1658540-4 PIN CONTACTS

PIN-OUT		
POWER CONNECTOR		
PIN	FUNCTION	COLOR
1	U	RED
2	V	BLACK
3	W	WHITE
4	-	-
5	GROUND	YELLOW/GREEN



PIN-OUT		
ENCODER CONNECTOR		
PIN	FUNCTION	COLOR
1-8	-	-
9	AM+	GREEN
10	AM-	GREEN/BLACK
11	BM+	BLUE
12	BM-	BLUE/BLACK
13	IM+	YELLOW
14	IM-	YELLOW/BLACK
15	SI+	GREY/BLACK
16	SI-	GREY
17	S2+	BROWN/BLACK
18	S2-	BROWN
19	S3+	WHITE/BLACK
20	S3-	WHITE
21	-	-
22	EPWR 5V	RED
23	ECOM	BLACK
24	SHIELD	DRAIN WIRE
25-28	-	-

POWER CONNECTOR
 AMP 206705-2 HOUSING
 AMP 206966-7 BACKSHELL
 AMP 66102-9 PIN CONTACTS (U,V,W)
 AMP 164161-4 PIN CONTACT (GROUND)

NOTES:

1. FOR ADDITIONAL SPECIFICATIONS SEE 10000000426, CATALOG NO. TLY-A120T-HK62AA.

REFERENCES	
VERSION/CHANGE NUMBER	UNLESS OTHERWISE SPECIFIED
00	10003215

DO NOT SCALE DRAWING
 DIMENSIONS ARE IN MILLIMETERS WITH INCHES REFERENCED (X)
 UNTOLERANCED DIMENSIONS ARE REFERENCE
 3RD ANGLE PROJECTION

DESCRIPTION
 TLY-A120T-HK62AA, ESM

Rockwell Automation

DR. S. JOHNSON | DATE 6/05/07 | SHEET 1 OF 1

DXF 2D OR STEP 3D FILE AVAILABLE

CAD DOCUMENT

Allen-Bradley

DWG. SIZE B | DOCUMENT NUMBER 10000004852