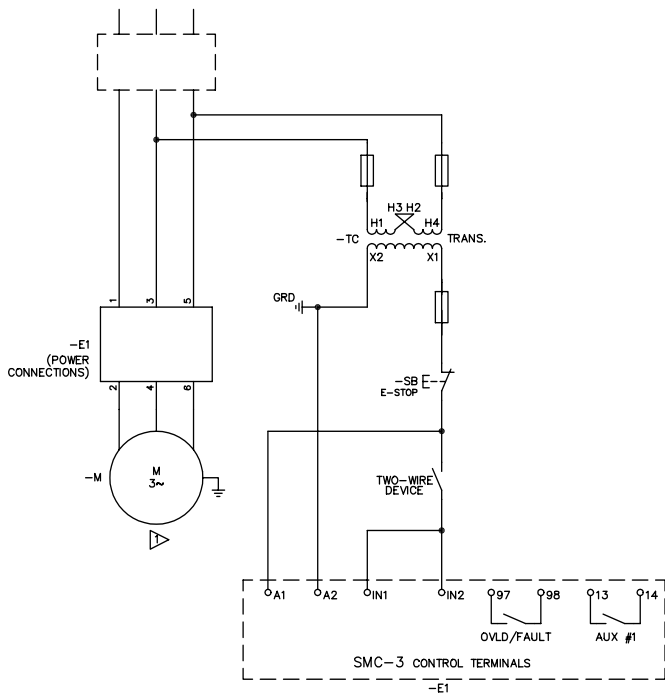
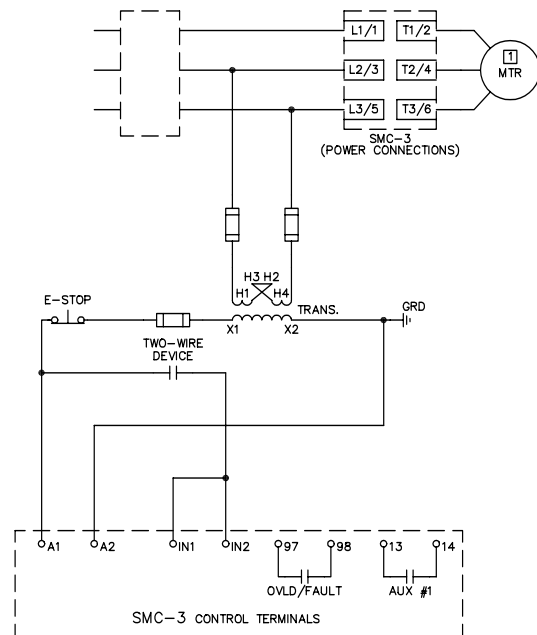


**Two-Wire Configuration**

IEC

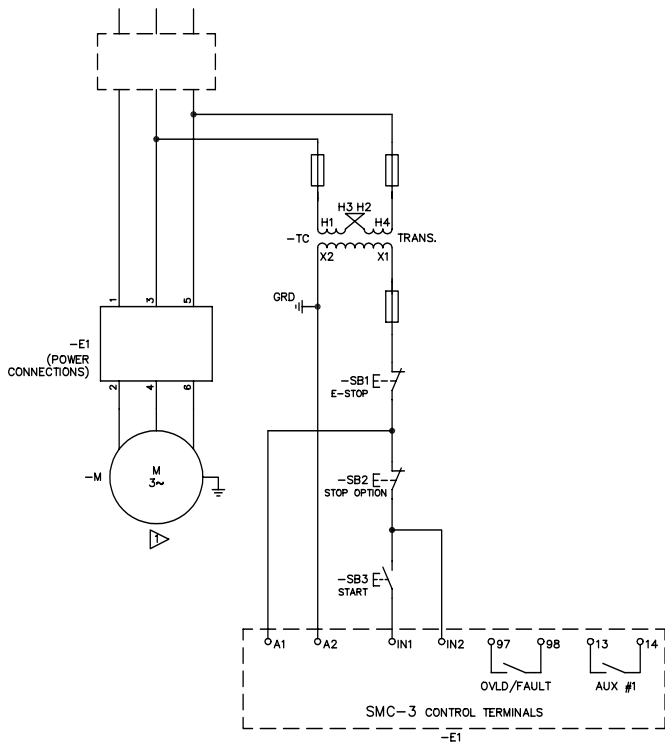


NEMA

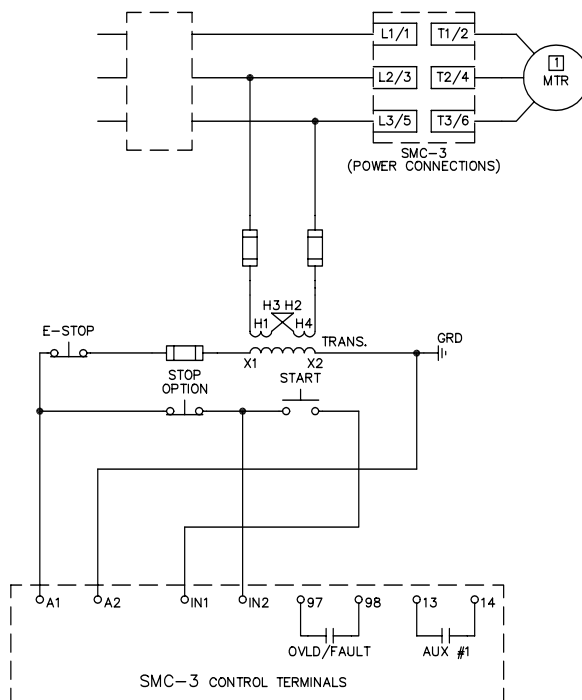


**Three-Wire Configuration**

IEC

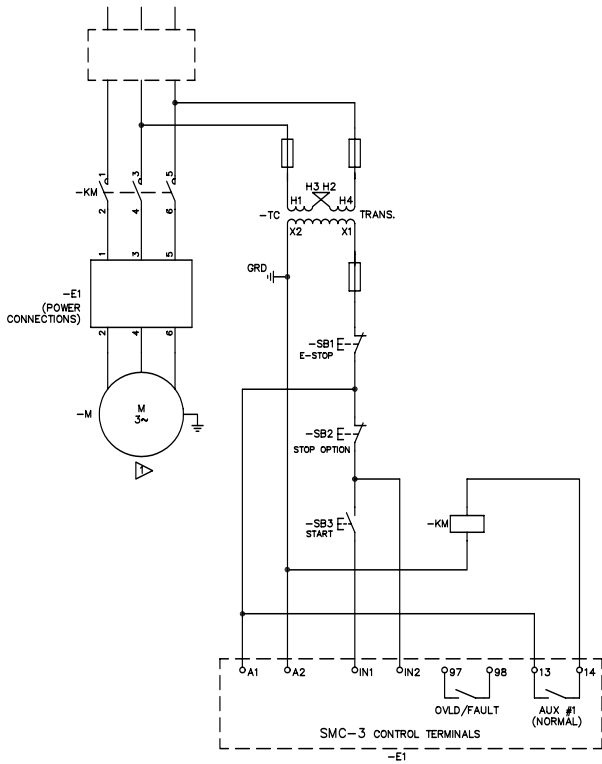


NEMA

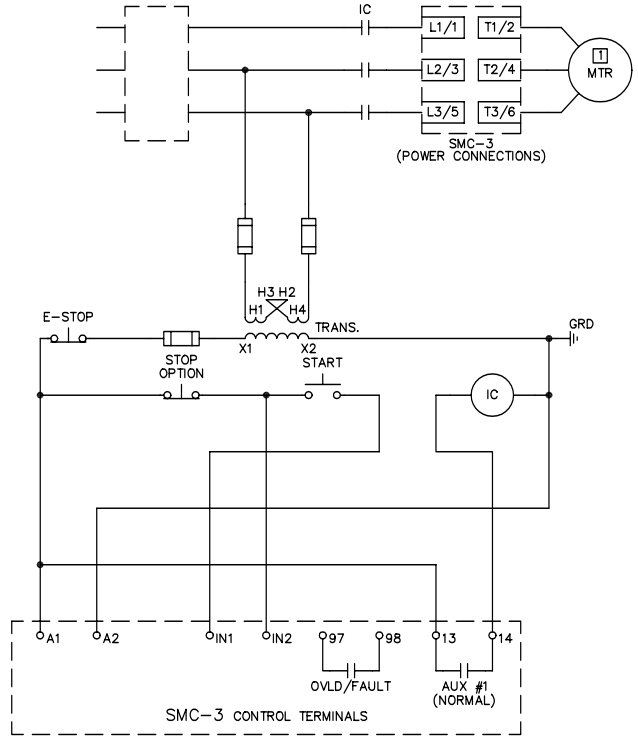


**Isolation Contactor Configuration**

IEC



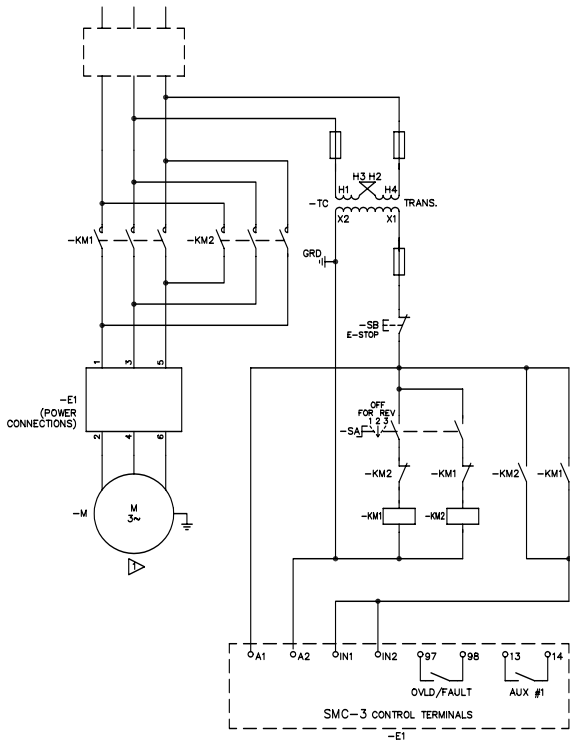
NEMA



**Reversing Configuration**

Note: Minimum Off time equals 1.0 s.

IEC



NEMA

