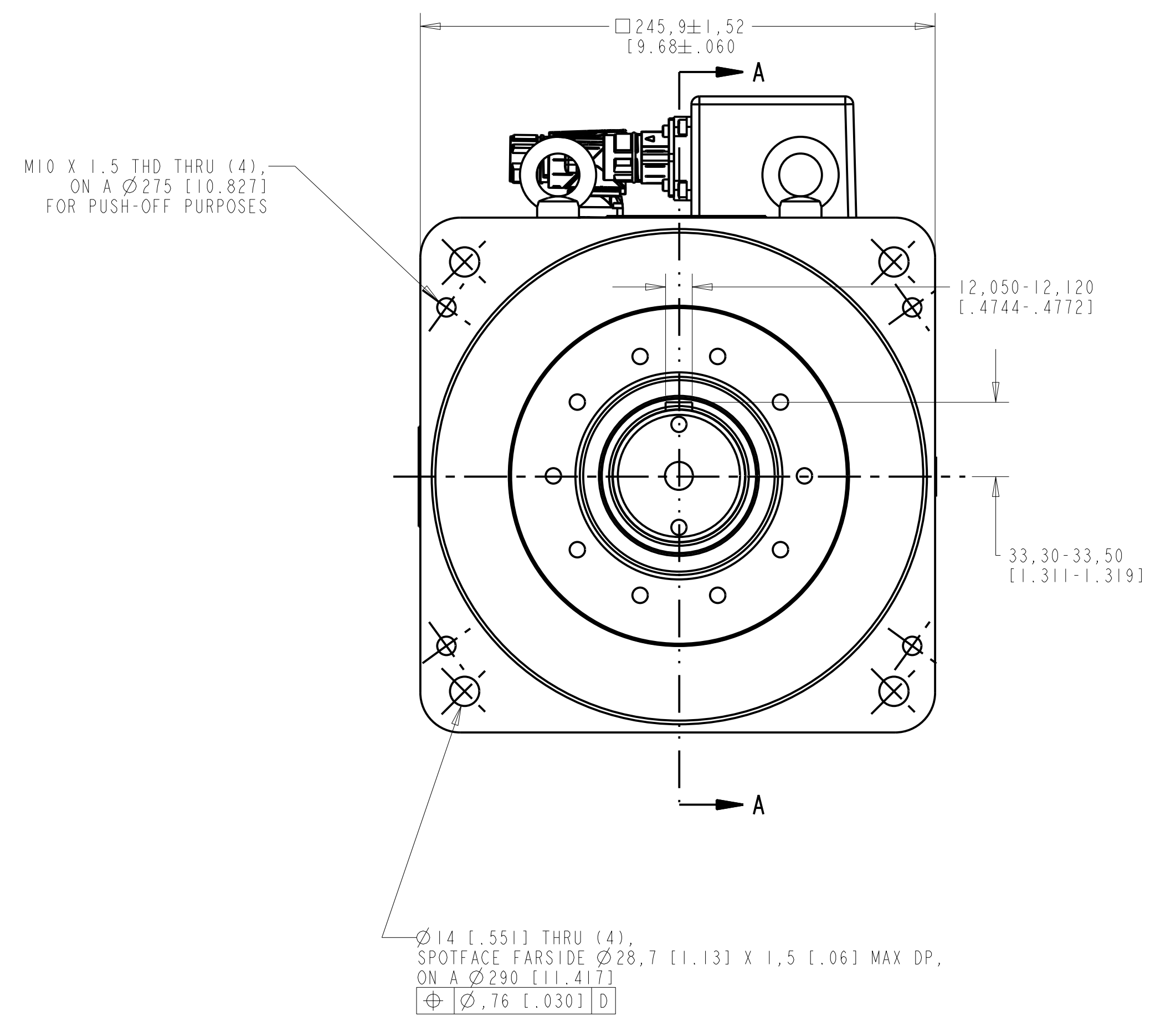
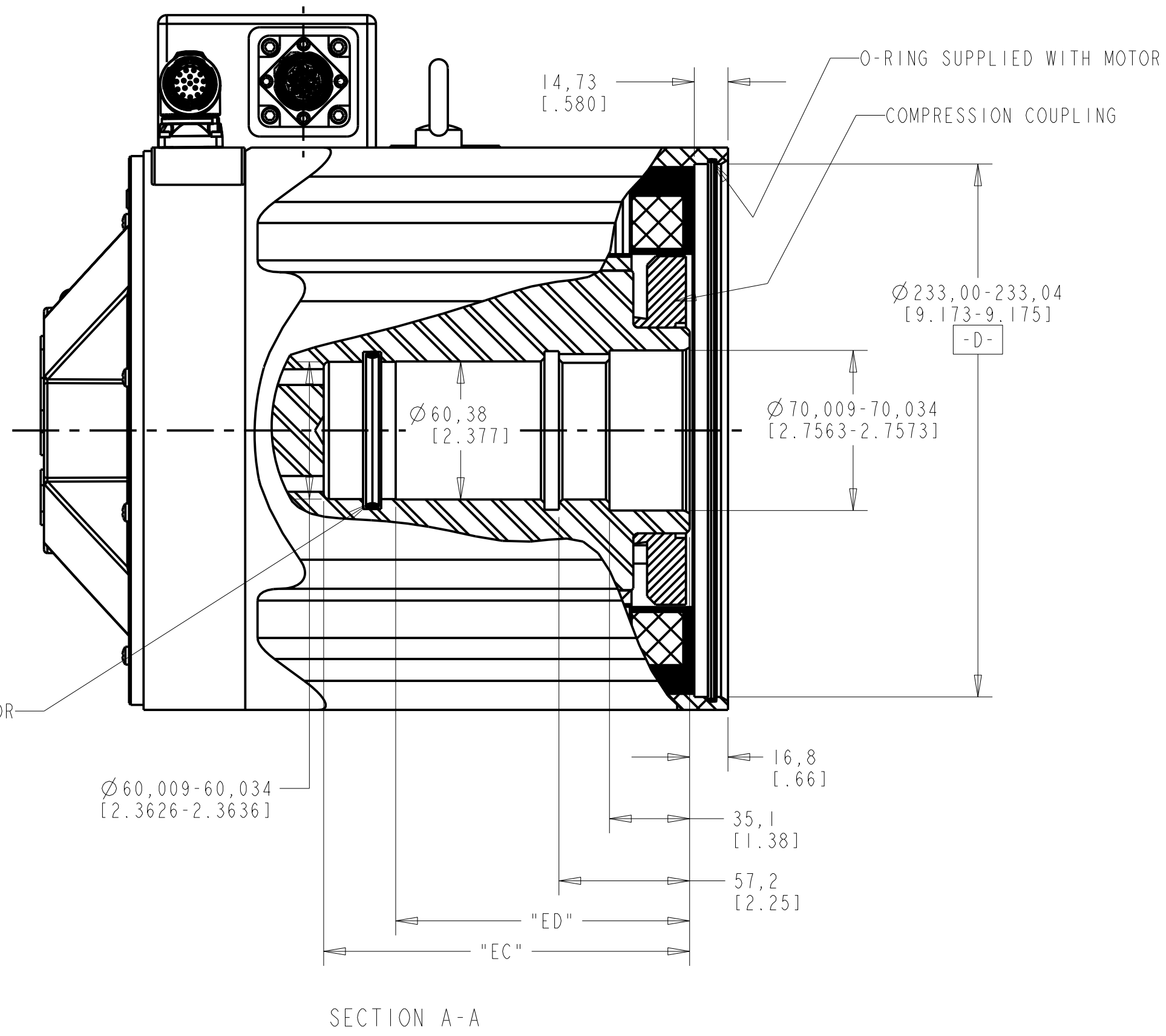
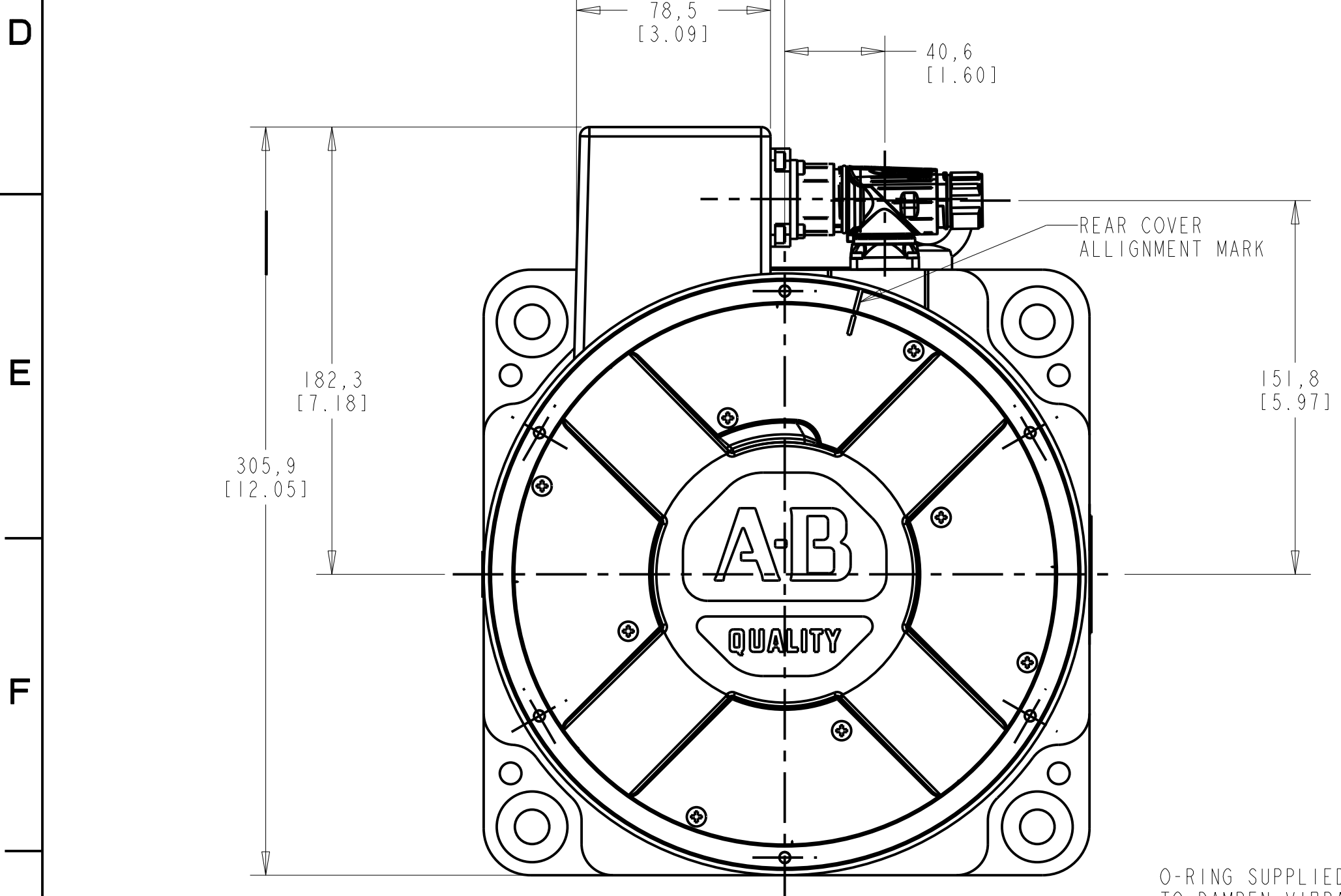
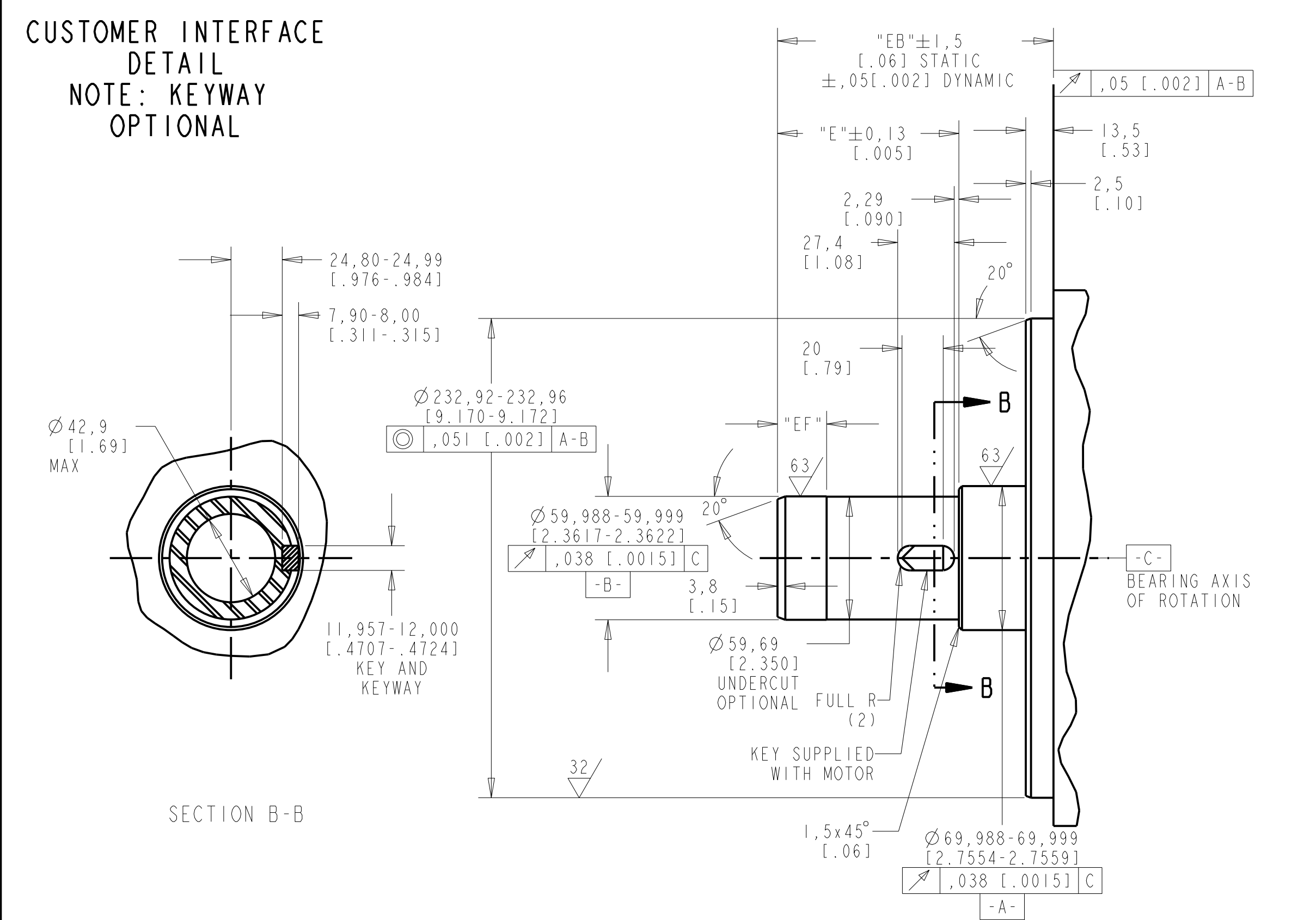
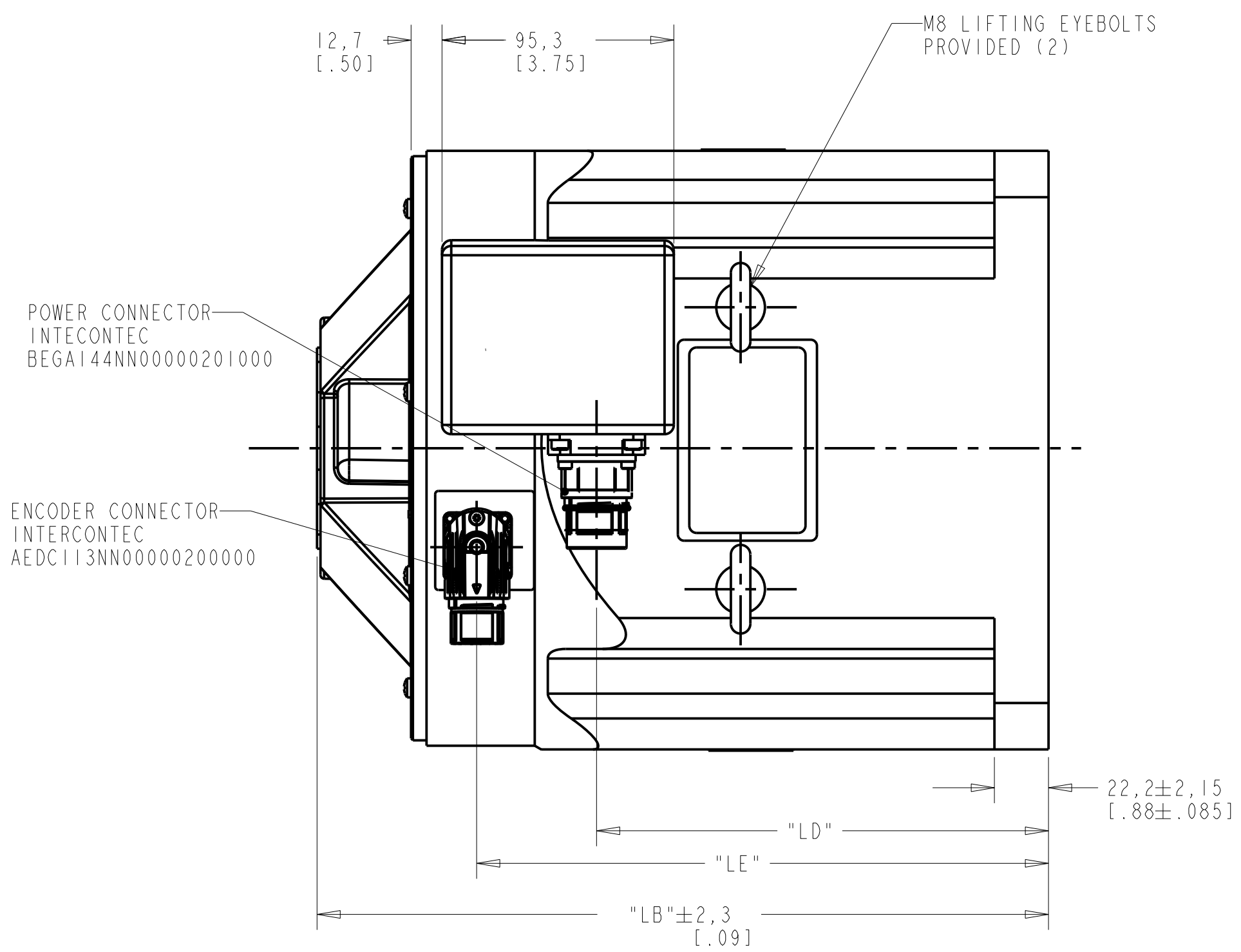


MOTOR			
MODEL	RDB-B2901	RDB-B2902	RDB-B2903
DIM "LB"	201,2 [7.921]	250,7 [9.871]	300,5 [11.831]
DIM "LD"	86,46 [3.404]	136,07 [5.357]	185,67 [7.310]
DIM "LE"	135,74 [5.344]	185,34 [7.297]	234,95 [9.250]

SHAFT			
MODEL	RDB-B2901	RDB-B2902	RDB-B2903
DIM "E"	43,94 [1.730]	88,14 [3.470]	124,71 [4.910]
DIM "EB"	89,92 [3.540]	134,11 [5.280]	170,69 [6.720]
DIM "EC"	77,7 [3.06]	123,4 [4.86]	160,0 [6.30]
DIM "ED"	57,2 [2.25]	93,5 [3.68]	128,5 [5.06]
DIM "EF"	9,7 [.38]	23,9 [.94]	25,4 [1.00]

PIN-OUT		PIN-OUT	
POWER CONNECTOR	FUNCTION	ENCODER CONNECTOR	FUNCTION
A	U	1	SIN +
B	V	2	SIN -
C	W	3	COS +
⊕	GND	4	COS -
E	-	5	DATA +
F	-	6	DATA -
G	-	7	CLK+
H	-	8	CLK-
L	-	9	EPWR 9V
		10	ECOM
		11-12	-
		13	TS +
		14	TS -
		15-17	-



NOTES:
 1 DXF FILE OF THIS DRAWING MUST BE SCALED TO LENGTH, SEE CHART ABOVE. MODEL SHOWN IS "RDB-B29093-xB72AA".
 2. 3D STEP (.stp) FILES AVAILABLE FOR ALL MODELS.

UNLESS OTHERWISE SPECIFIED DO NOT SCALE DRAWING DIMENSIONS ARE IN MILLIMETERS WITH INCHES REFERENCED (X) UNTOLEERANCED DIMENSIONS ARE REFERENCE 3RD ANGLE PROJECTION	Rockwell Automation RDB-B290xx-xB72AA, ESM SIZE M23 CONNECTOR	CONFIDENTIAL AND PROPRIETARY INFORMATION THIS DOCUMENT CONTAINS CONFIDENTIAL AND PROPRIETARY INFORMATION OF ROCKWELL AUTOMATION, INC. AND MAY NOT BE USED, COPIED OR DISCLOSED TO OTHERS, EXCEPT WITH THE AUTHORIZED WRITTEN PERMISSION OF ROCKWELL AUTOMATION, INC.	
		Sheet 1 of 1	Ver 00
Drawn by: SJOHNSON	Date: 05-21-09	Size D	10000076662