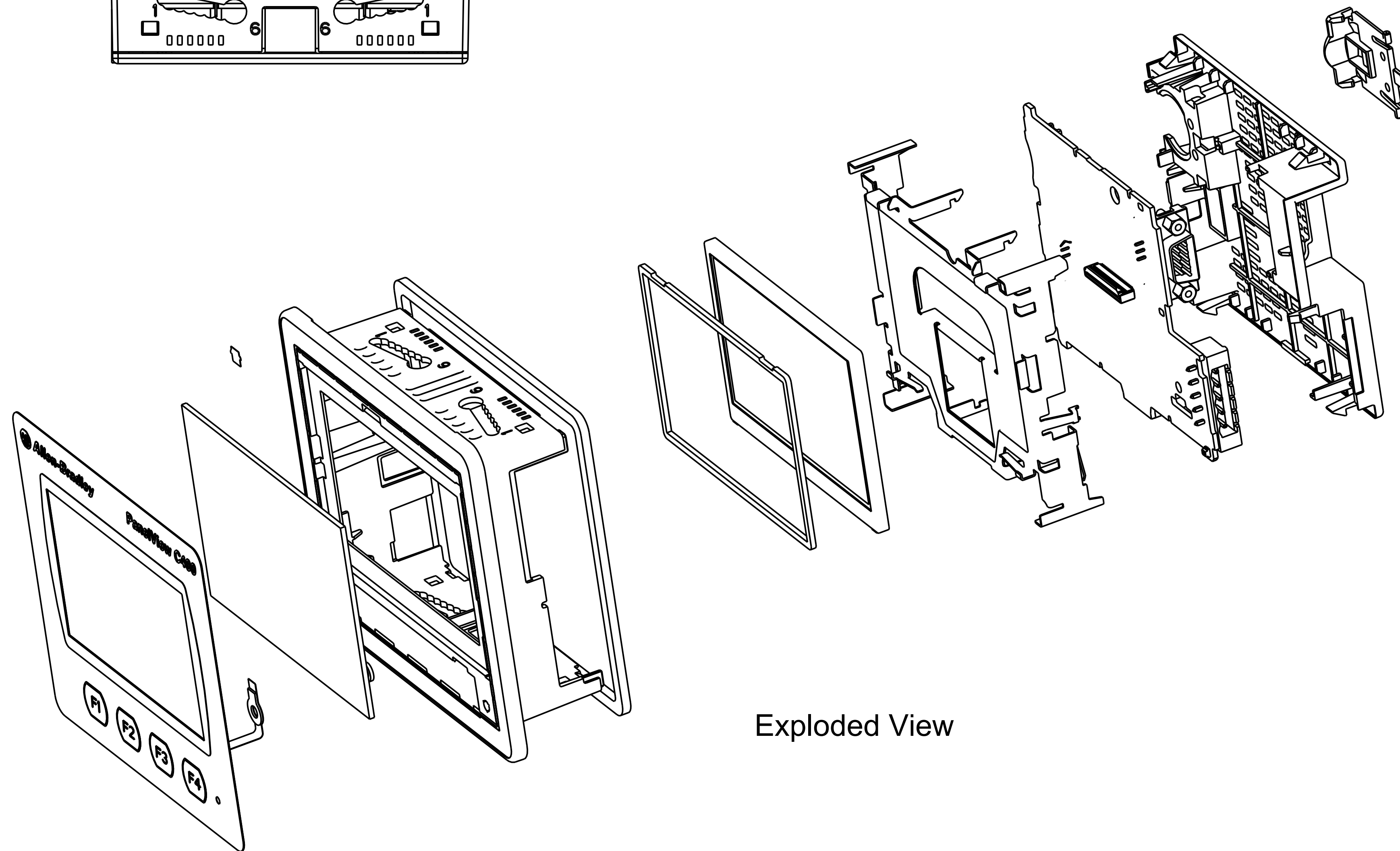
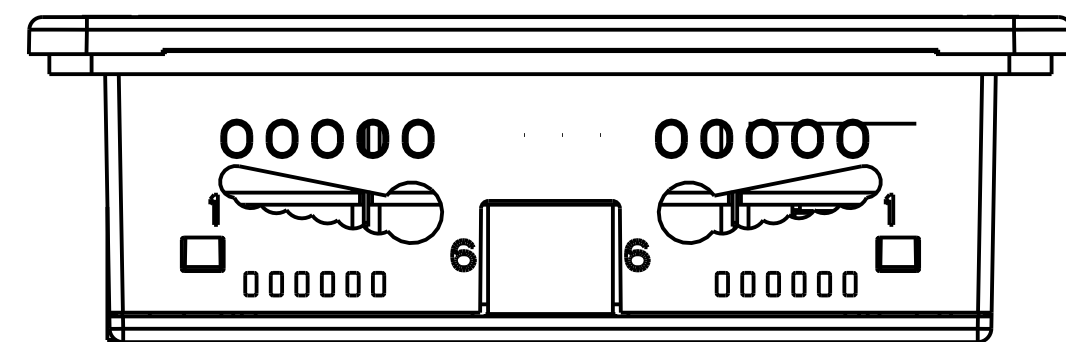
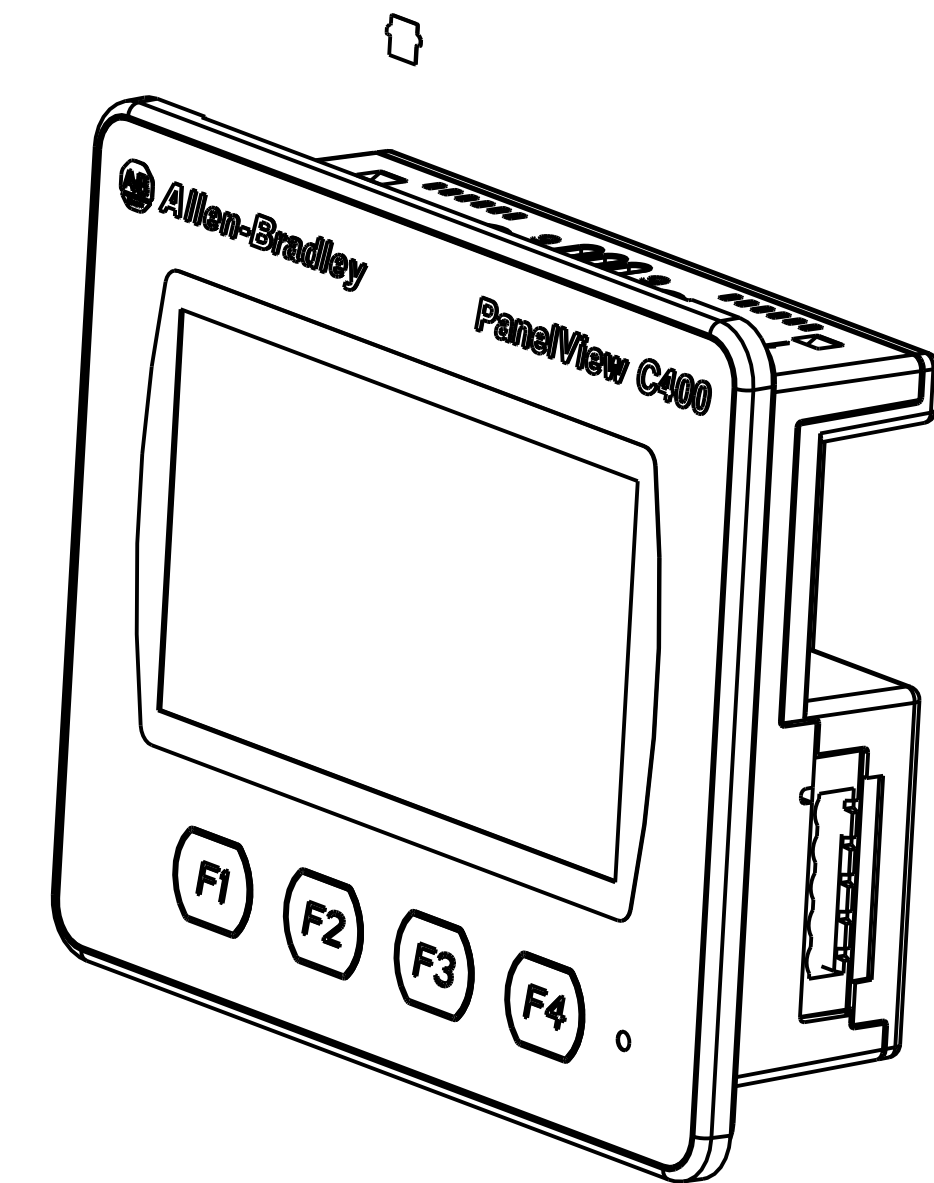
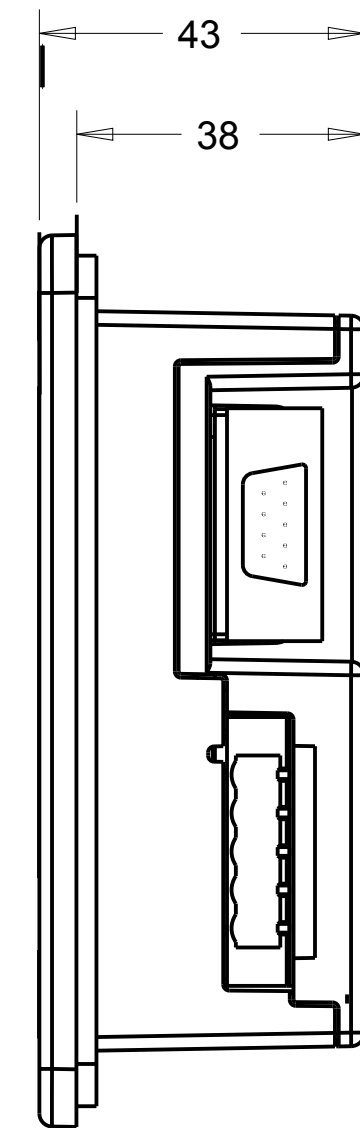
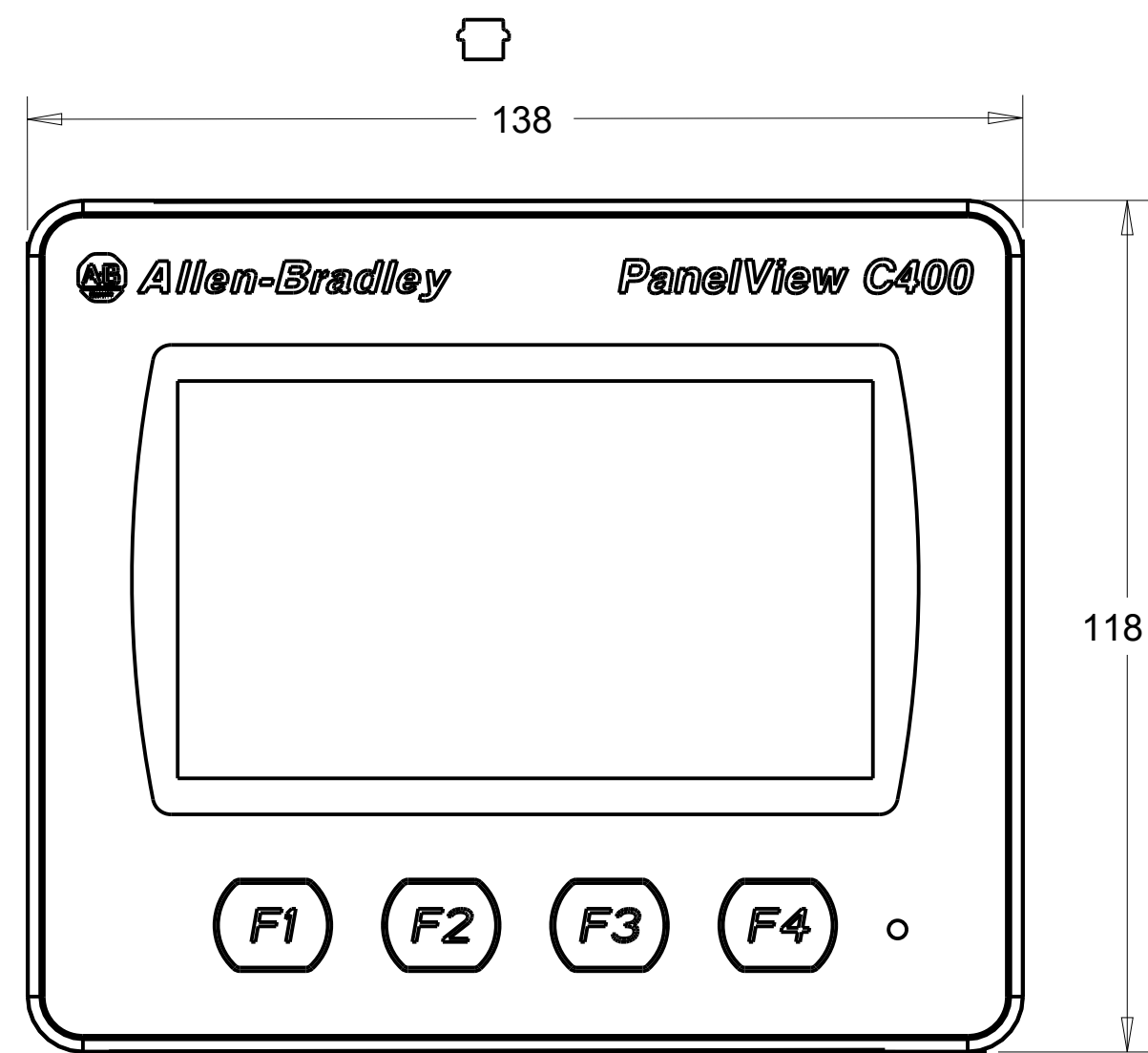


1 2 3 4 5 6 7 8

A
B
C
D
E
F
G
H



Exploded View

		<small>CONFIDENTIAL AND PROPRIETARY INFORMATION THIS DOCUMENT CONTAINS CONFIDENTIAL AND PROPRIETARY INFORMATION OF ROCKWELL AUTOMATION, INC. AND MAY NOT BE USED, COPIED OR DISCLOSED TO OTHERS, EXCEPT WITH THE AUTHORIZED WRITTEN PERMISSION OF ROCKWELL AUTOMATION, INC.</small>	
		Sheet 1 Of 1	
2711C-T4T ASSEMBLY		Size D	Ver 00
Drawn by: KCHEONG1	Date: 03-30-12	10000228569	