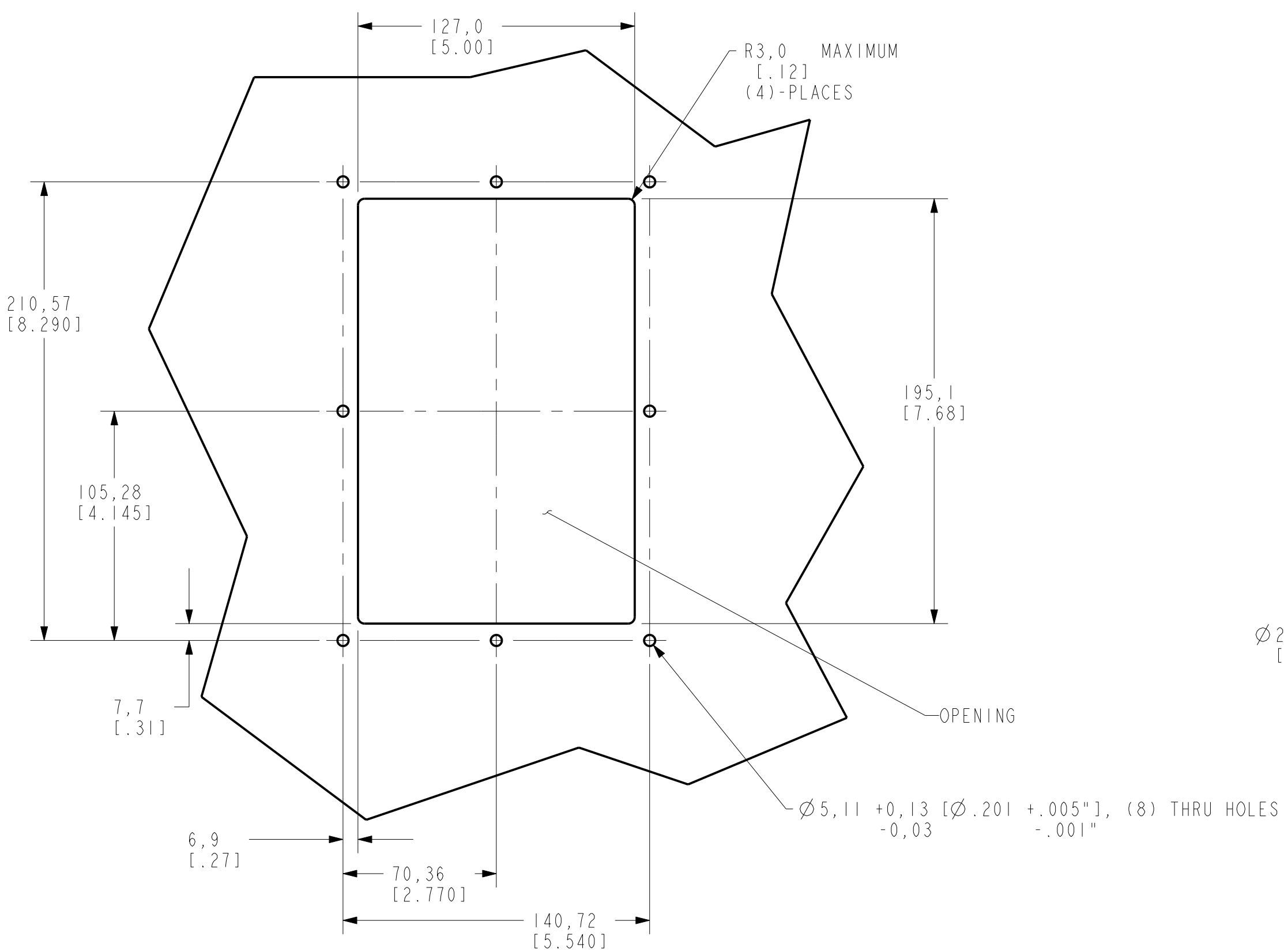
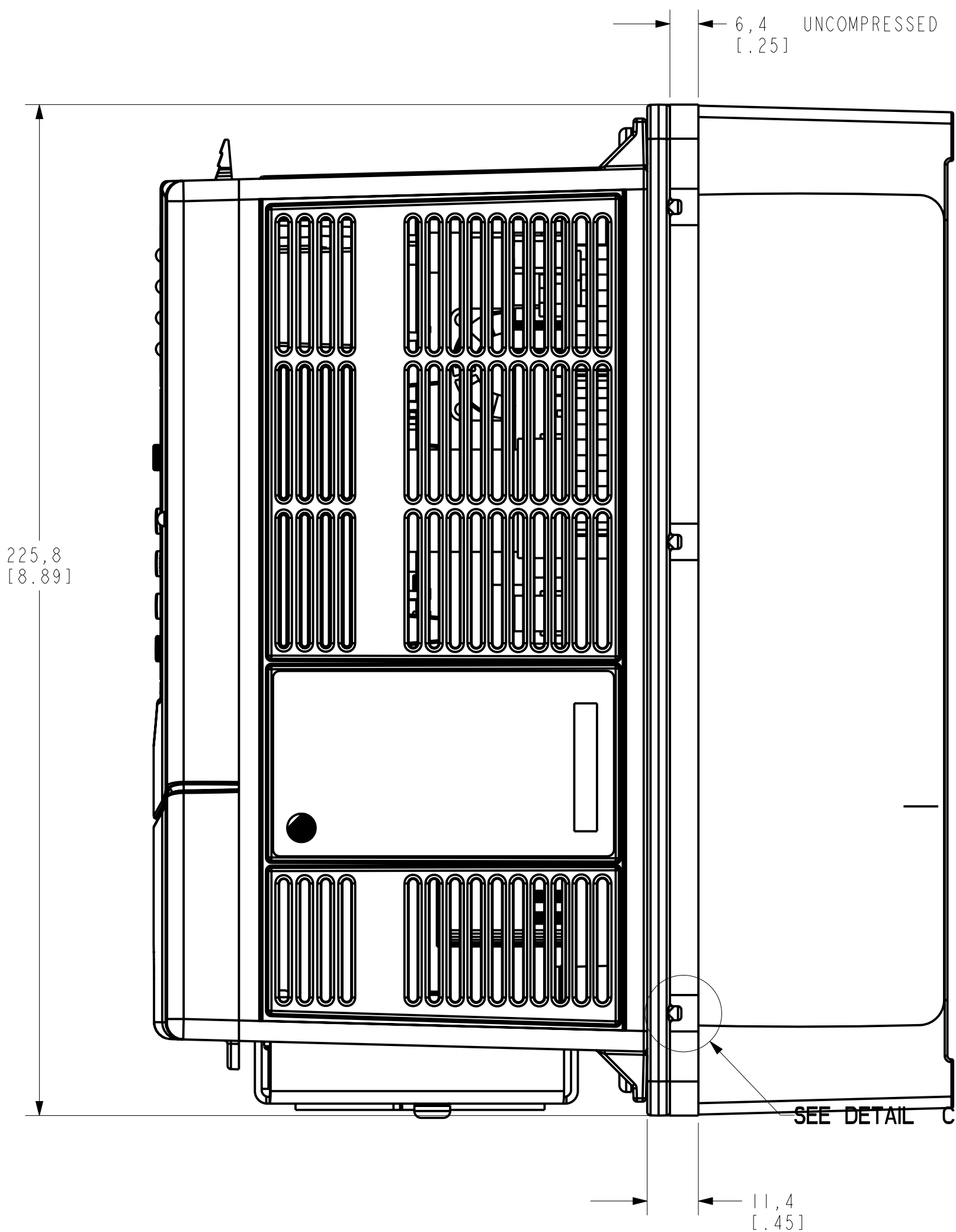
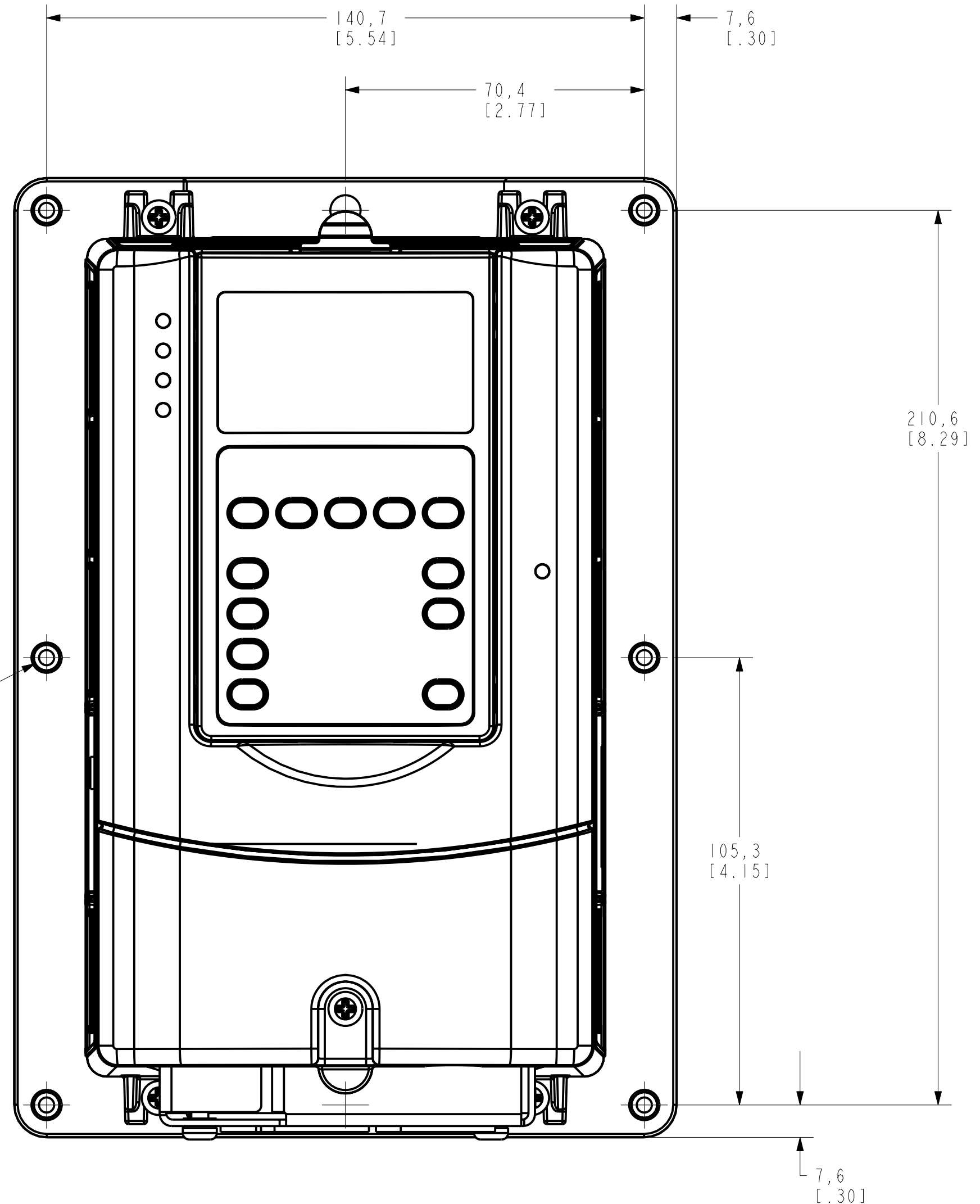
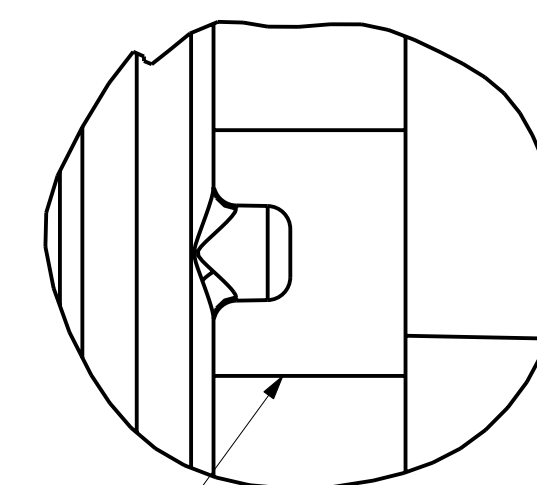
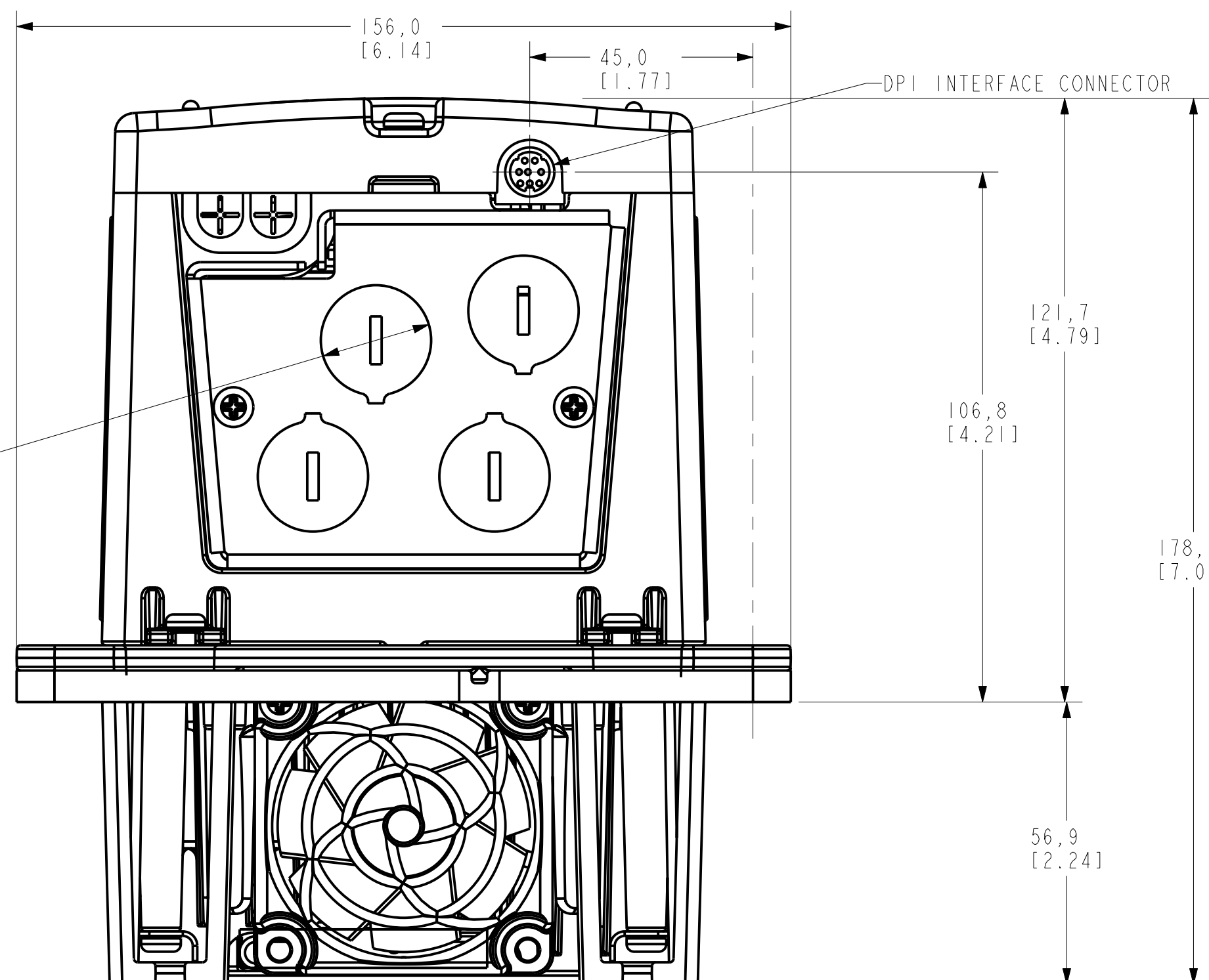


Ø6,0 THRU HOLES, (8X)  
[.24]



CUT-OUT TEMPLATE FOR FLANGE MOUNT A FRAME



METAL FLANGE STOP  
SEE NOTE 17  
(8) PLACES

NOTES:

17) COMPRESS GASKET UNTIL STOPS ON METAL FLANGE STRIKE MOUNTING SURFACE. USE SCREWS AND "O" RINGS PROVIDED.

|  |          |
|--|----------|
| PARTS MUST CONFORM TO APPLICABLE ROCKWELL AUTOMATION MANUFACTURING STANDARDS |          |
| CAD DOCUMENT   |          |
| FILE NAME  | 189680-9 |

| REFERENCES |               | DIMENSIONS APPLY BEFORE SURFACE TREATMENT |     | ASSEMBLY, A FRAME, NEMA 1 PANEL AND FLANGE MOUNT |     | CONFIDENTIAL AND PROPRIETARY INFORMATION  |            |
|------------|---------------|---|-----|--|-----|---|------------|
| REVISION   | AUTHORIZATION | DIMENSIONS IN mm [IN.]                    |     | TOLERANCES UNLESS OTHERWISE SPECIFIED            |     | THIS DOCUMENT CONTAINS CONFIDENTIAL AND PROPRIETARY INFORMATION OF ROCKWELL AUTOMATION, INC. AND MAY NOT BE USED, COPIED OR DISCLOSED TO OTHERS, EXCEPT WITH THE AUTHORIZED WRITTEN PERMISSION OF ROCKWELL AUTOMATION, INC. |            |
|            |               | XX:±                                      | N/A |  |     |   |            |
|            |               | .XXX:±                                    | N/A | DR.  | JMC | DATE  | 02-18-2000 |
| 08         | -             | ANGLES:±                                  | N/A | CHKD.  | MSM | DATE  | 02-18-2000 |
| 07         | 1026265       | SCALE                                     | 1:1 | APPD.  | KJR | DATE  | 02-18-2000 |
|            |               |   |     |  |     | SHEET   | 12 OF 12   |
|            |               |   |     |  |     | DWG. SIZE   | 189680-9   |