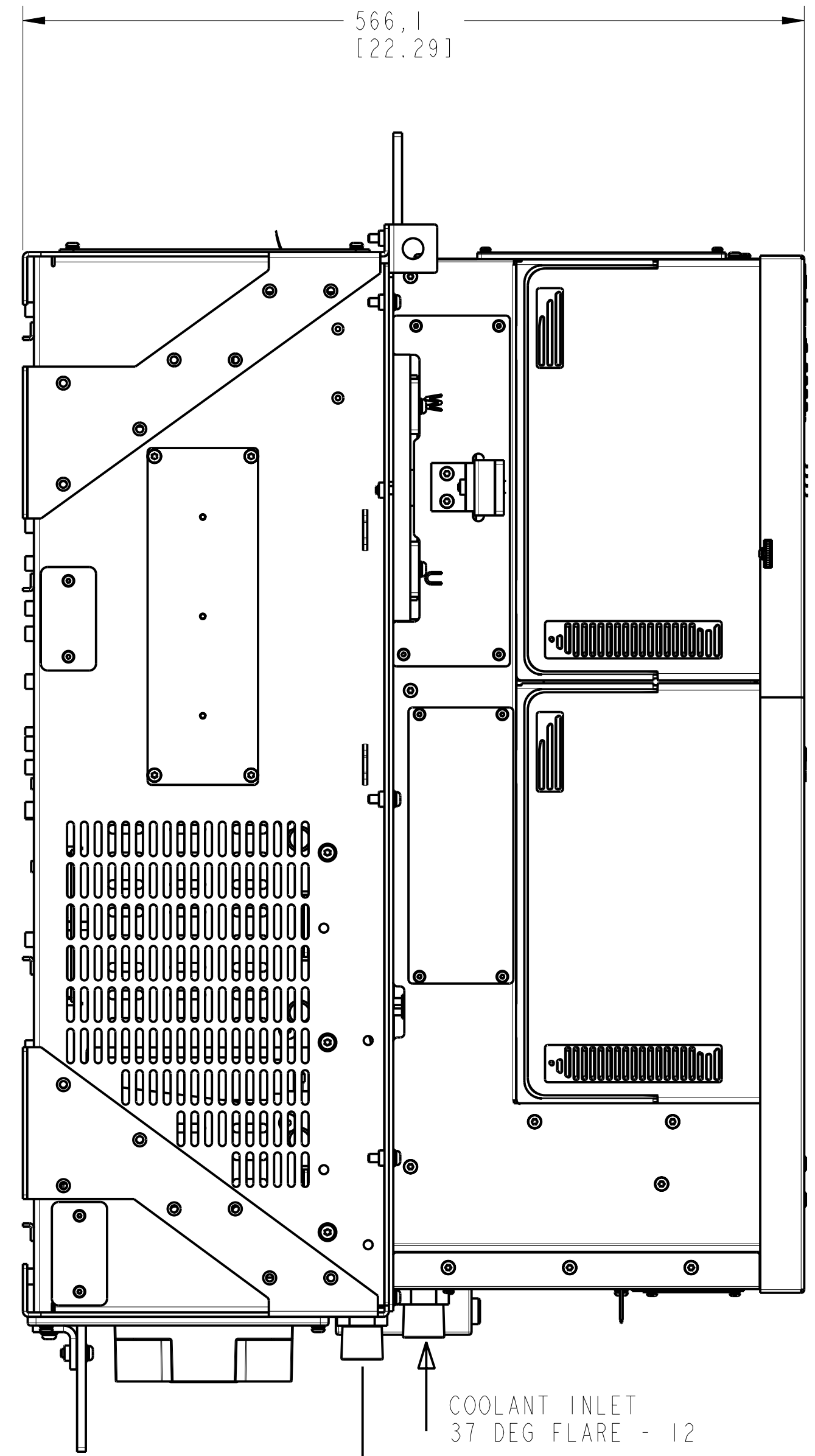


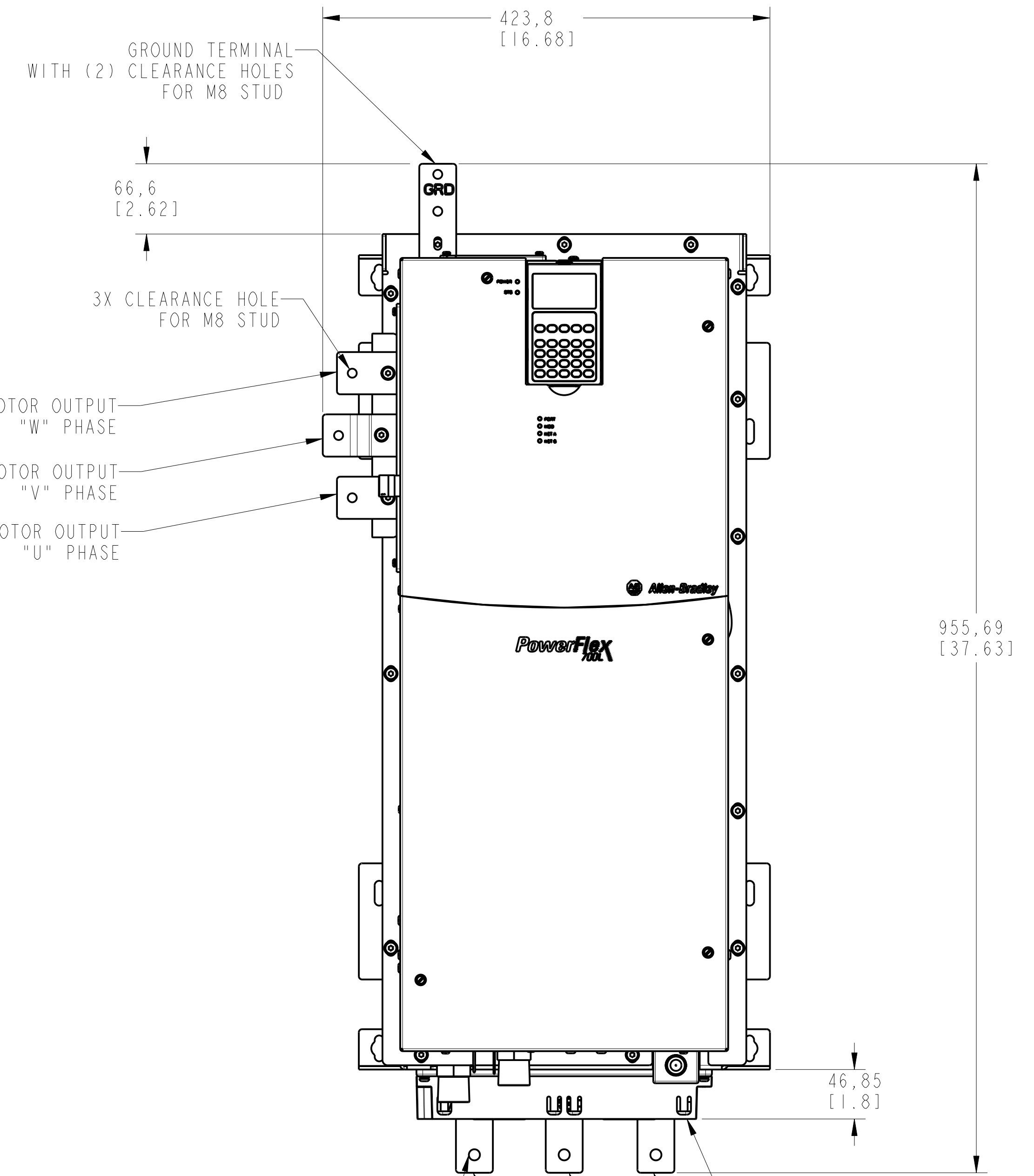
BACK VIEW

SEE DETAIL A

SEE DETAIL B



SIDE VIEW



FRONT VIEW

