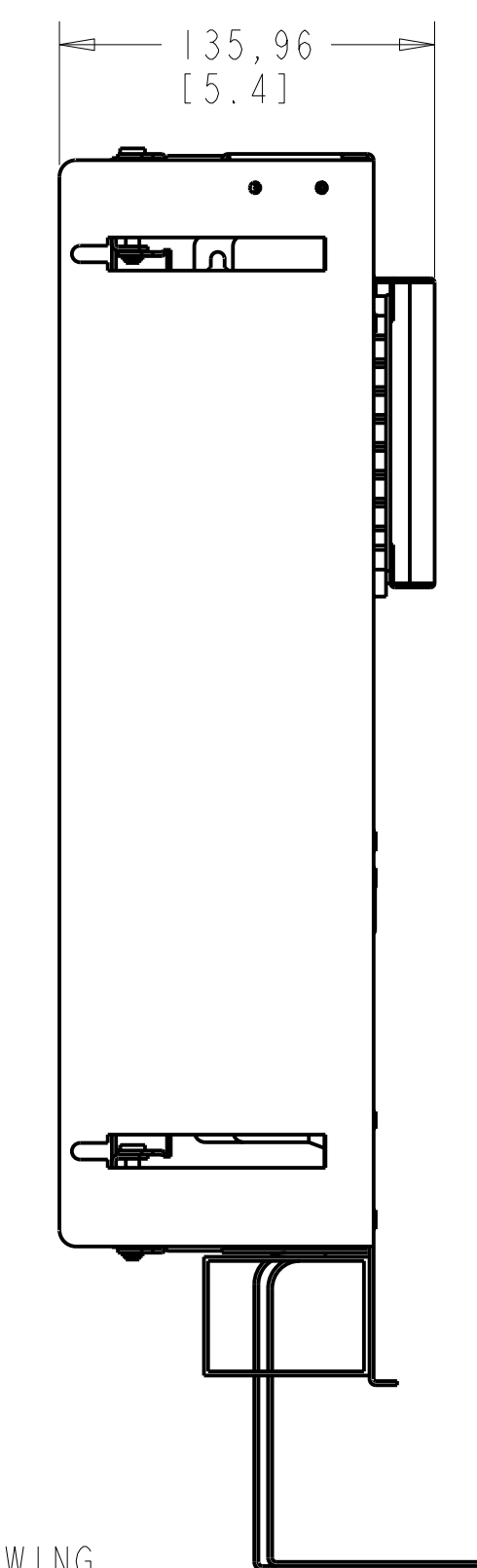
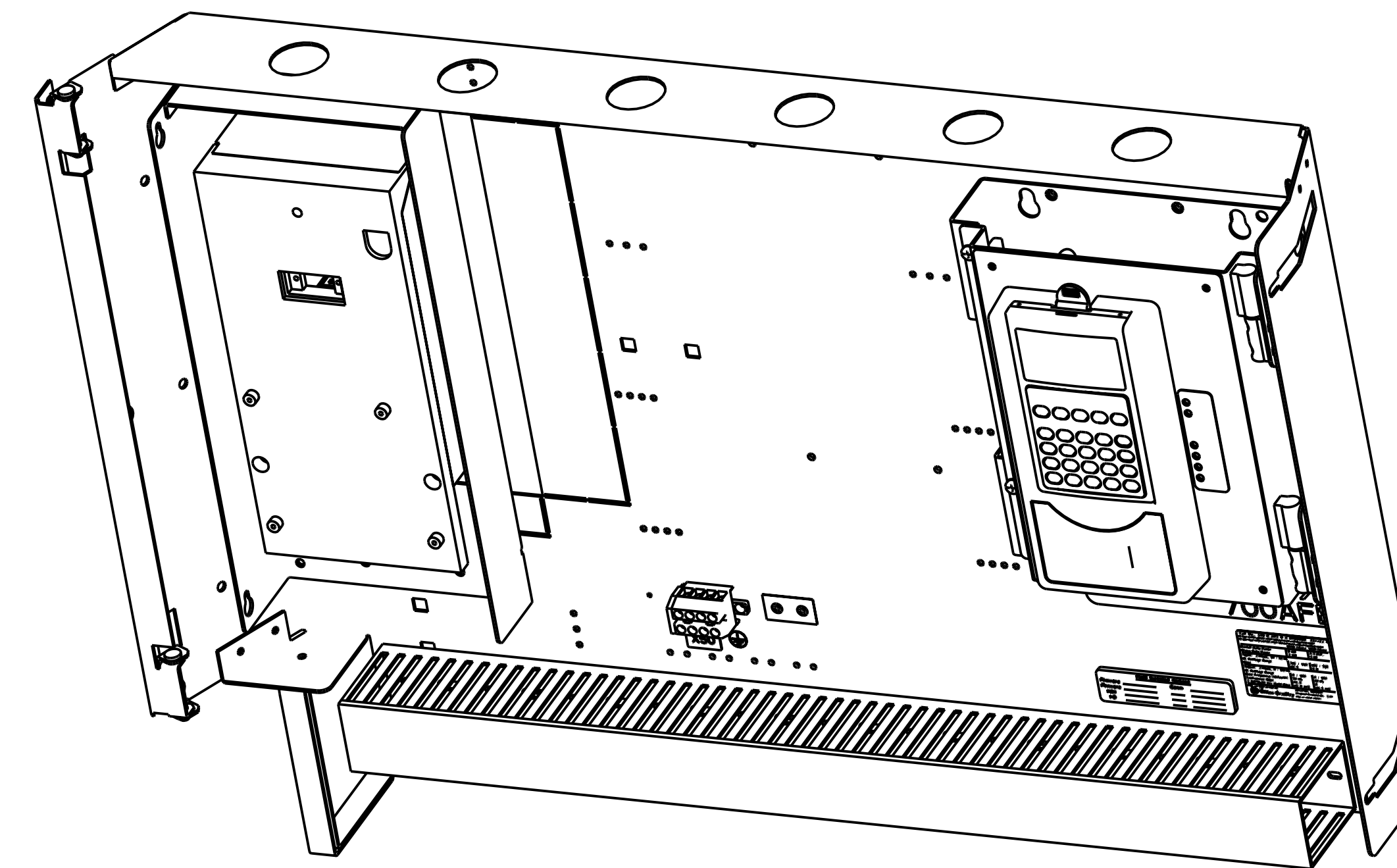
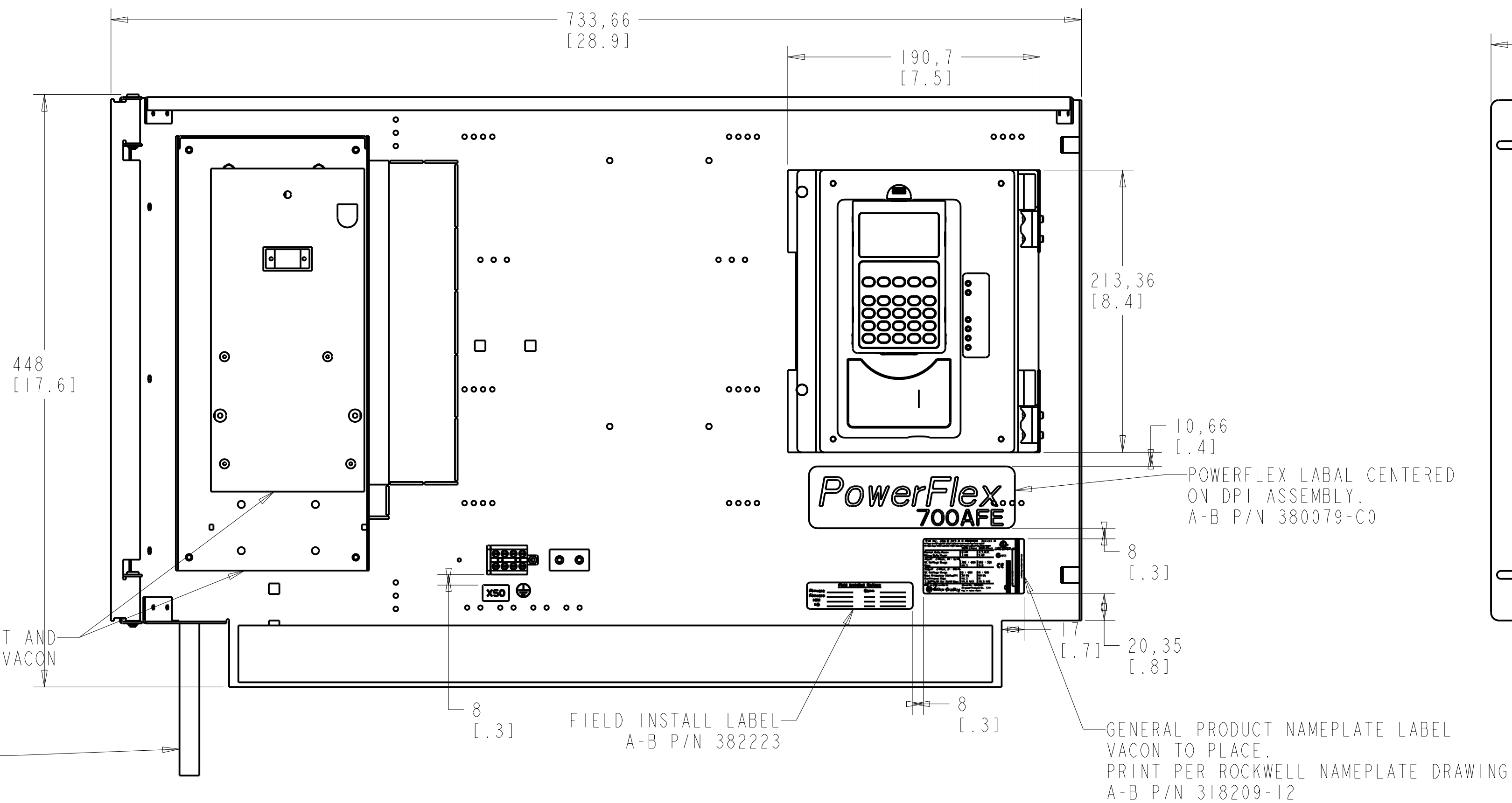


DETAIL CONTROL BOX AND OPTION CARD SLOTS

CONTROL BOX SHOWN WITH COVER HINGED OPEN.

BENT MOUNTING BRACKET AND CONTROL ARE SUPPLIED BY VACON

BONDING STRAP



PARTS MUST CONFORM TO APPLICABLE ROCKWELL AUTOMATION MANUFACTURING STANDARDS

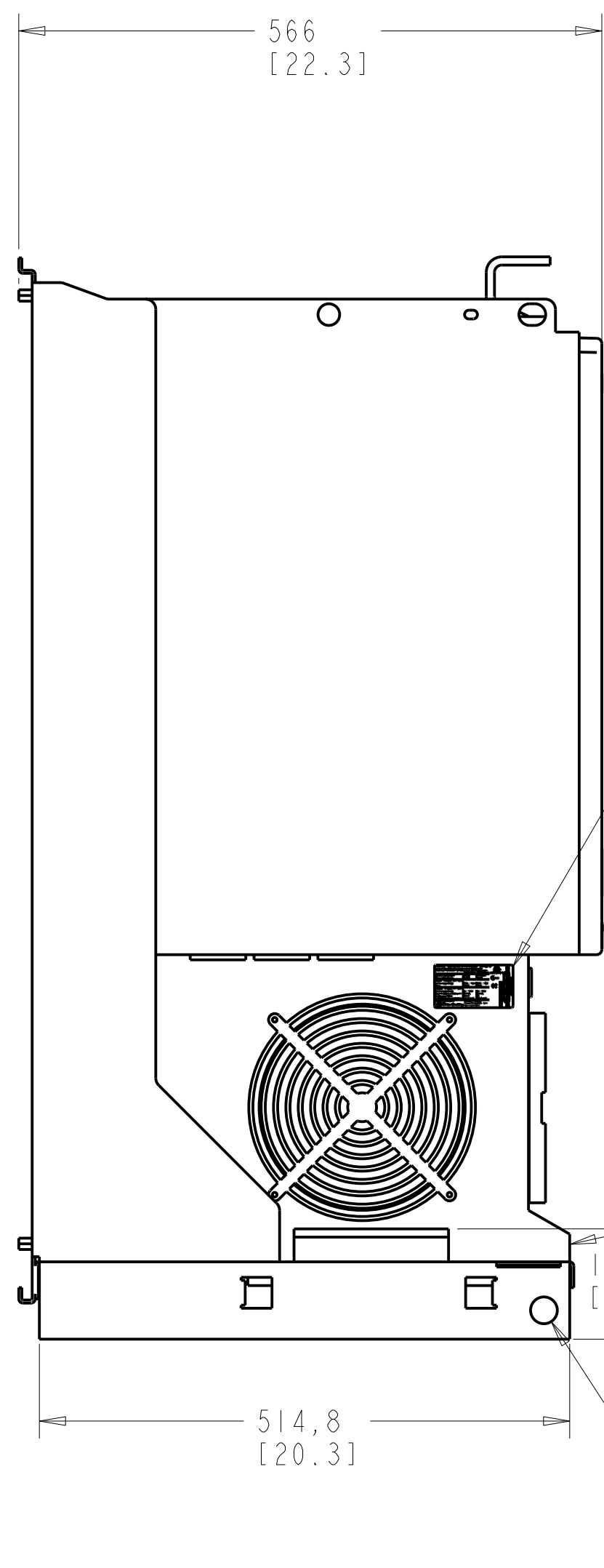
CAD DOCUMENT

FILE NAME 388828-6

REFERENCES		OUTLINE DRAWING PF700AFE		CONFIDENTIAL AND PROPRIETARY INFORMATION	
REVISION AUTHORIZATION		FRAME 13		THIS DOCUMENT CONTAINS CONFIDENTIAL AND PROPRIETARY INFORMATION OF ROCKWELL AUTOMATION, INC. AND MAY NOT BE USED, COPIED OR DISCLOSED TO OTHERS, EXCEPT WITH THE AUTHORIZED WRITTEN PERMISSION OF ROCKWELL AUTOMATION, INC.	
		Rockwell Automation			
02	2/27/09	DR.	DLE	DATE	08-19-08
01	1033002	CHKD.		DATE	
				SHEET	1 OF 5
				DWG. SIZE	D
				388828-6	

1 2 3 4 5 6 7 8

A
B
C
D
E
F
G
H

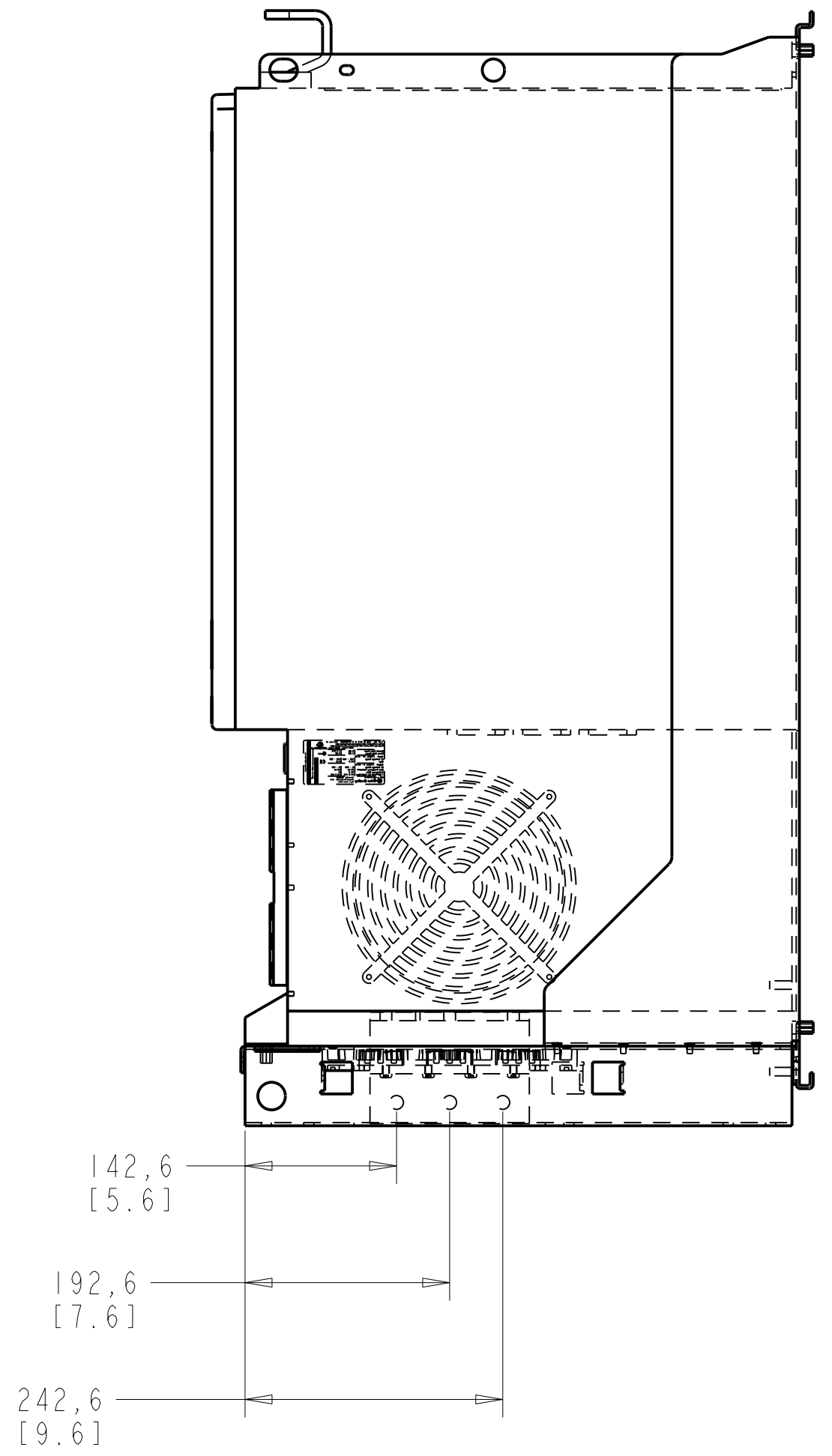
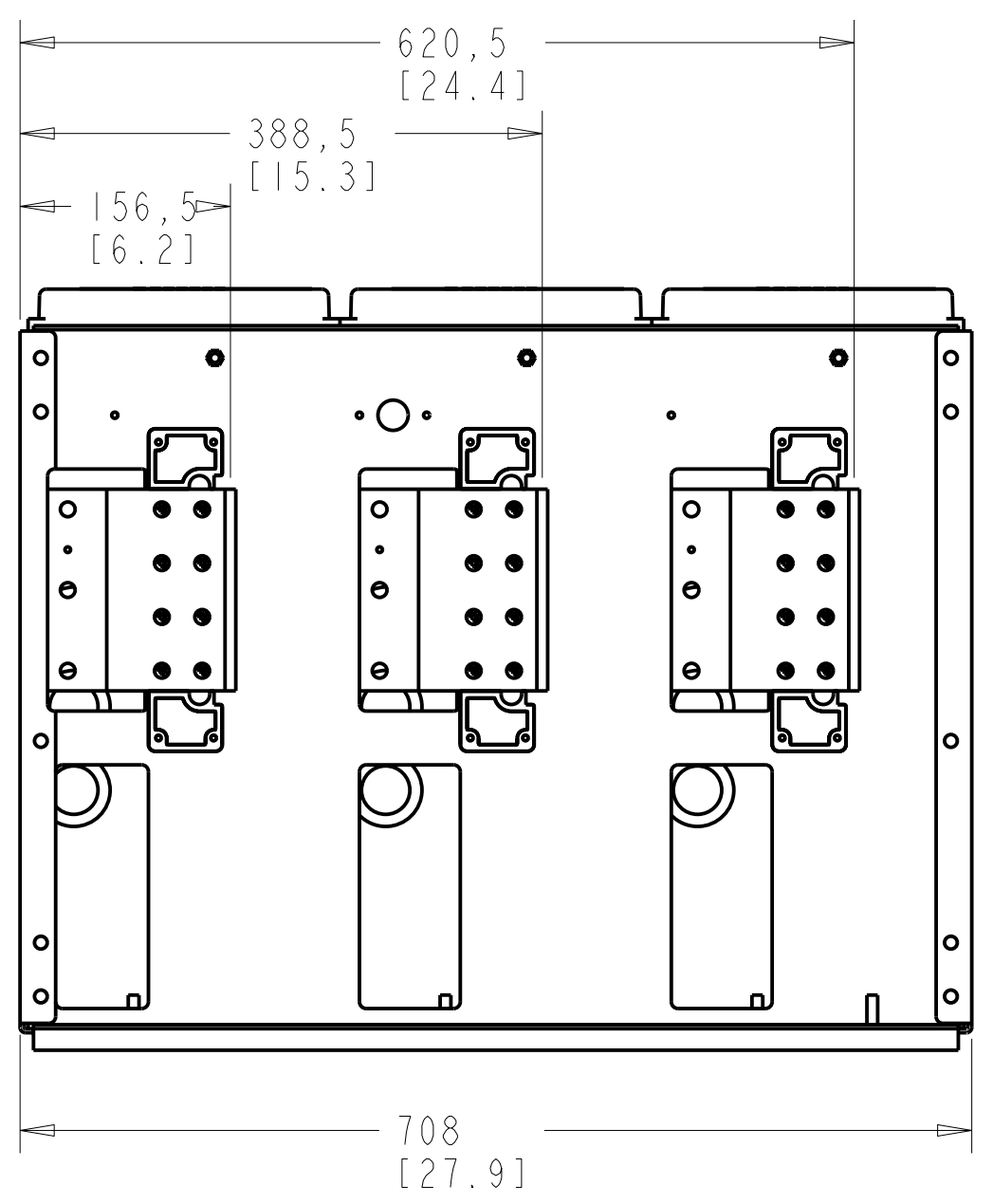
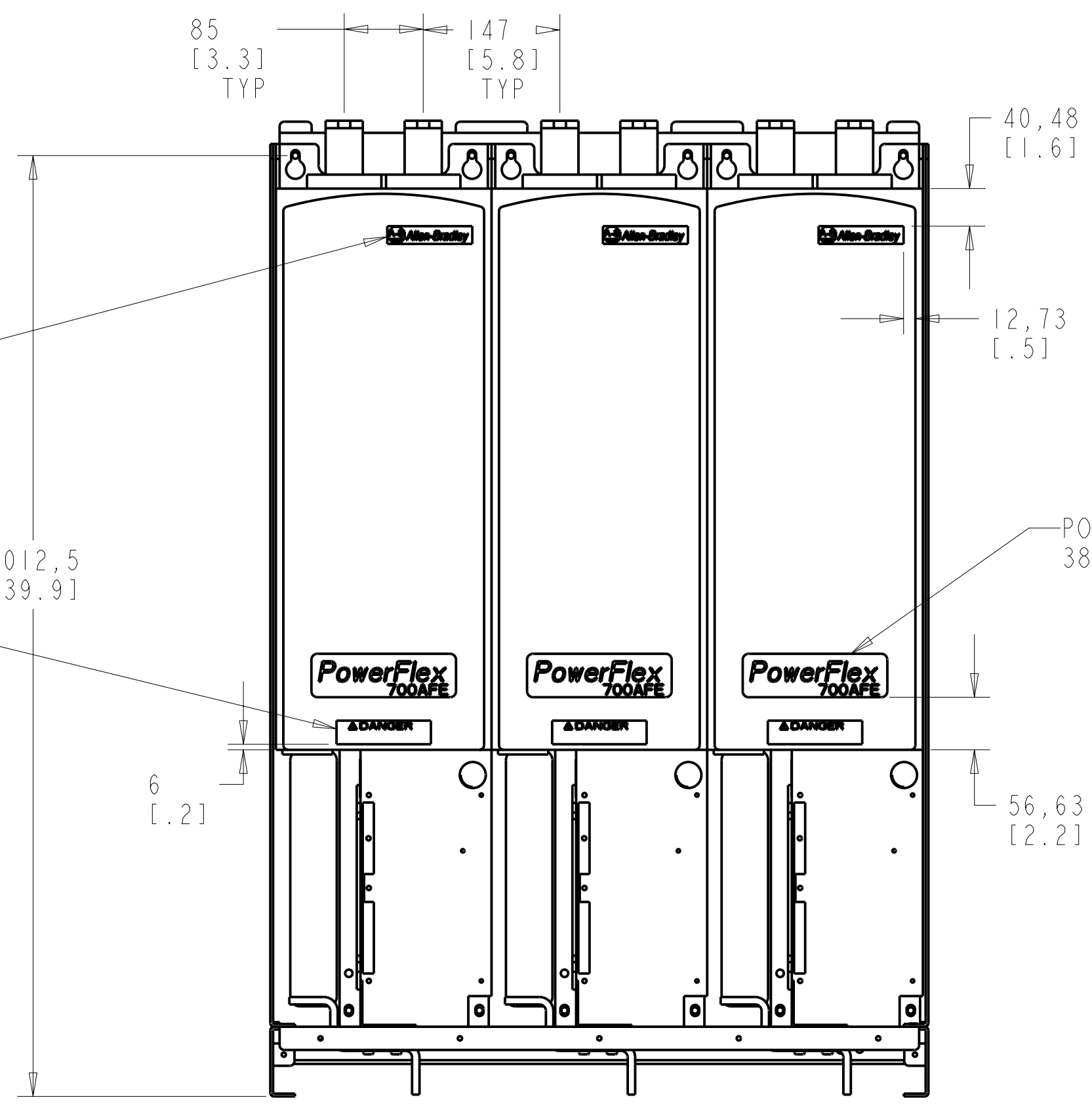


INTERNAL NAMEPLATE
PRINT PER ROCKWELL DRAWING
A-B P/N 318209-12

WARNING LABEL
REFERENCE A-B P/N
74103-054-01

LOCATION IN VENDOR
SERIAL NUMBER

DETAAIL INU

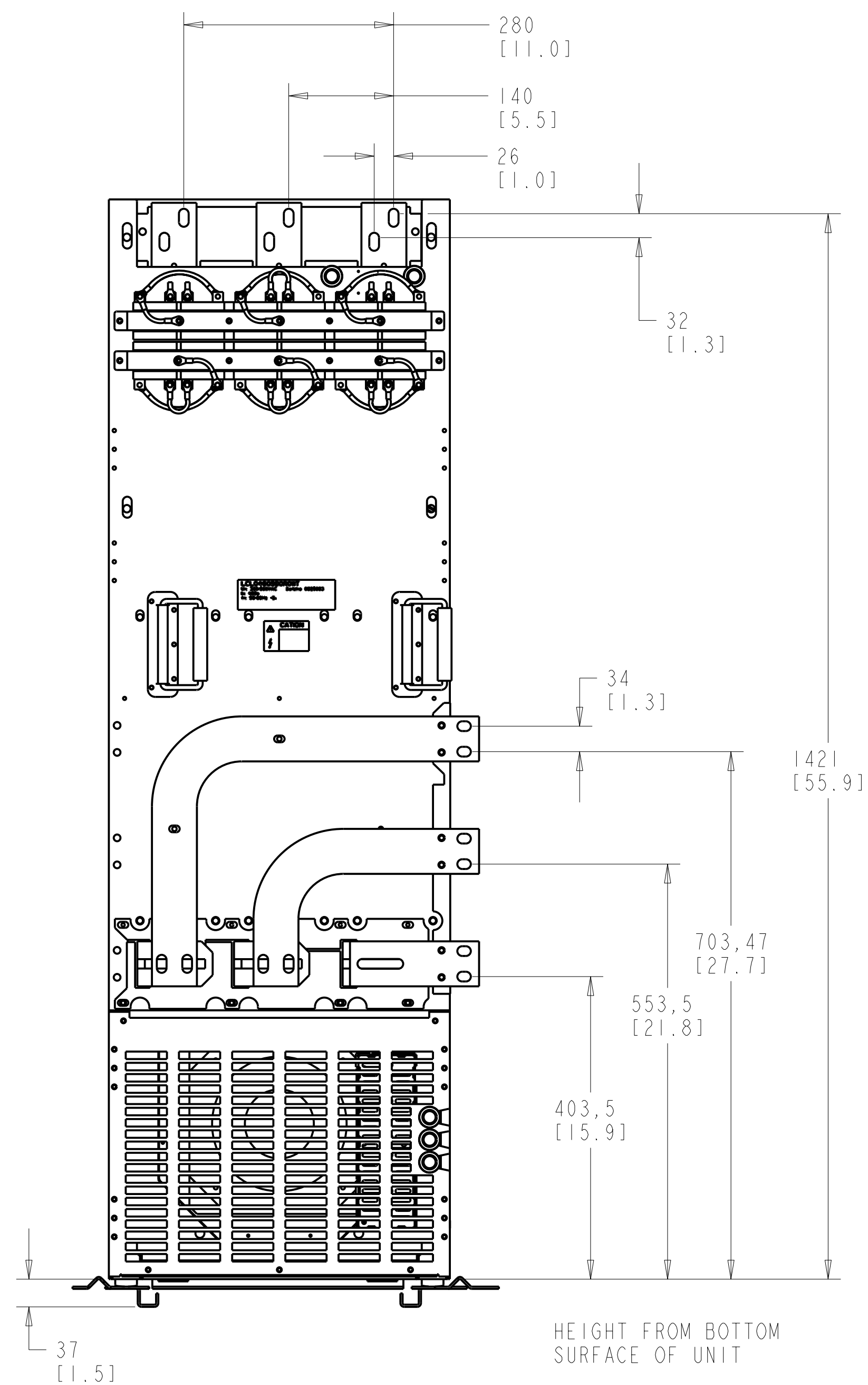
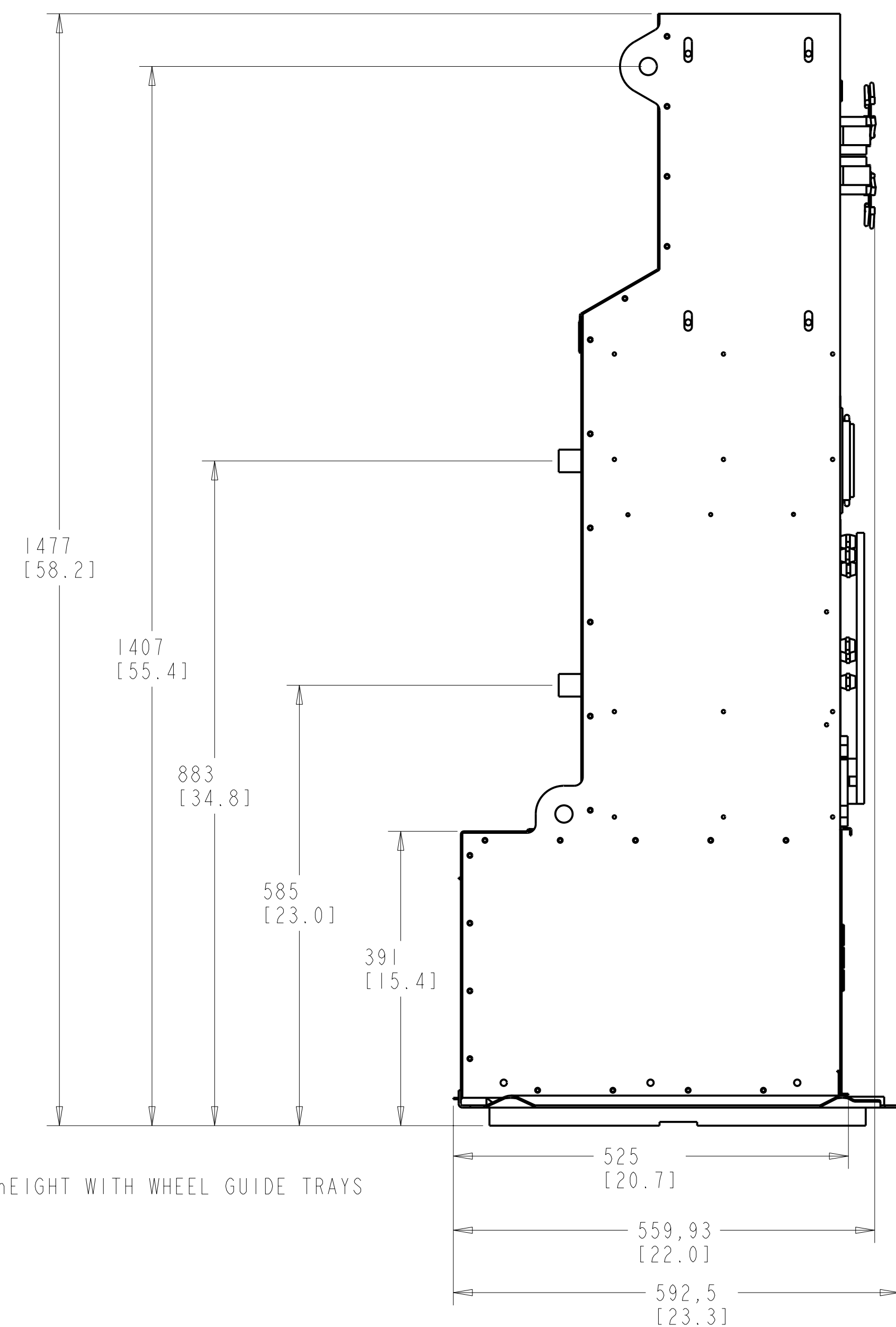


PARTS MUST CONFORM TO
APPLICABLE ROCKWELL AUTOMATION
MANUFACTURING STANDARDS

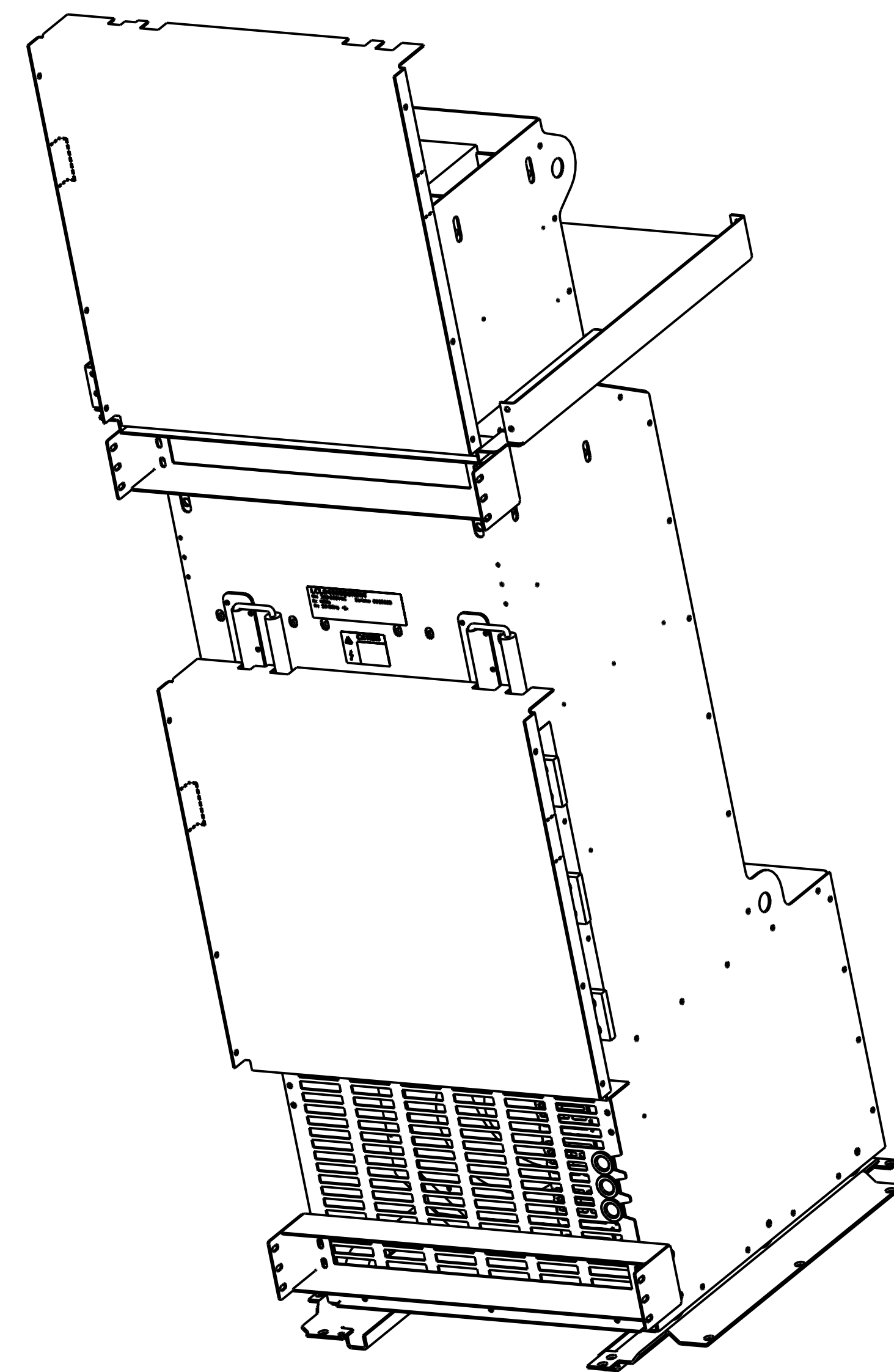
CAD DOCUMENT

FILE NAME 388828-6

REFERENCES		OUTLINE DRAWING PF700AFE FRAME 13			CONFIDENTIAL AND PROPRIETARY INFORMATION THIS DOCUMENT CONTAINS CONFIDENTIAL AND PROPRIETARY INFORMATION OF ROCKWELL AUTOMATION, INC. AND MAY NOT BE USED, COPIED OR DISCLOSED TO OTHERS, EXCEPT WITH THE AUTHORIZED WRITTEN PERMISSION OF ROCKWELL AUTOMATION, INC.
REVISION AUTHORIZATION	DIMENSIONS APPLY BEFORE SURFACE TREATMENT DIMENSIONS IN MILLIMETERS				
	TOLERANCES UNLESS OTHERWISE SPECIFIED				
	.X:±	DR.	DLE	DATE	08-19-08
02	2/27/09	CHKD.		DATE	
01	1033002	APPD.		DATE	
	ANGLES:±				
					DWG. SIZE D
					388828-6



DETAIL LCL FILTER



LCL FILTER 1300
SHOWN WITH GUARDS IN PLACE.

PARTS MUST CONFORM TO
APPLICABLE ROCKWELL AUTOMATION
MANUFACTURING STANDARDS

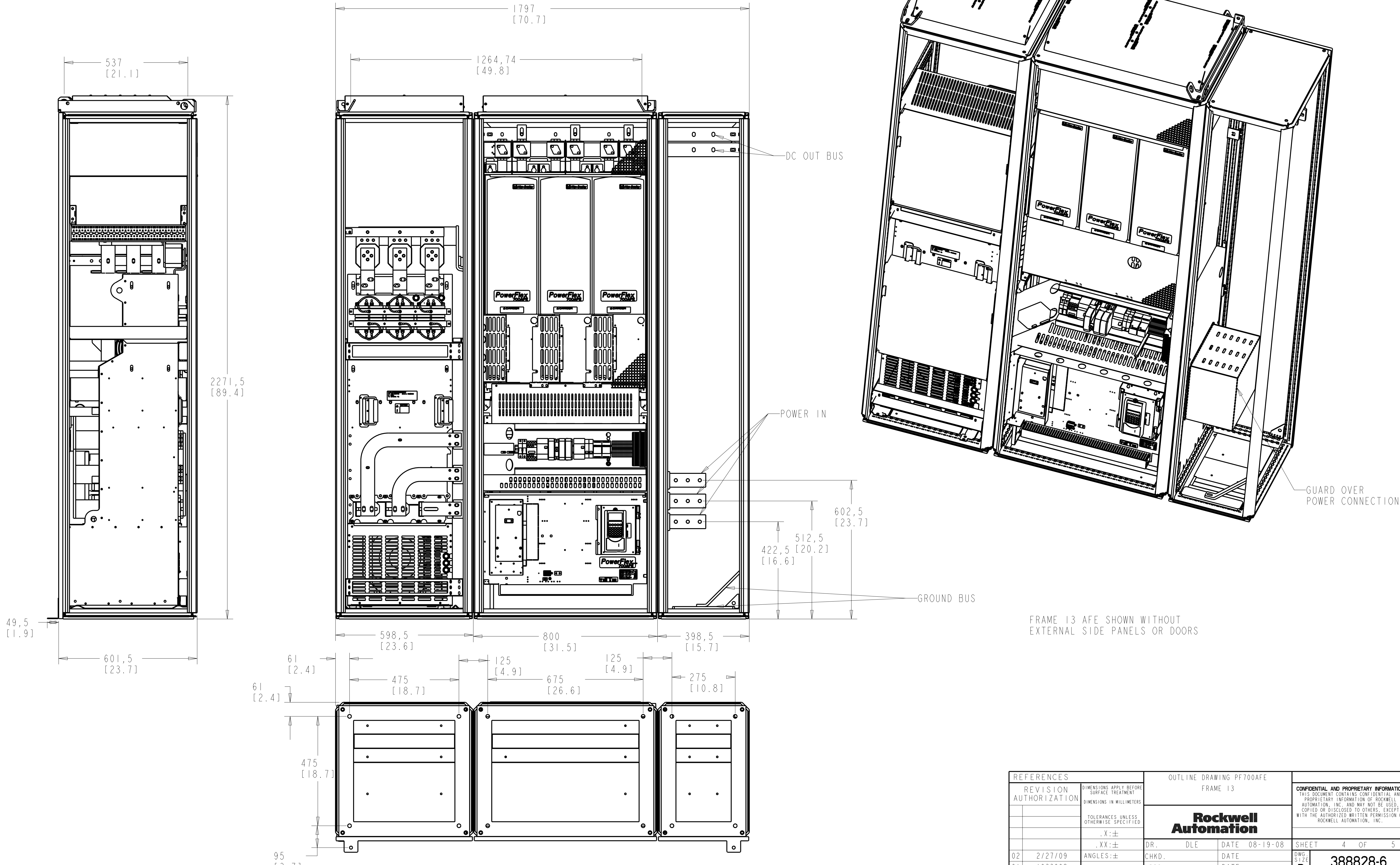
CAD DOCUMENT

FILE NAME 388828-6

REFERENCES		DIMENSIONS APPLY BEFORE SURFACE TREATMENT DIMENSIONS IN MILLIMETERS		OUTLINE DRAWING PF700AFE FRAME 13		CONFIDENTIAL AND PROPRIETARY INFORMATION THIS DOCUMENT CONTAINS CONFIDENTIAL AND PROPRIETARY INFORMATION OF ROCKWELL AUTOMATION, INC. AND MAY NOT BE USED, COPIED OR DISCLOSED TO OTHERS, EXCEPT WITH THE AUTHORIZED WRITTEN PERMISSION OF ROCKWELL AUTOMATION, INC.	
REVISION AUTHORIZATION		TOLERANCES UNLESS OTHERWISE SPECIFIED		Rockwell Automation DR. DLE DATE 08-19-08 CHKD. DATE APPD. DATE		SHEET 3 OF 5	
		.X:±				DWG. SIZE	
02	2/27/09	.XX:±		DATE		388828-6	
01	1033002	ANGLES:±		DATE		D	

1 2 3 4 5 6 7 8

A
B
C
D
E
F
G
H



FRAME 13 AFE SHOWN WITHOUT EXTERNAL SIDE PANELS OR DOORS

PARTS MUST CONFORM TO APPLICABLE ROCKWELL AUTOMATION MANUFACTURING STANDARDS

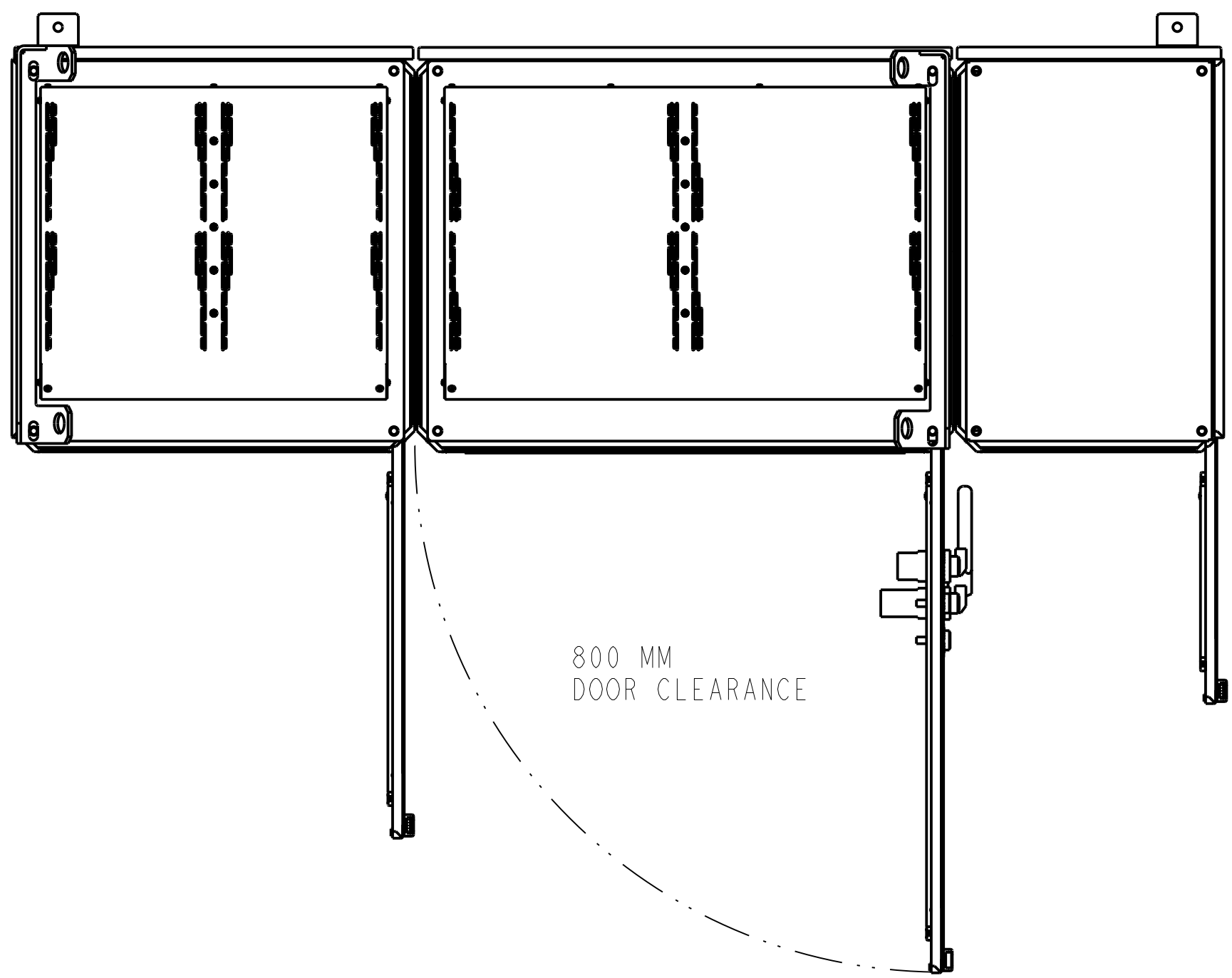
CAD DOCUMENT

FILE NAME: 388828-6

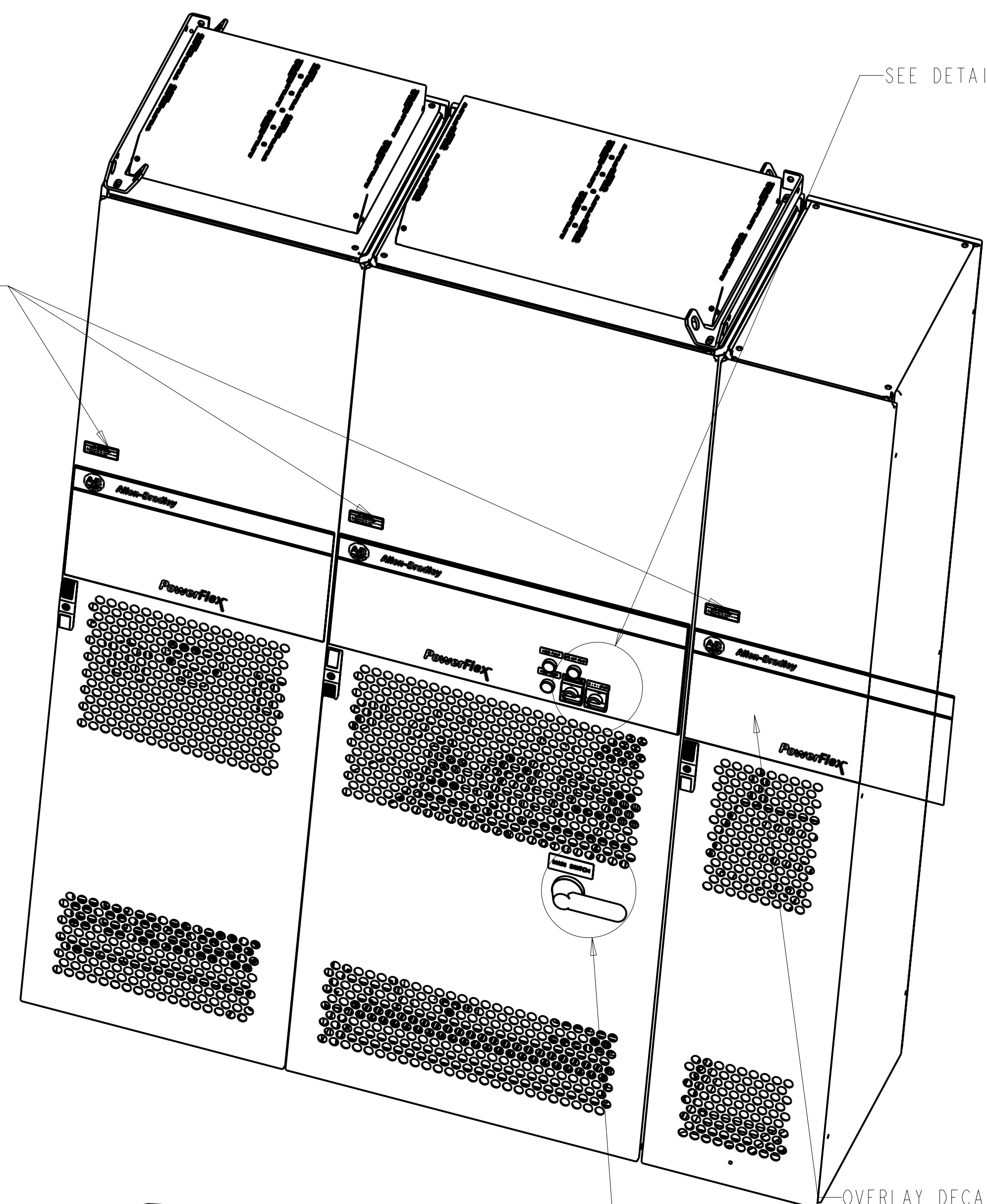
REFERENCES		OUTLINE DRAWING PF700AFE		CONFIDENTIAL AND PROPRIETARY INFORMATION	
REVISION AUTHORIZATION		FRAME 13		THIS DOCUMENT CONTAINS CONFIDENTIAL AND PROPRIETARY INFORMATION OF ROCKWELL AUTOMATION, INC. AND MAY NOT BE USED, COPIED OR DISCLOSED TO OTHERS, EXCEPT WITH THE AUTHORIZED WRITTEN PERMISSION OF ROCKWELL AUTOMATION, INC.	
DIMENSIONS APPLY BEFORE SURFACE TREATMENT		Rockwell Automation		DR. DLE DATE 08-19-08 SHEET 4 OF 5	
DIMENSIONS IN MILLIMETERS				DATE	
TOLERANCES UNLESS OTHERWISE SPECIFIED		APPD. DATE		DWG. SIZE	
.X:±				D	
.XX:±				388828-6	
ANGLES:±					
02	2/27/09				
01	1033002				

1 2 3 4 5 6 7 8

A
B
C
D
E
F
G
H

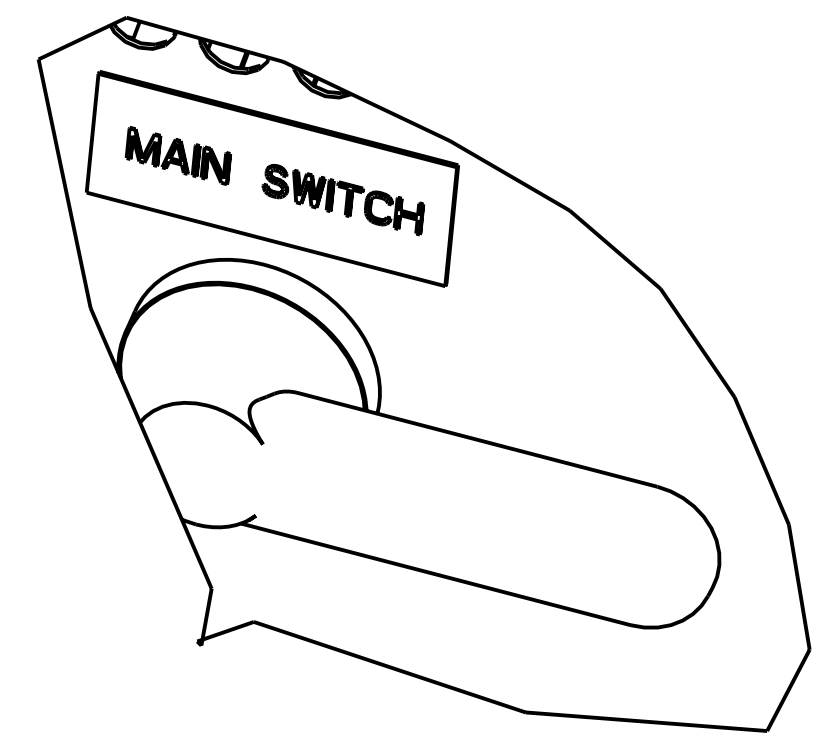
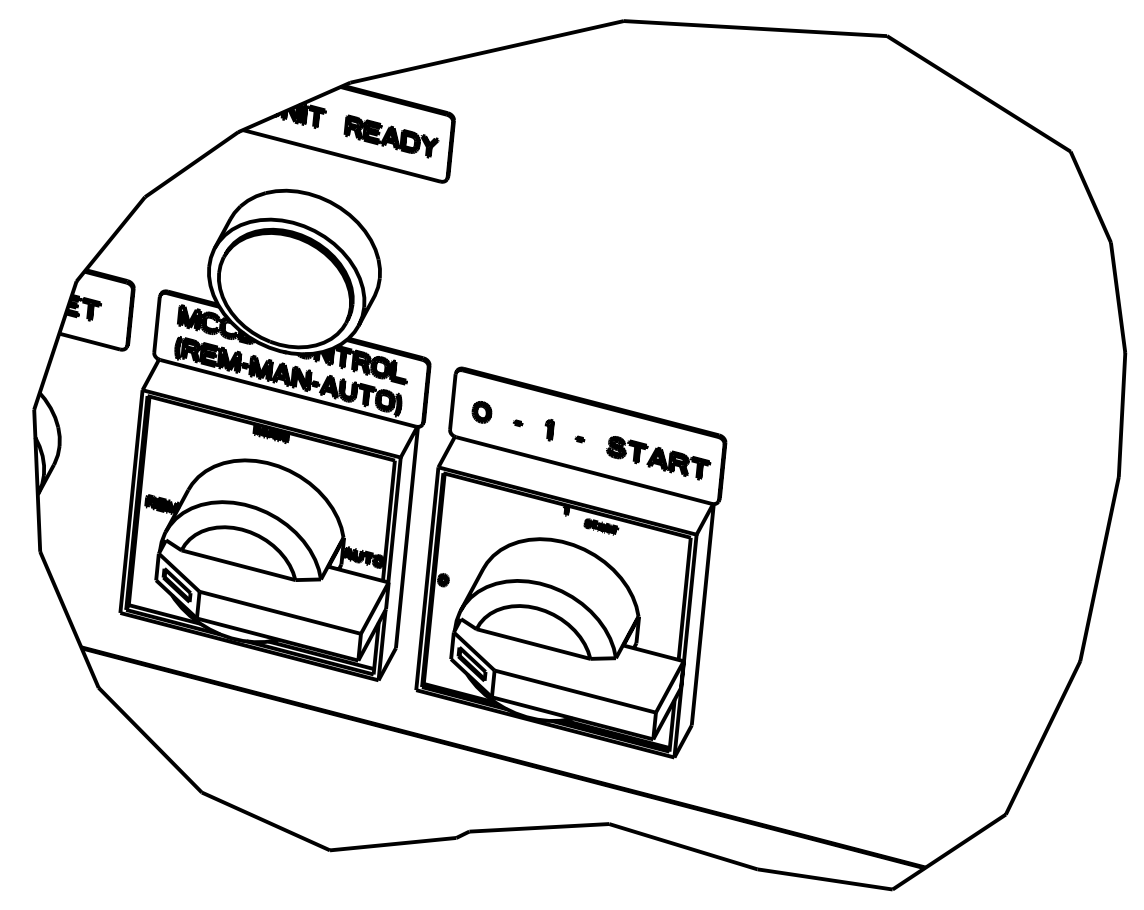
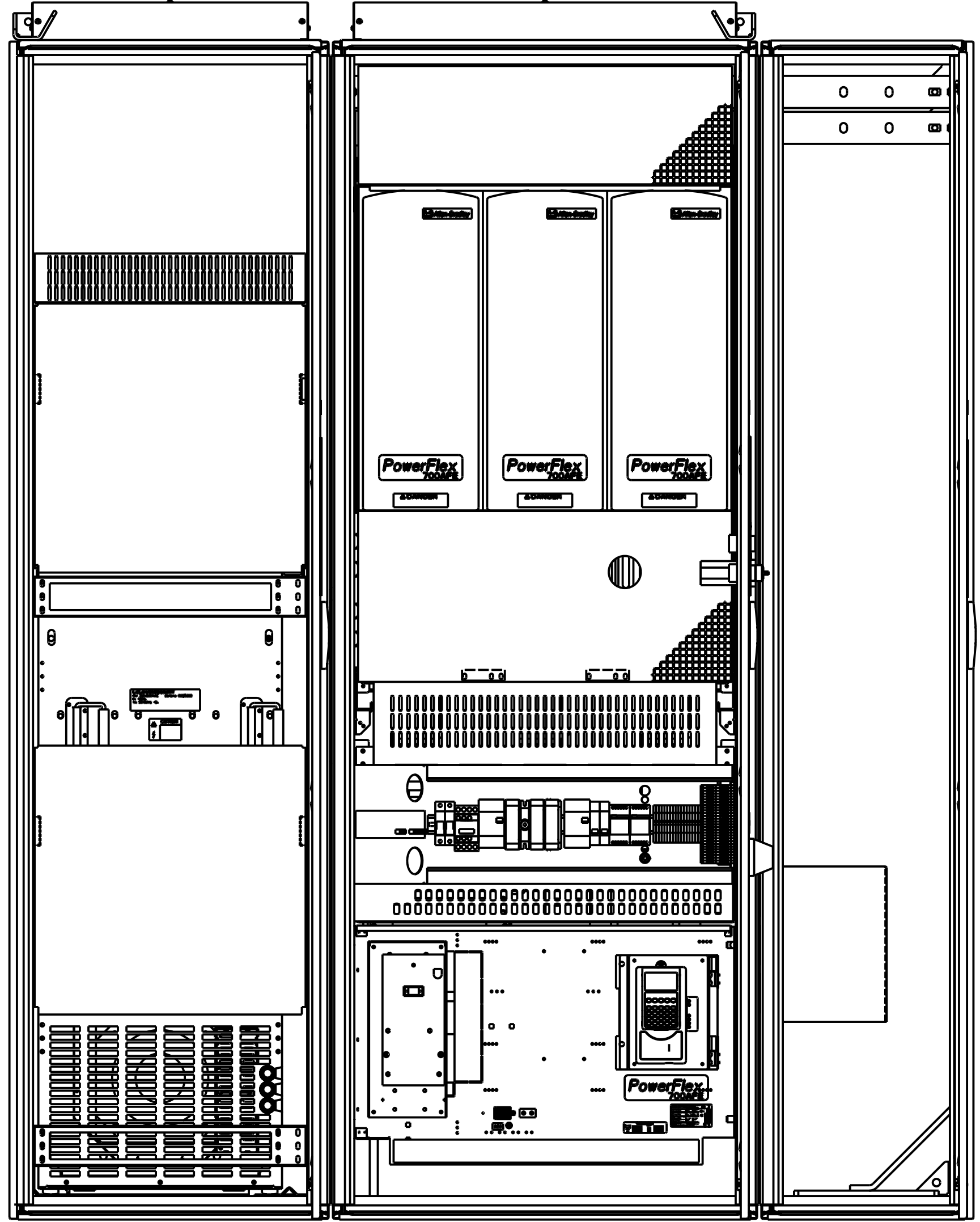
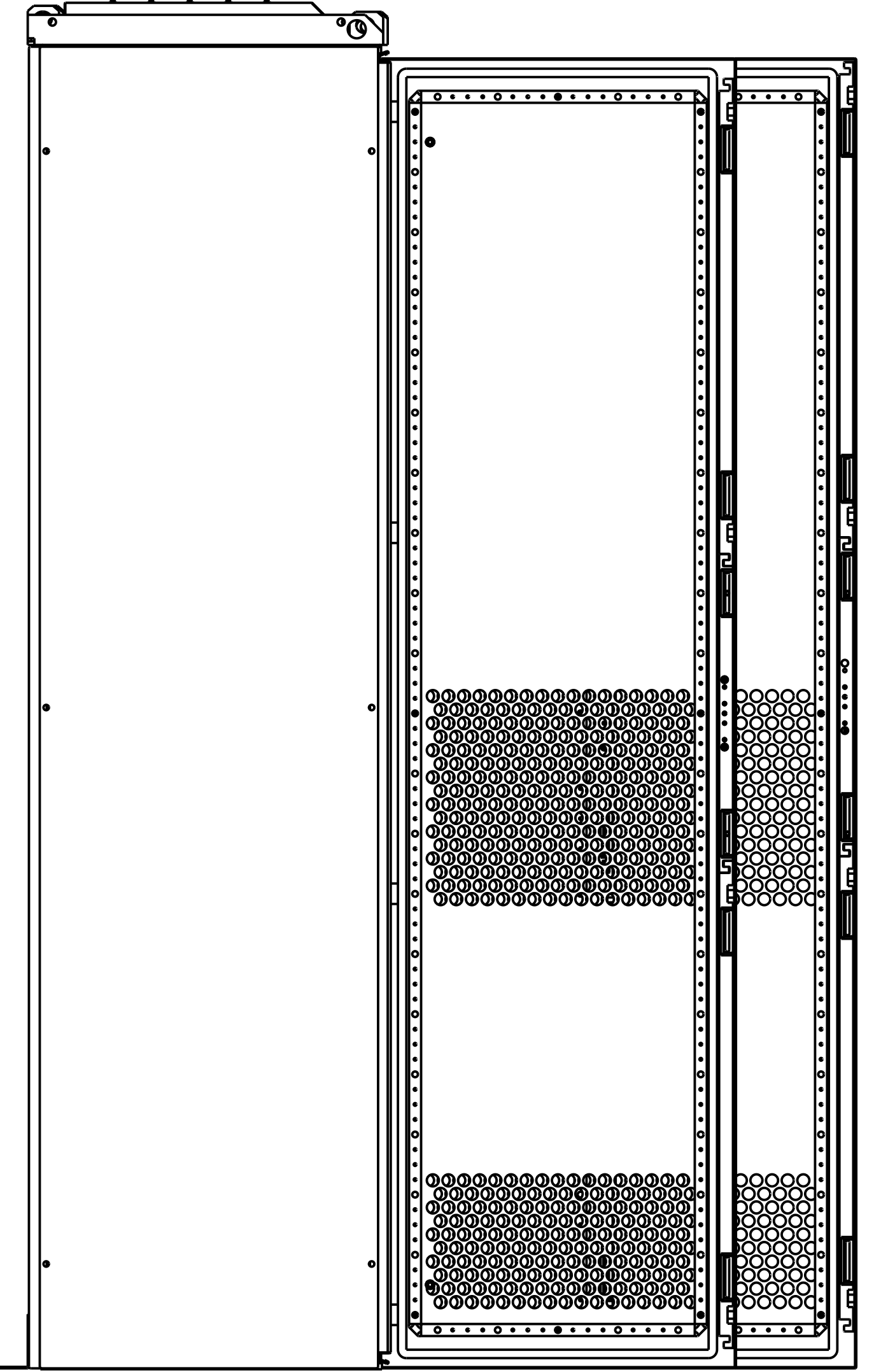


WARNING LABEL
AB P/N 156942
AS SHOWN



OVERLAY DECAL AB P/N
310426 CUT TO SIZE
IS APPLIED TO EXTERNAL
SURFACE OF DOOR AS SHOWN

SEE DETAIL B



PARTS MUST CONFORM TO
APPLICABLE ROCKWELL AUTOMATION
MANUFACTURING STANDARDS

CAD DOCUMENT

FILE NAME 388828-6

REFERENCES		OUTLINE DRAWING PF700AFE		CONFIDENTIAL AND PROPRIETARY INFORMATION	
REVISION AUTHORIZATION		FRAME 13		THIS DOCUMENT CONTAINS CONFIDENTIAL AND PROPRIETARY INFORMATION OF ROCKWELL AUTOMATION, INC. AND MAY NOT BE USED, COPIED OR DISCLOSED TO OTHERS, EXCEPT WITH THE AUTHORIZED WRITTEN PERMISSION OF ROCKWELL AUTOMATION, INC.	
DIMENSIONS APPLY BEFORE SURFACE TREATMENT		TOLERANCES UNLESS OTHERWISE SPECIFIED		Rockwell Automation	
DIMENSIONS IN MILLIMETERS		.X:±		DR. DLE DATE 08-19-08 SHEET 5 OF 5	
.XX:±		.XX:±		DWG. DATE	
ANGLES:±		APPD.		DATE	
02	2/27/09	1033002		D 388828-6	