

DETAIL CONTROL BOX AND OPTION CARD SLOTS

DETAIL CONTROL PAN ASSY.

PARTS MUST CONFORM TO APPLICABLE ROCKWELL AUTOMATION MANUFACTURING STANDARDS

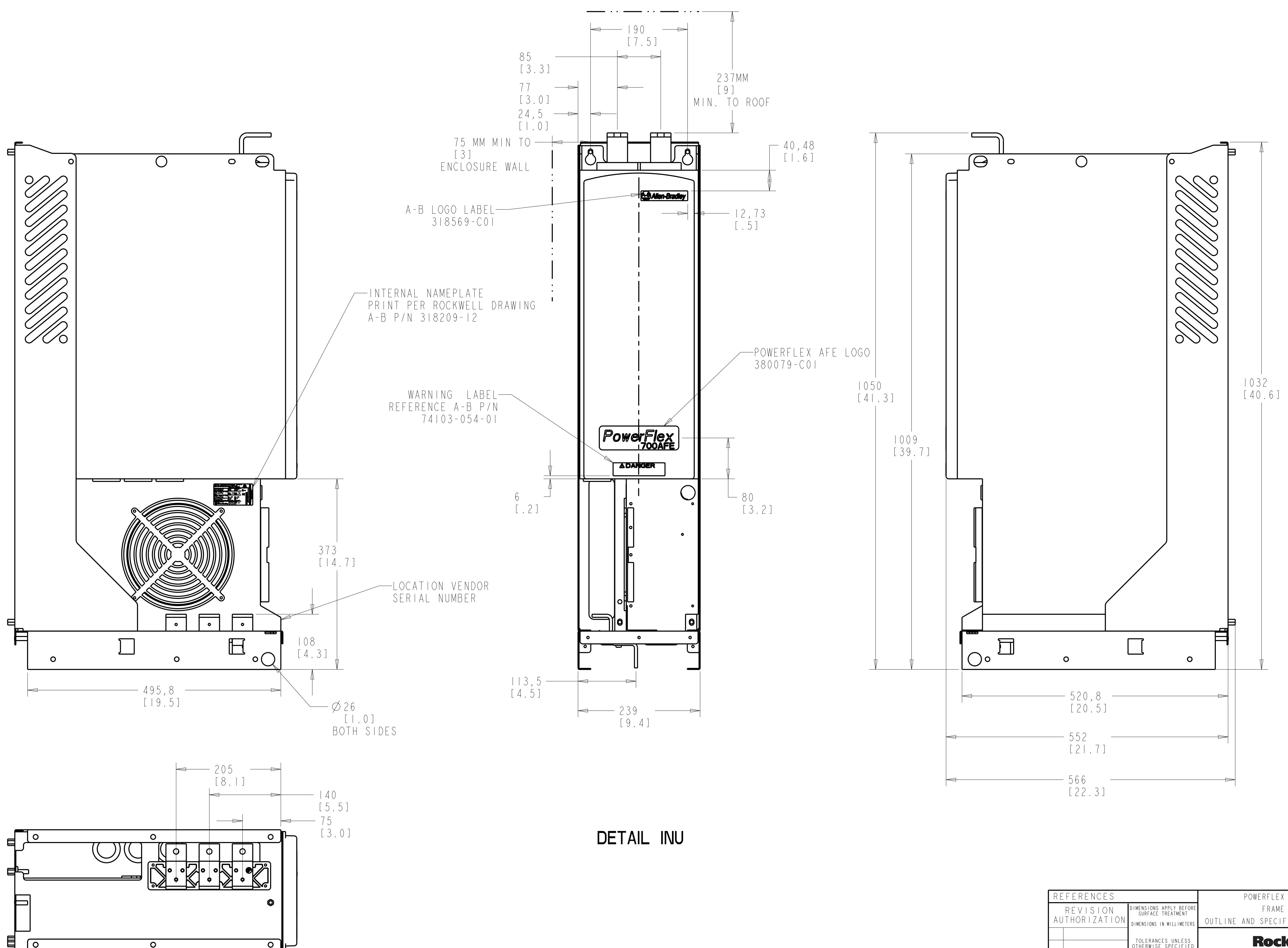
CAD DOCUMENT

FILE NAME 379188-6

REFERENCES		POWERFLEX 700AFE		CONFIDENTIAL AND PROPRIETARY INFORMATION	
REVISION AUTHORIZATION		FRAME 10		THIS DOCUMENT CONTAINS CONFIDENTIAL AND PROPRIETARY INFORMATION OF ROCKWELL AUTOMATION, INC. AND MAY NOT BE USED, COPIED OR DISCLOSED TO OTHERS, EXCEPT WITH THE AUTHORIZED WRITTEN PERMISSION OF ROCKWELL AUTOMATION, INC.	
		OUTLINE AND SPECIFICATION DRAWING			
		<b>Rockwell Automation</b>		SHEET 1 OF 5	
				Dwg. Size D 379188-6	
02	1033002	ANGLES:±	DR. DLE	DATE 03-03-08	
01	1031954	DLE 8/15/08	CHKD.	DATE	
			APPD.	DATE	

1 2 3 4 5 6 7 8

A  
B  
C  
D  
E  
F  
G  
H



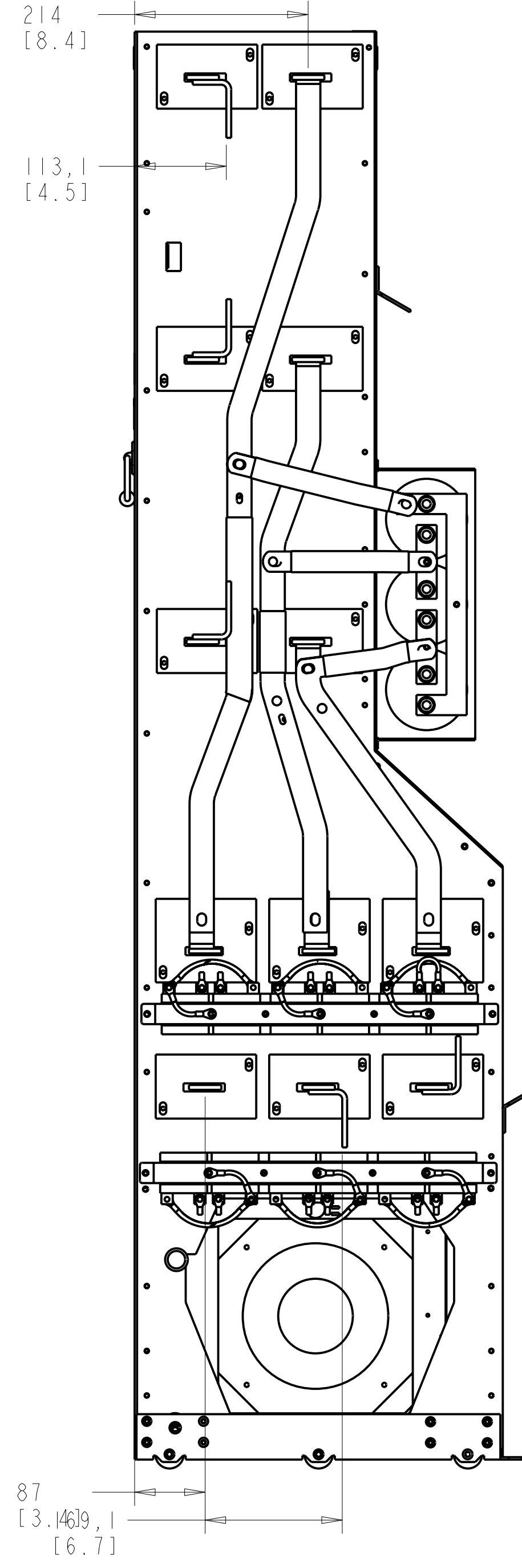
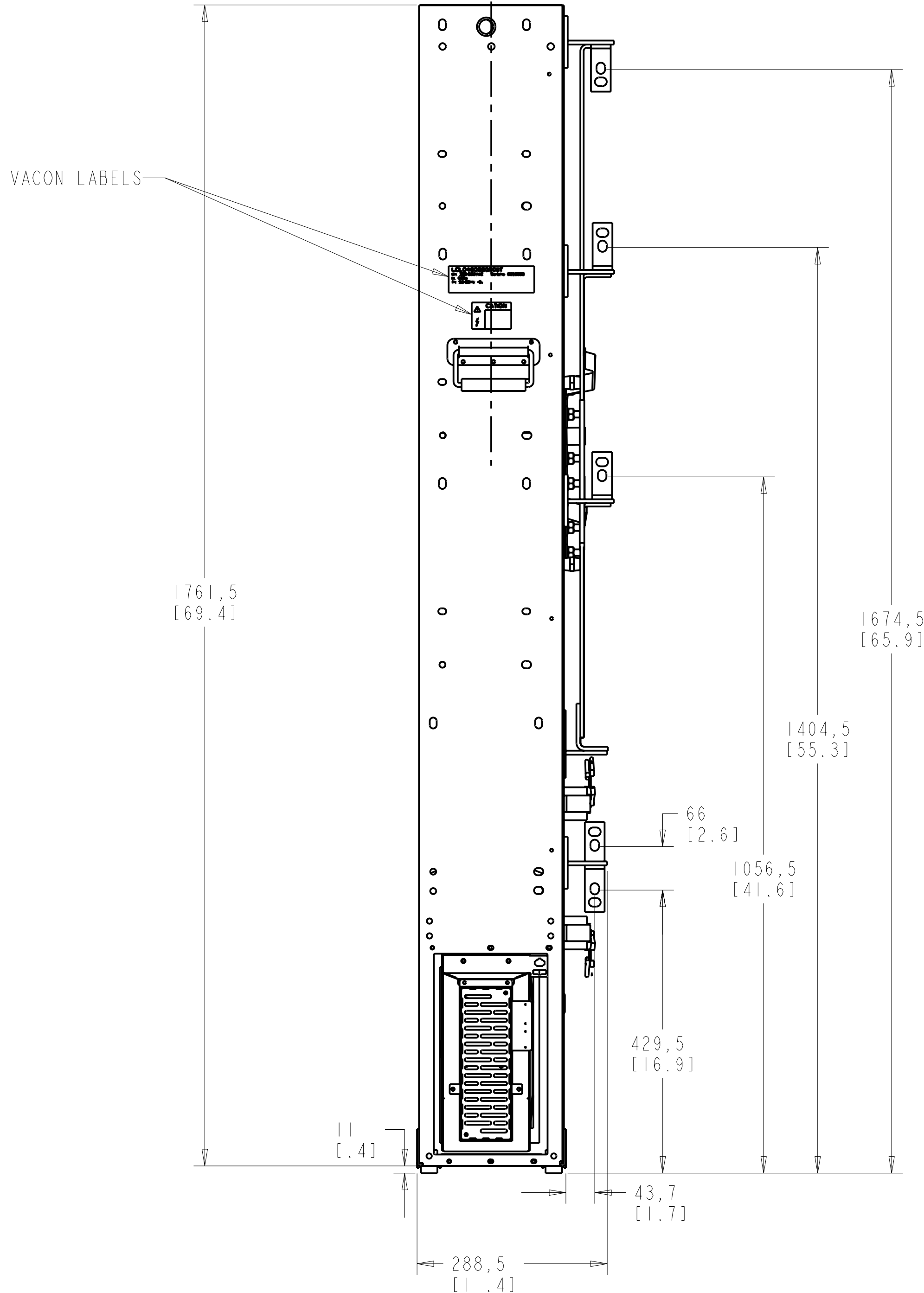
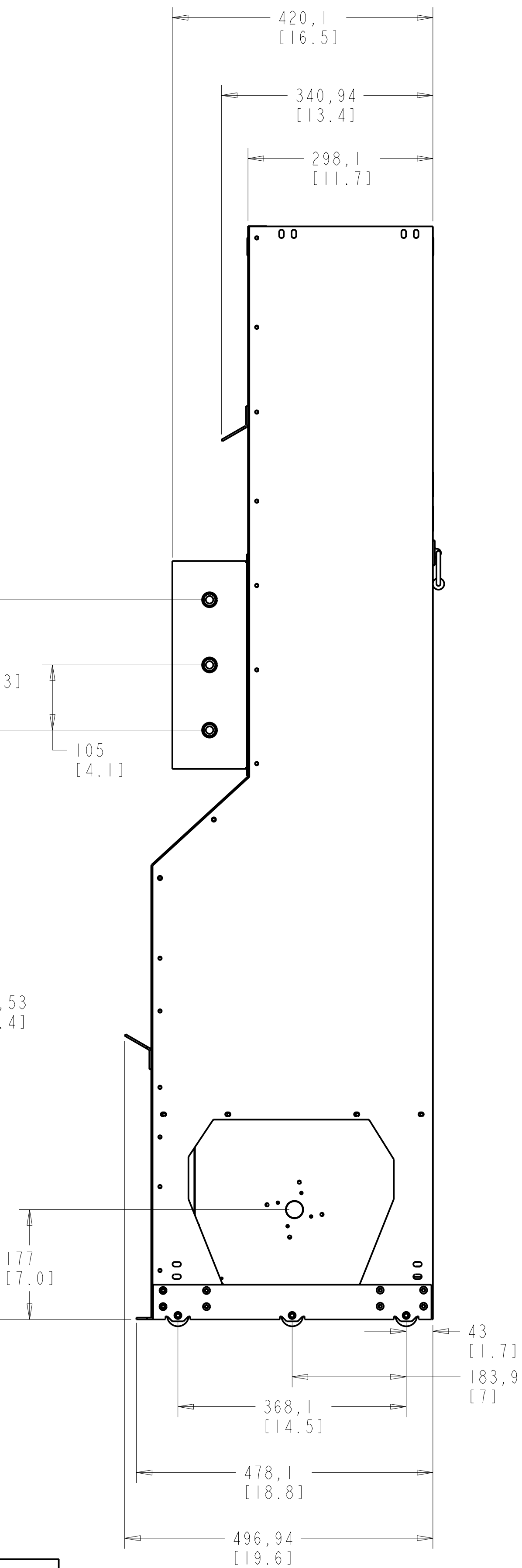
DETAIL INU

PARTS MUST CONFORM TO APPLICABLE ROCKWELL AUTOMATION MANUFACTURING STANDARDS

**CAD DOCUMENT**

FILE NAME 379188-6

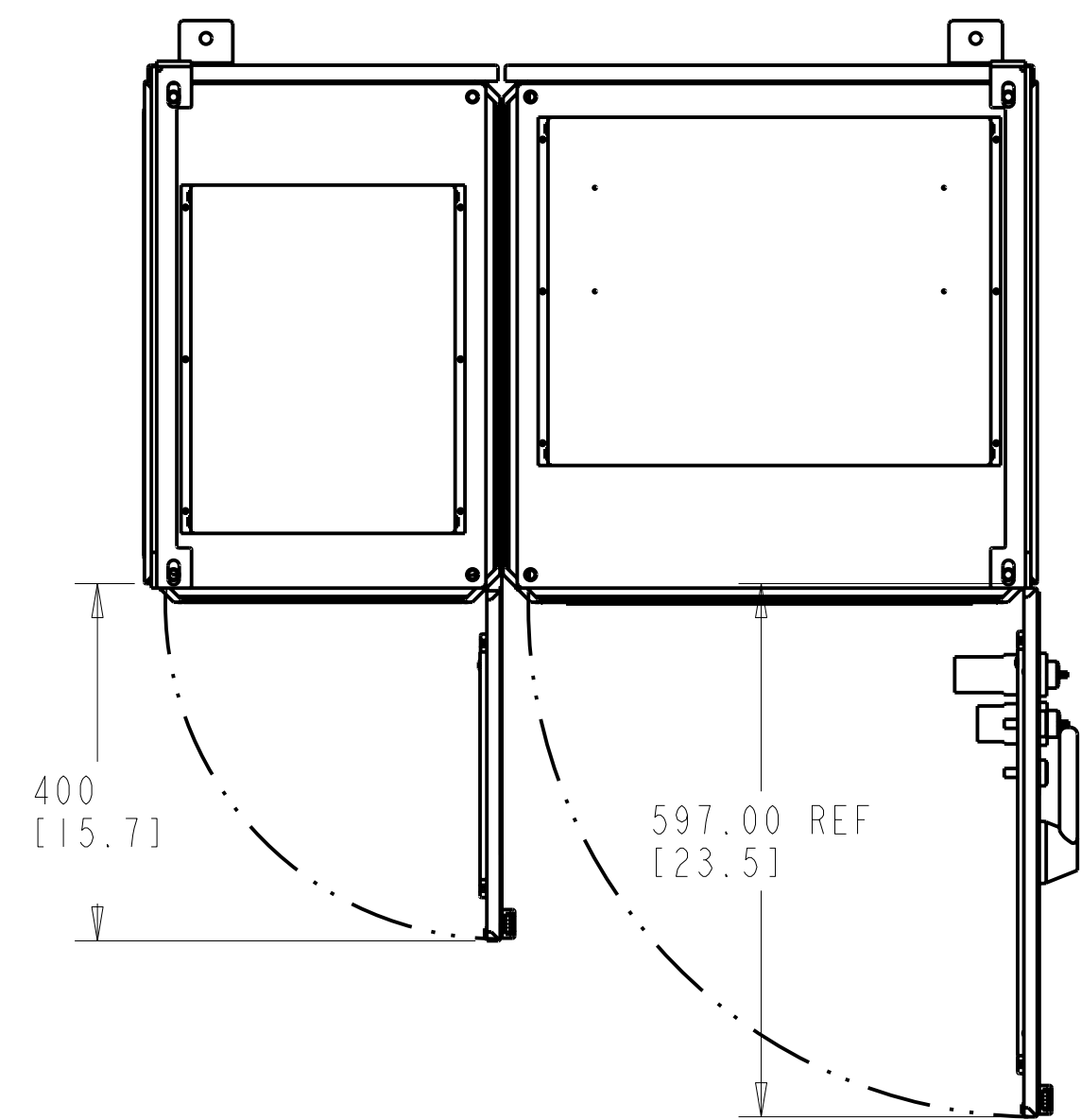
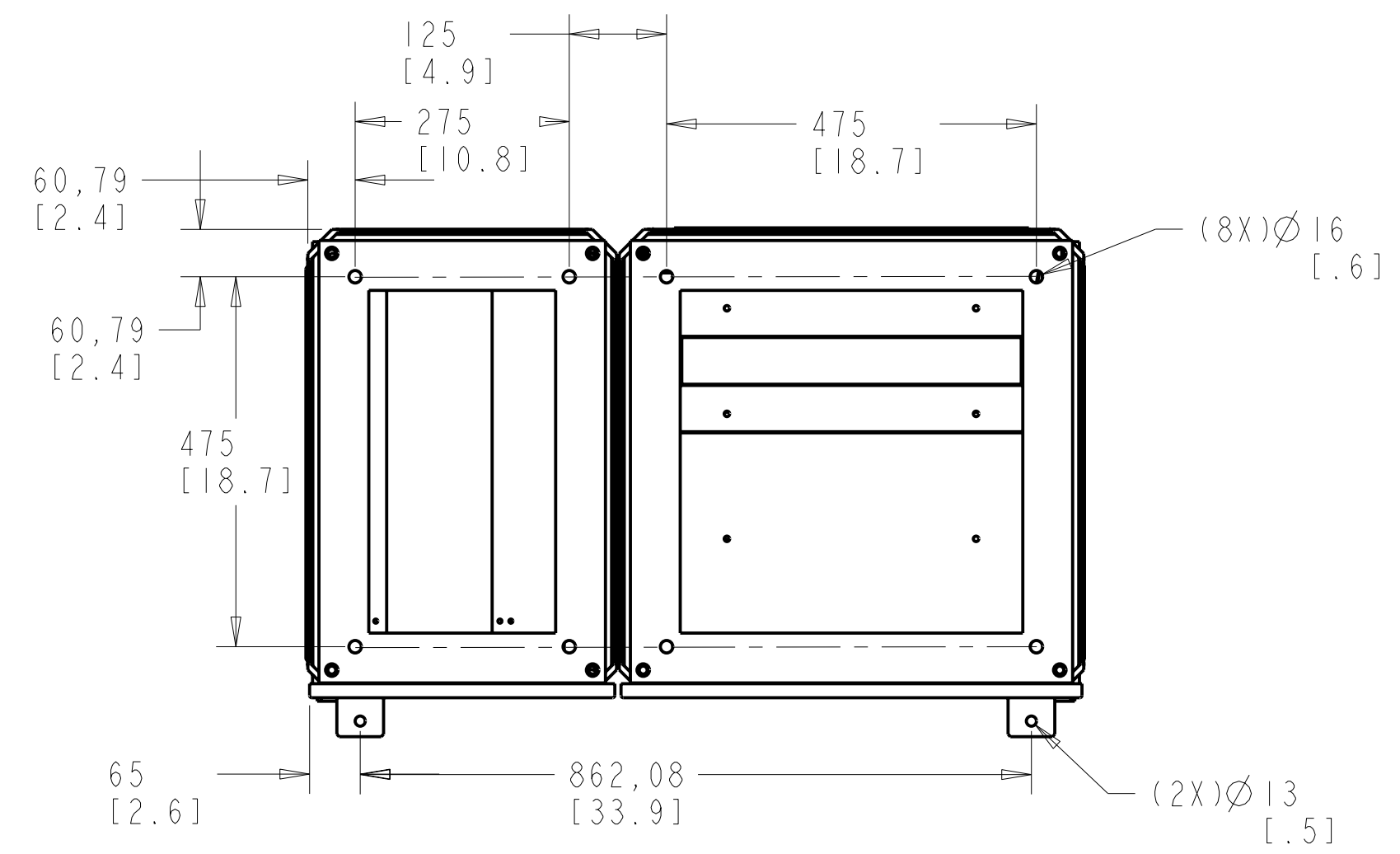
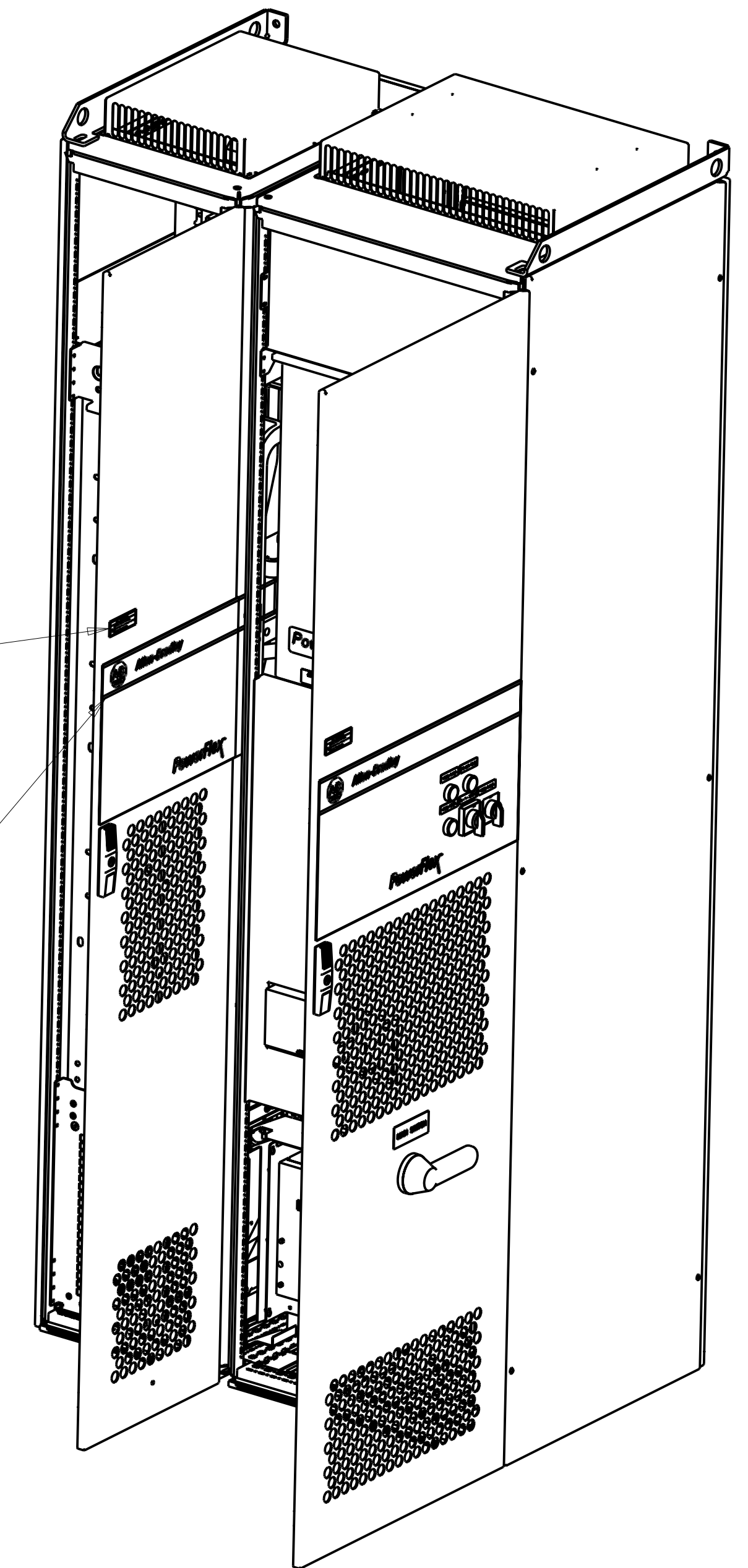
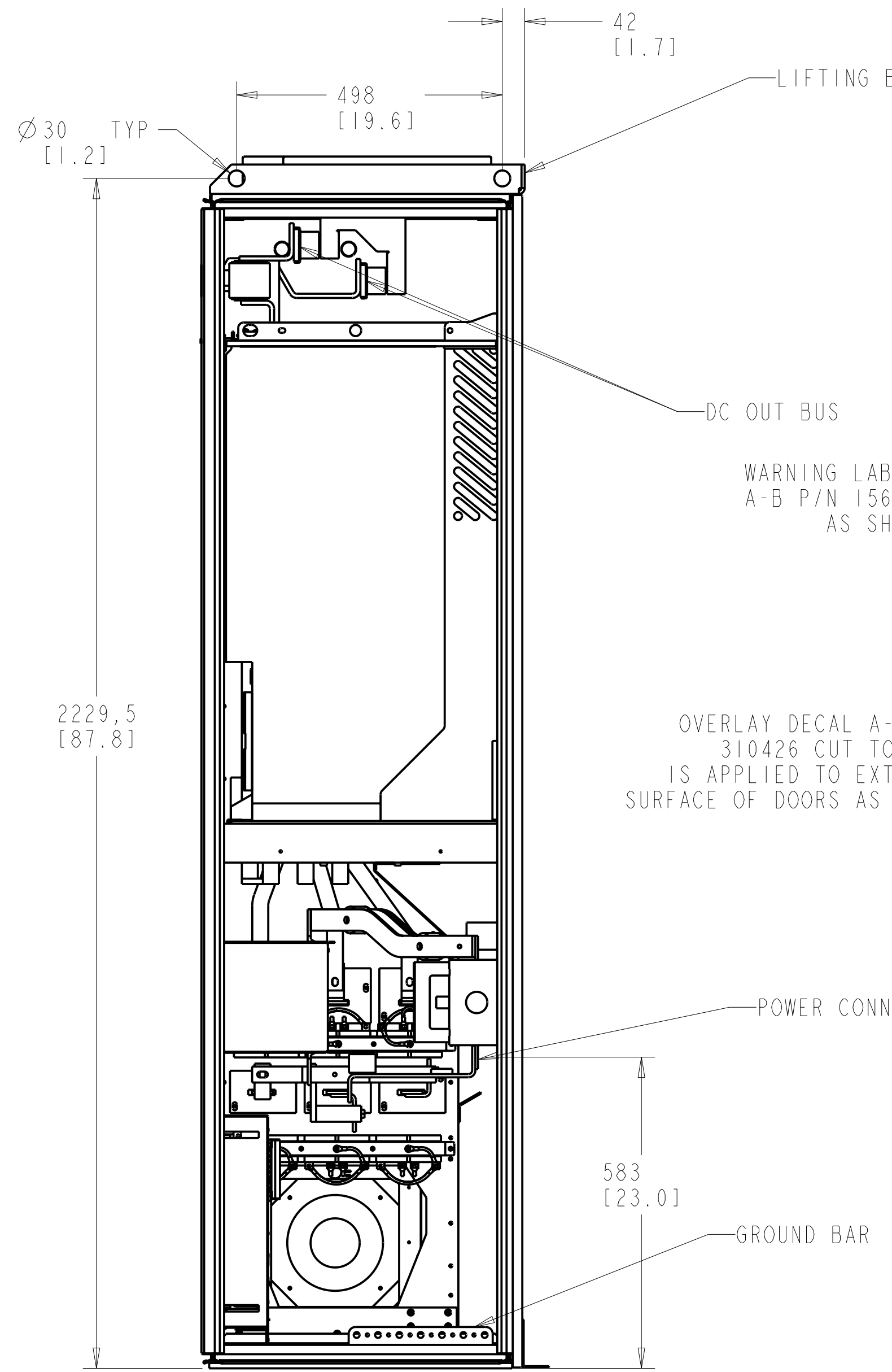
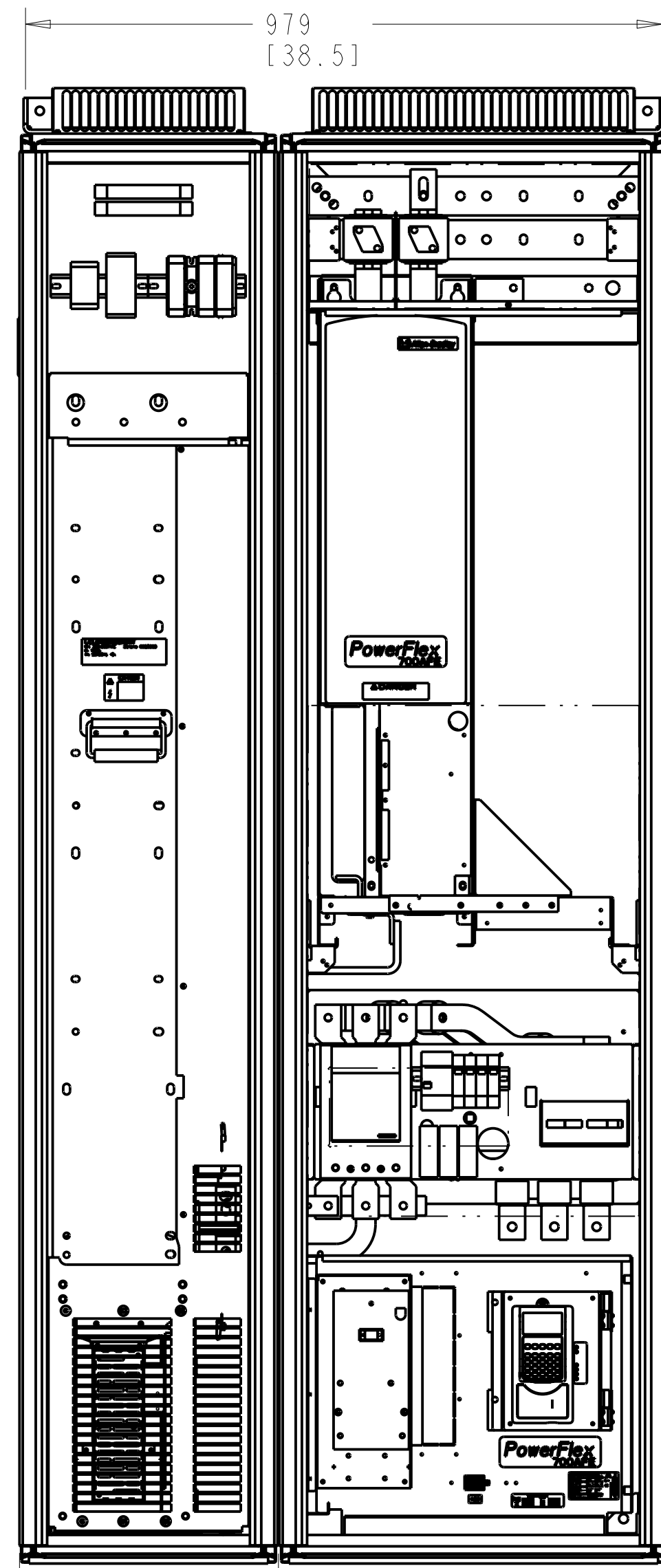
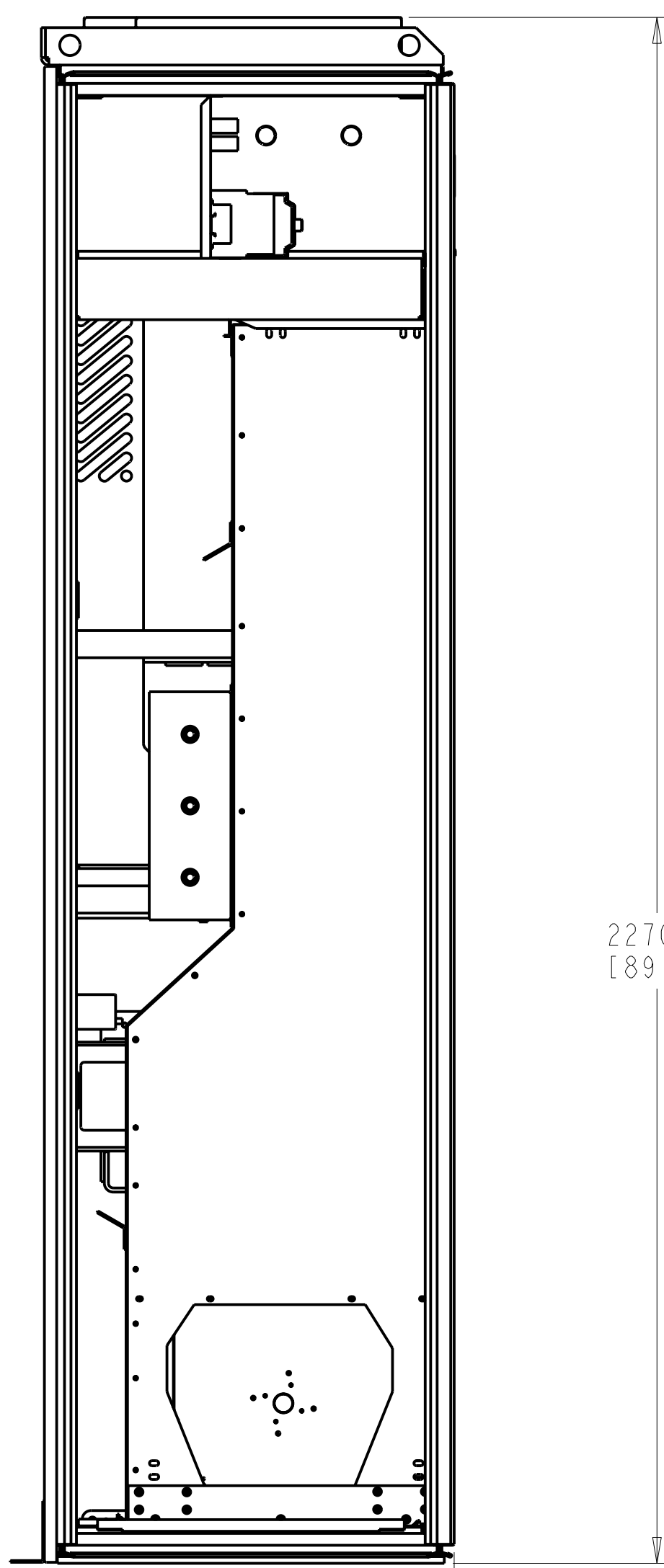
REFERENCES		POWERFLEX 700AFE			CONFIDENTIAL AND PROPRIETARY INFORMATION THIS DOCUMENT CONTAINS CONFIDENTIAL AND PROPRIETARY INFORMATION OF ROCKWELL AUTOMATION, INC. AND MAY NOT BE USED, COPIED OR DISCLOSED TO OTHERS, EXCEPT WITH THE AUTHORIZED WRITTEN PERMISSION OF ROCKWELL AUTOMATION, INC.
REVISION AUTHORIZATION	DIMENSIONS APPLY BEFORE SURFACE TREATMENT DIMENSIONS IN MILLIMETERS	FRAME 10 OUTLINE AND SPECIFICATION DRAWING			
	TOLERANCES UNLESS OTHERWISE SPECIFIED	<b>Rockwell Automation</b>			SHEET 2 OF 5
	.X:±				
	.XX:±	DR. DLE	DATE 03-03-08	DWG. SIZE D	379188-6
02	ANGLES:±	CHKD.	DATE		
01	DLE 8/15/08	APPD.	DATE		



DETAIL LCL FILTER

PARTS MUST CONFORM TO APPLICABLE ROCKWELL AUTOMATION MANUFACTURING STANDARDS  
**CAD DOCUMENT**  
 FILE NAME 379188-6

REFERENCES		POWERFLEX 700AFE		CONFIDENTIAL AND PROPRIETARY INFORMATION	
REVISION AUTHORIZATION		FRAME 10		THIS DOCUMENT CONTAINS CONFIDENTIAL AND PROPRIETARY INFORMATION OF ROCKWELL AUTOMATION, INC. AND MAY NOT BE USED, COPIED OR DISCLOSED TO OTHERS, EXCEPT WITH THE AUTHORIZED WRITTEN PERMISSION OF ROCKWELL AUTOMATION, INC.	
DIMENSIONS APPLY BEFORE SURFACE TREATMENT		OUTLINE AND SPECIFICATION DRAWING			
DIMENSIONS IN MILLIMETERS		<b>Rockwell Automation</b>			
TOLERANCES UNLESS OTHERWISE SPECIFIED		DR. DLE		DATE 03-03-08	
.X:±		CHKD.		DATE	
.XX:±		APPD.		DATE	
ANGLES:±		DLE 8/15/08		SHEET 3 OF 5	
DLE 8/15/08				DWG. SIZE D	
				379188-6	



PARTS MUST CONFORM TO APPLICABLE ROCKWELL AUTOMATION MANUFACTURING STANDARDS

CAD DOCUMENT

FILE NAME 379188-6

REFERENCES		POWERFLEX 700AFE			CONFIDENTIAL AND PROPRIETARY INFORMATION THIS DOCUMENT CONTAINS CONFIDENTIAL AND PROPRIETARY INFORMATION OF ROCKWELL AUTOMATION, INC. AND MAY NOT BE USED, COPIED OR DISCLOSED TO OTHERS, EXCEPT WITH THE AUTHORIZED WRITTEN PERMISSION OF ROCKWELL AUTOMATION, INC.
REVISION AUTHORIZATION	DIMENSIONS APPLY BEFORE SURFACE TREATMENT DIMENSIONS IN MILLIMETERS	FRAME 10	OUTLINE AND SPECIFICATION DRAWING		
	TOLERANCES UNLESS OTHERWISE SPECIFIED	<b>Rockwell Automation</b>			SHEET 4 OF 5
	.X:±				
02	ANGLES:±	DR. DLE	DATE 03-03-08		379188-6
01	DLE 8/15/08	CHKD.	DATE		

1

2

3

4

5

6

7

8

A

B

C

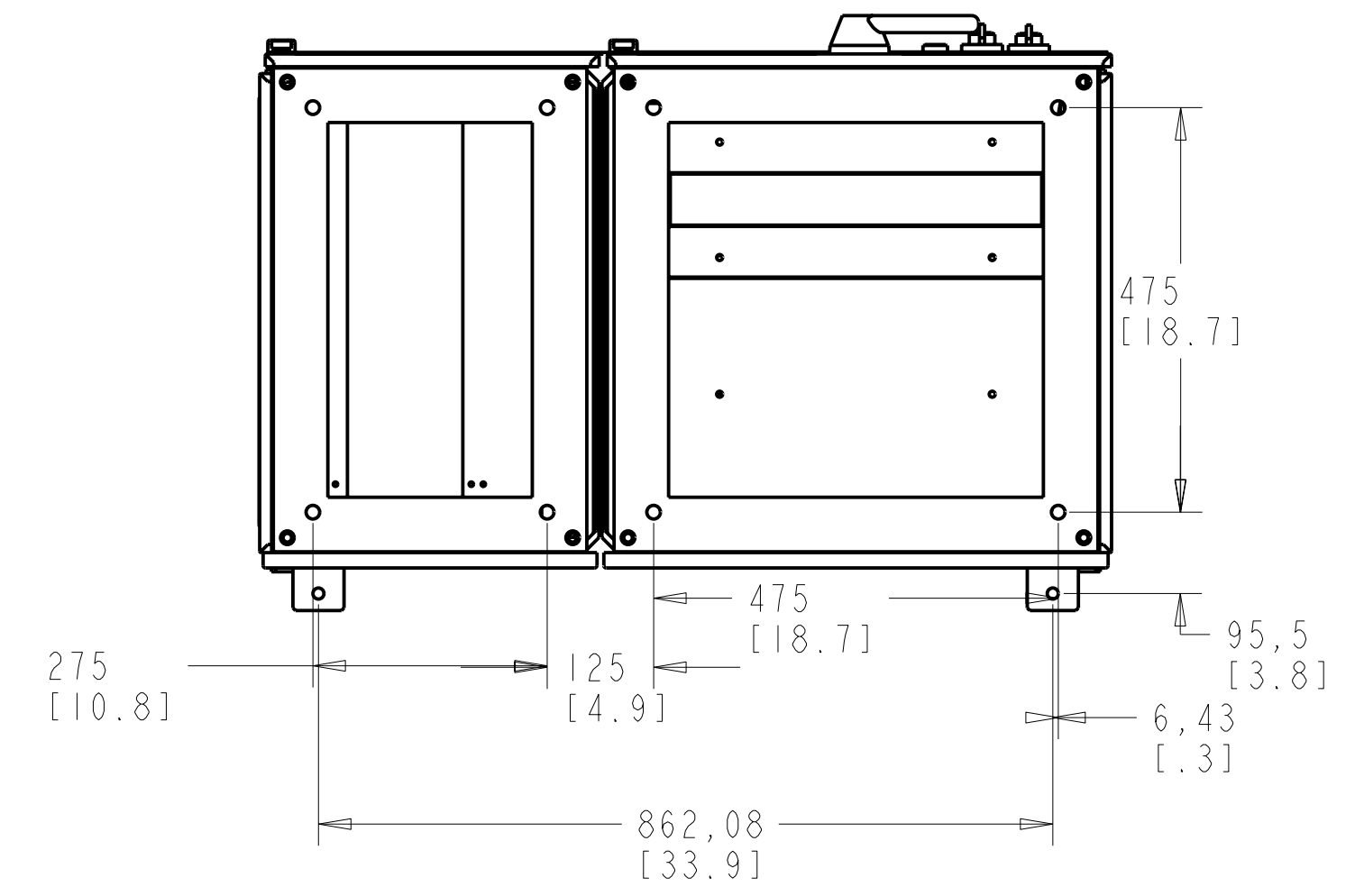
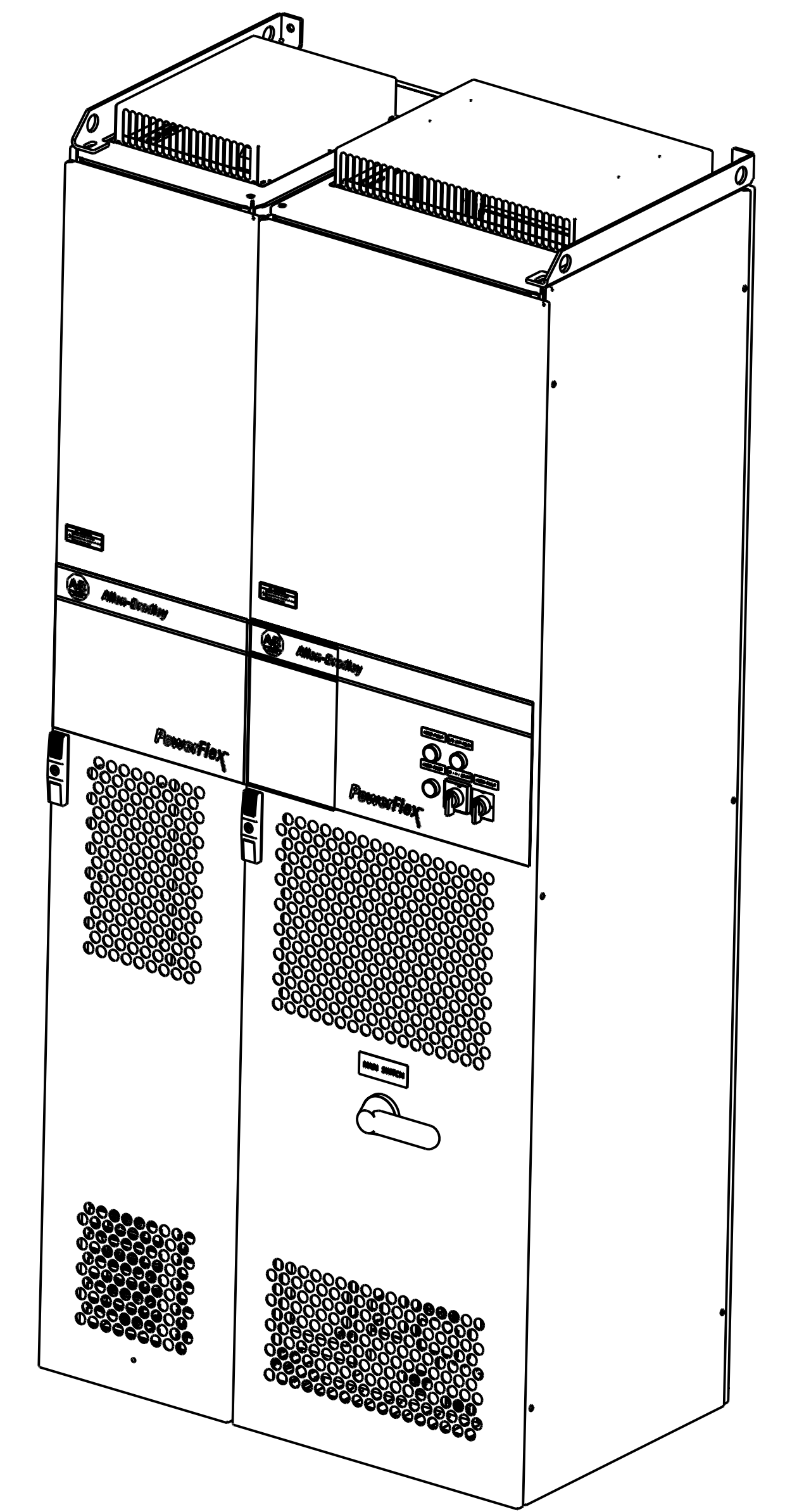
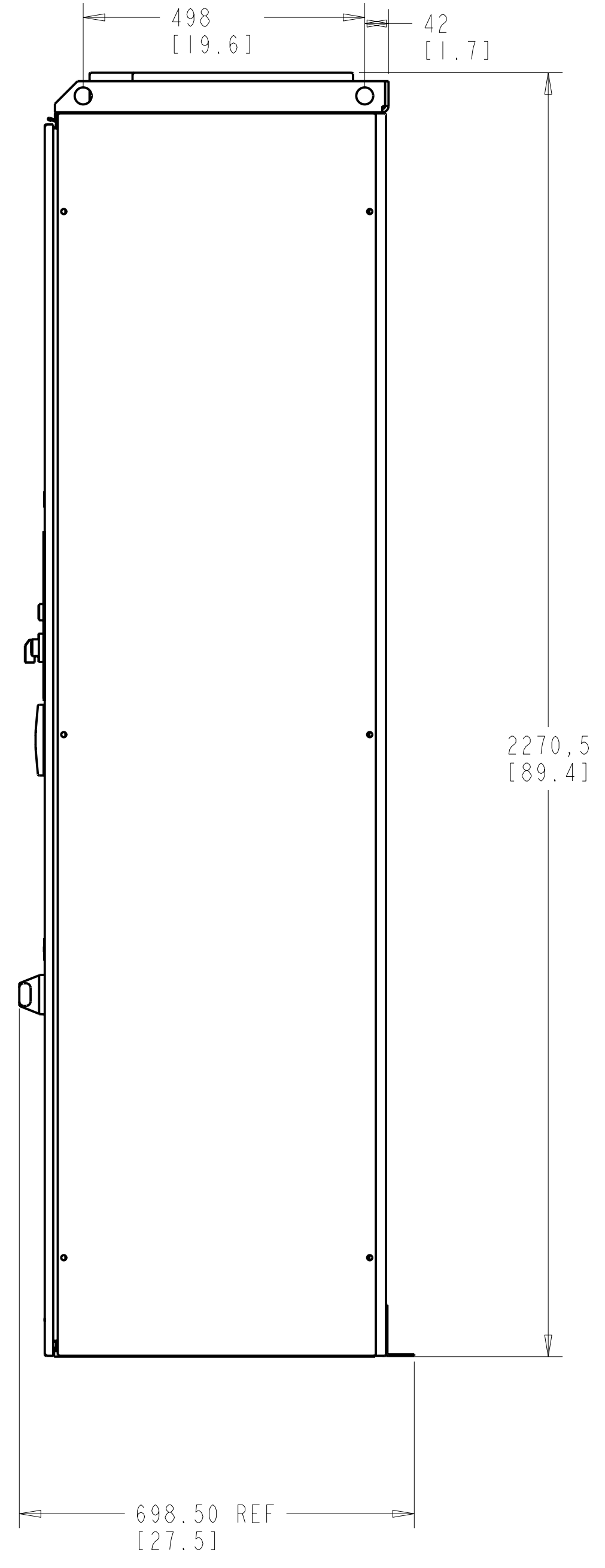
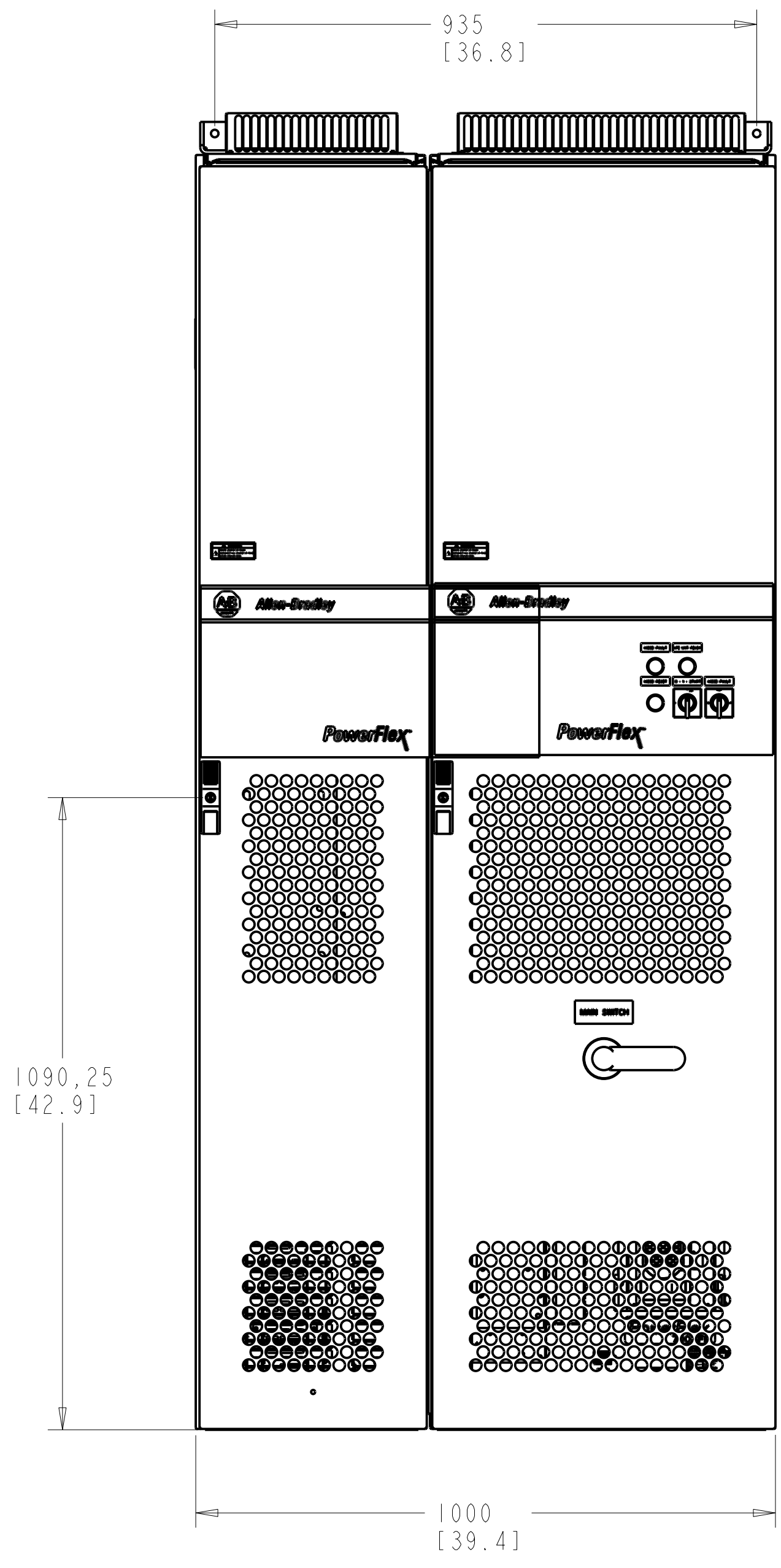
D

E

F

G

H



PARTS MUST CONFORM TO APPLICABLE ROCKWELL AUTOMATION MANUFACTURING STANDARDS

**CAD DOCUMENT**

FILE NAME 379188-6

REFERENCES		POWERFLEX 700AFE			CONFIDENTIAL AND PROPRIETARY INFORMATION THIS DOCUMENT CONTAINS CONFIDENTIAL AND PROPRIETARY INFORMATION OF ROCKWELL AUTOMATION, INC. AND MAY NOT BE USED, COPIED OR DISCLOSED TO OTHERS, EXCEPT WITH THE AUTHORIZED WRITTEN PERMISSION OF ROCKWELL AUTOMATION, INC.
REVISION AUTHORIZATION	DIMENSIONS APPLY BEFORE SURFACE TREATMENT DIMENSIONS IN MILLIMETERS	FRAME 10	OUTLINE AND SPECIFICATION DRAWING		
	TOLERANCES UNLESS OTHERWISE SPECIFIED	<b>Rockwell Automation</b>			
	.X:±				
	.XX:±	DR.	DLE	DATE	03-03-08
02	ANGLES:±	CHKD.		DATE	
01	DLE 8/15/08	APPD.		DATE	
					SHEET 5 OF 5
					DWG. SIZE D
					379188-6