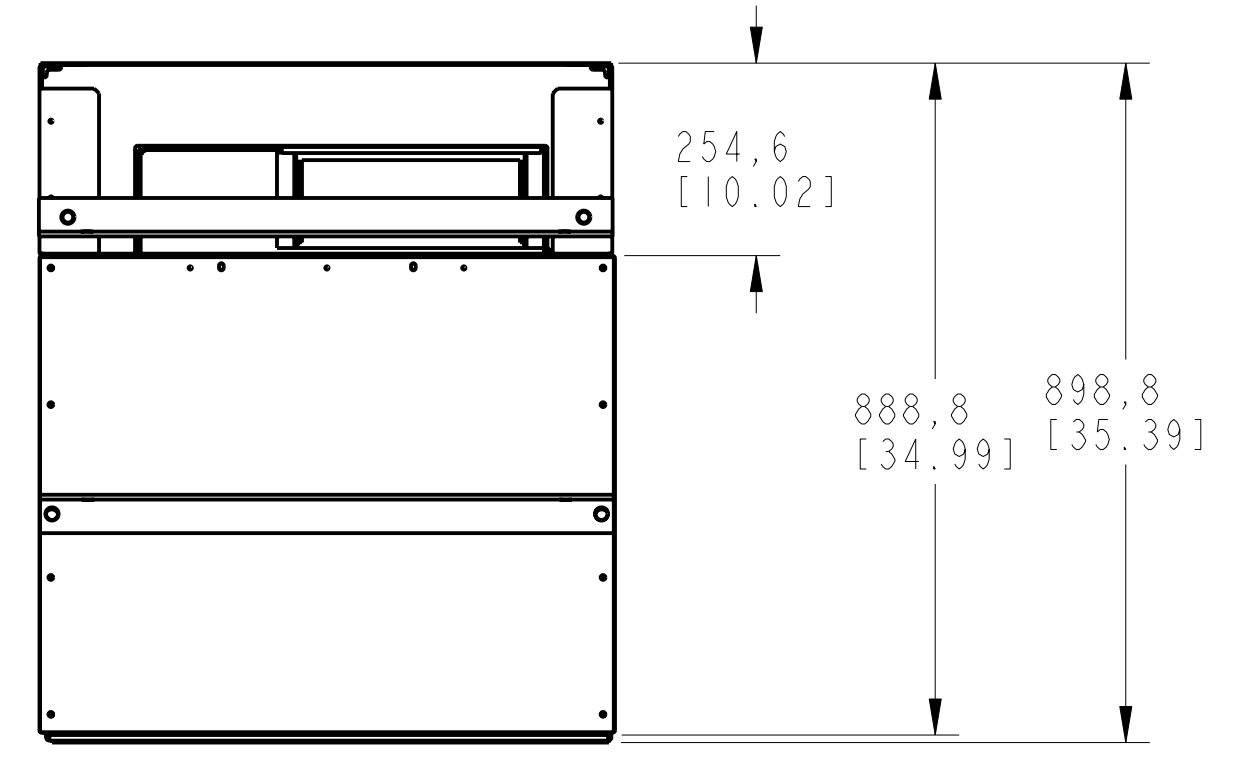
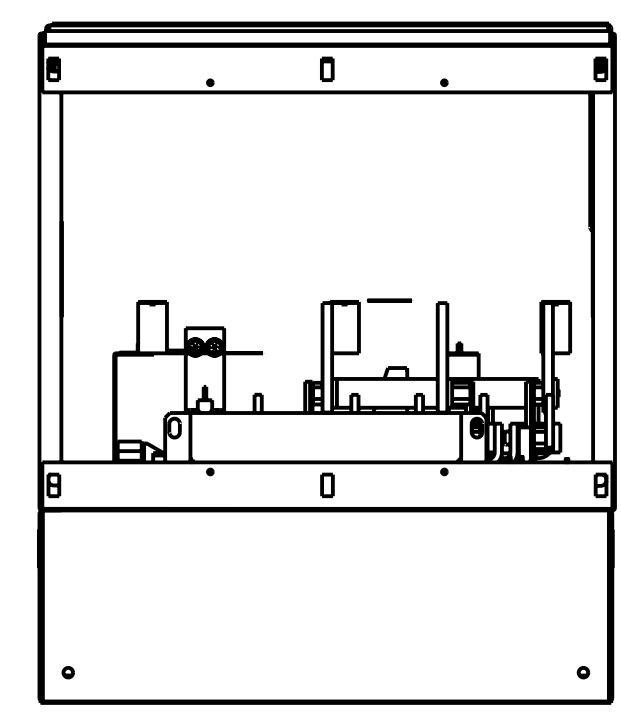
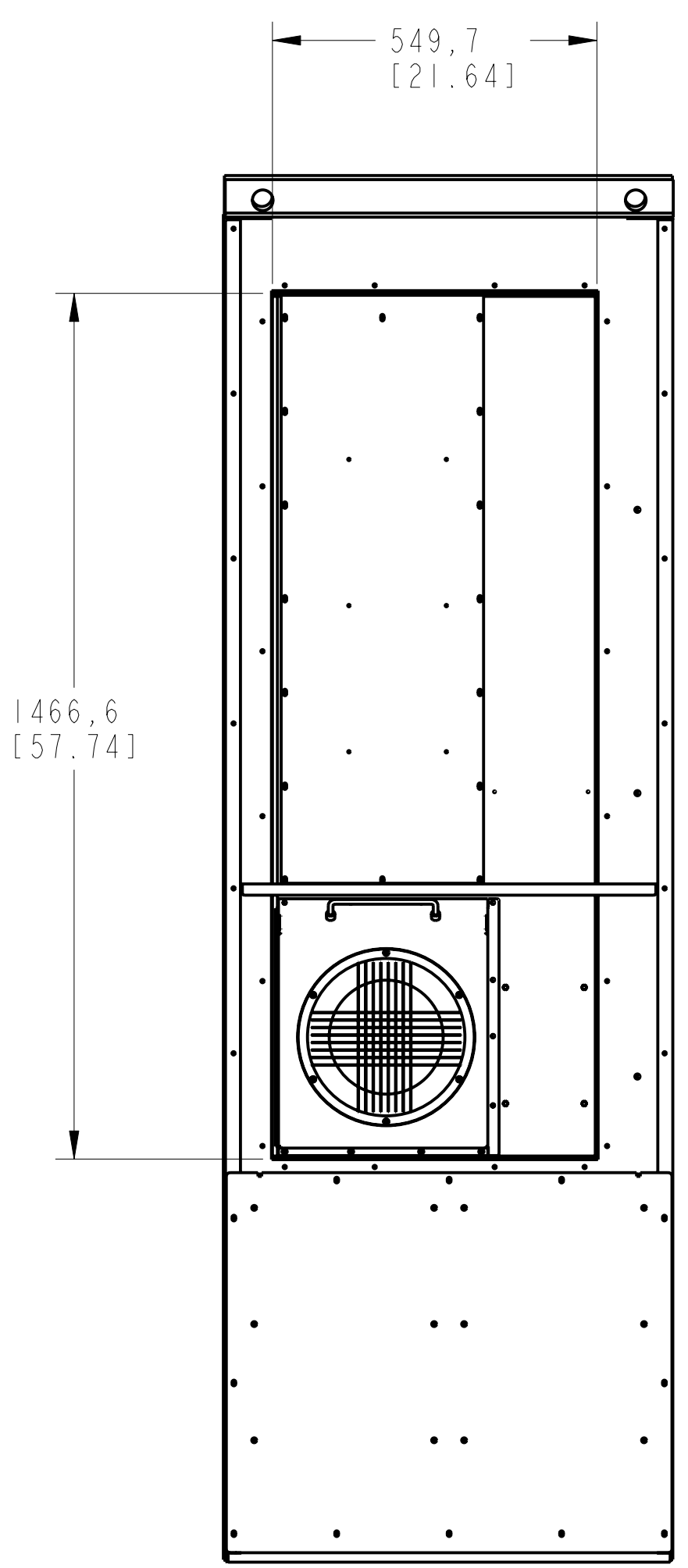
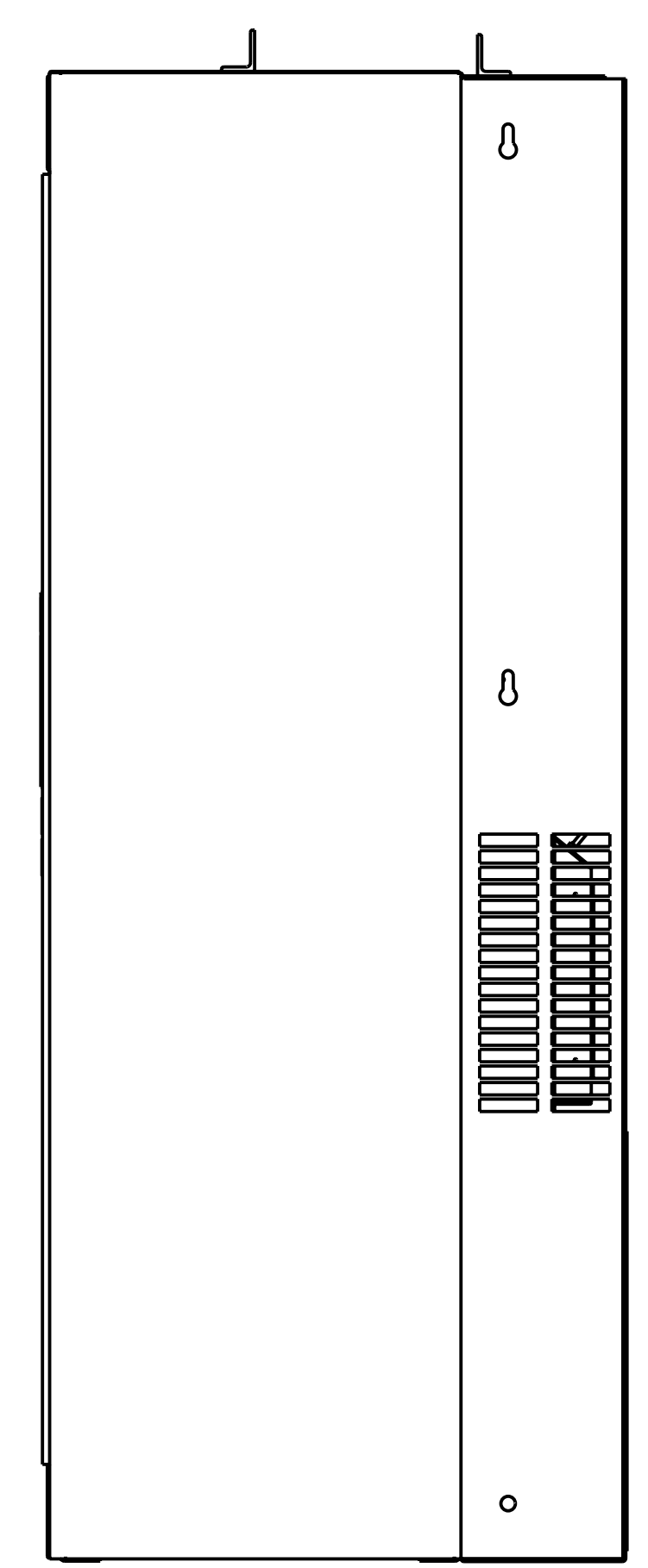
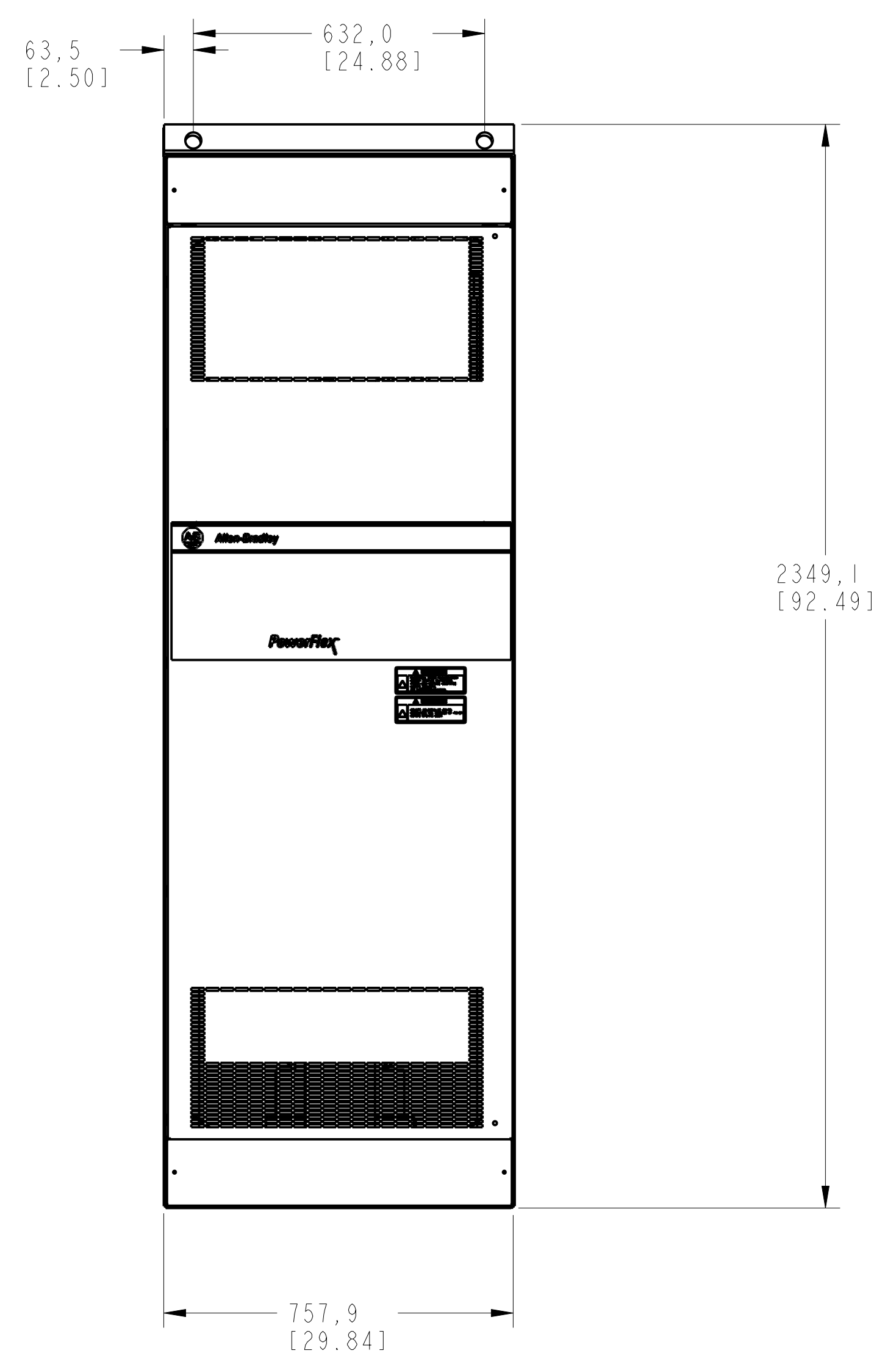
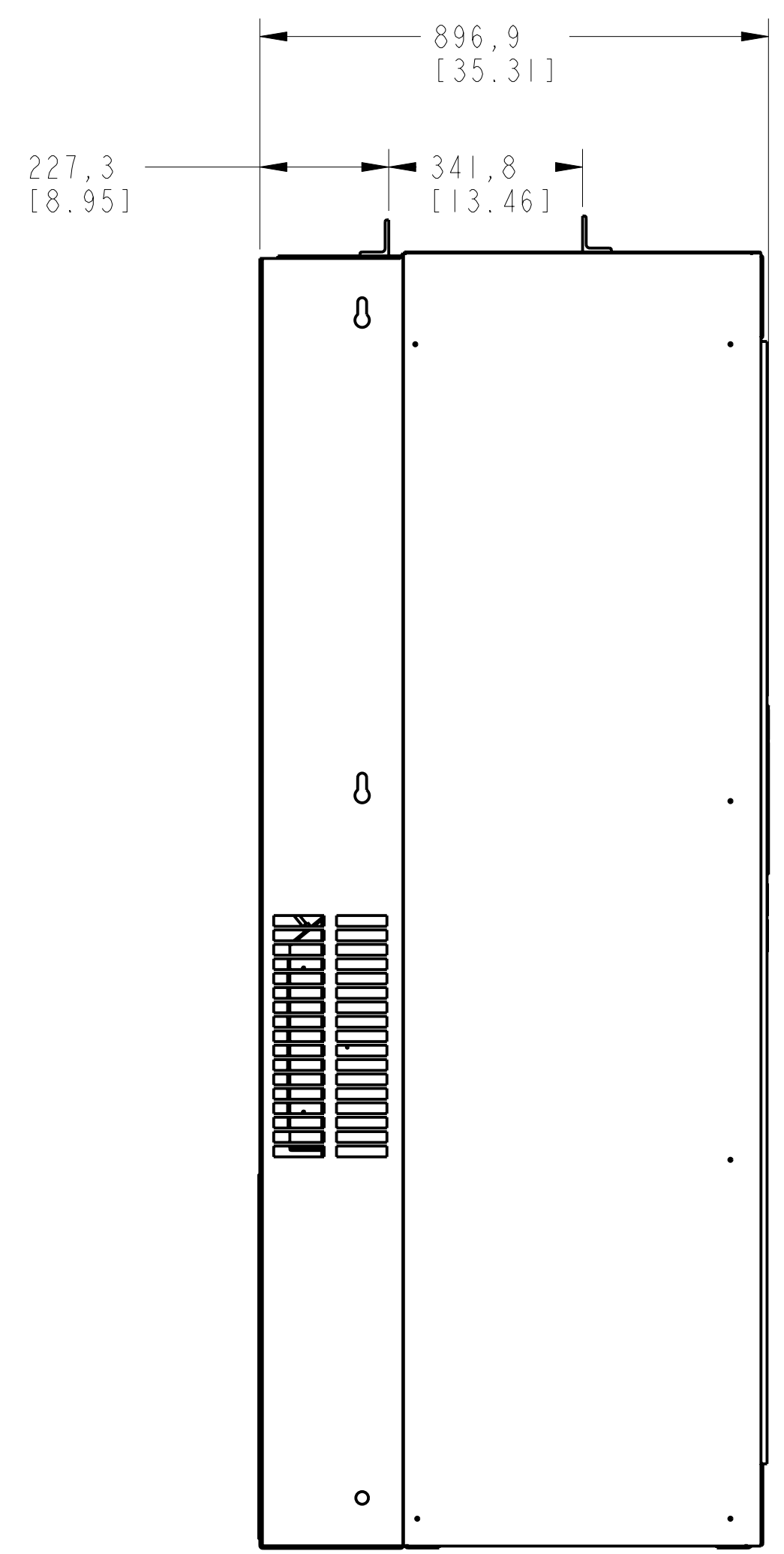


1 2 3 4 5 6 7 8

A  
B  
C  
D  
E  
F  
G  
H



FRAME 8  
365A, 415A, 481A

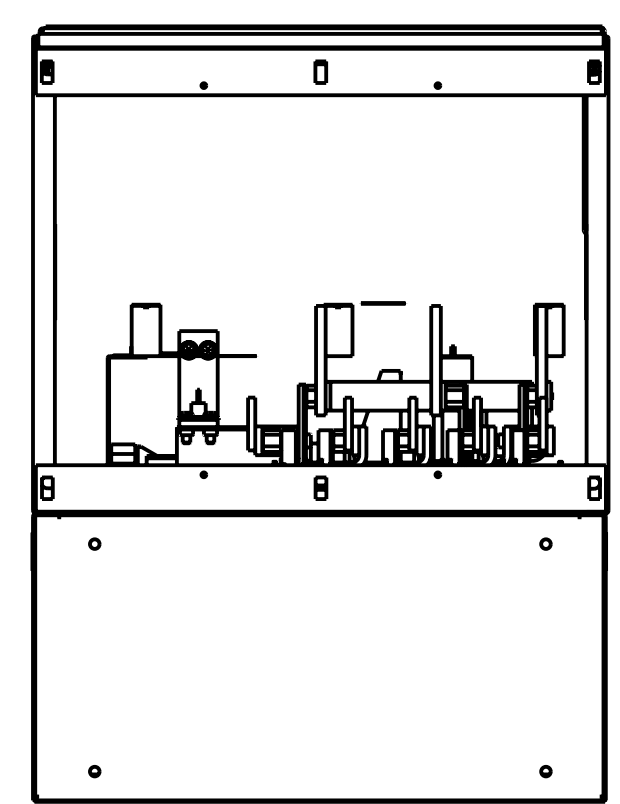
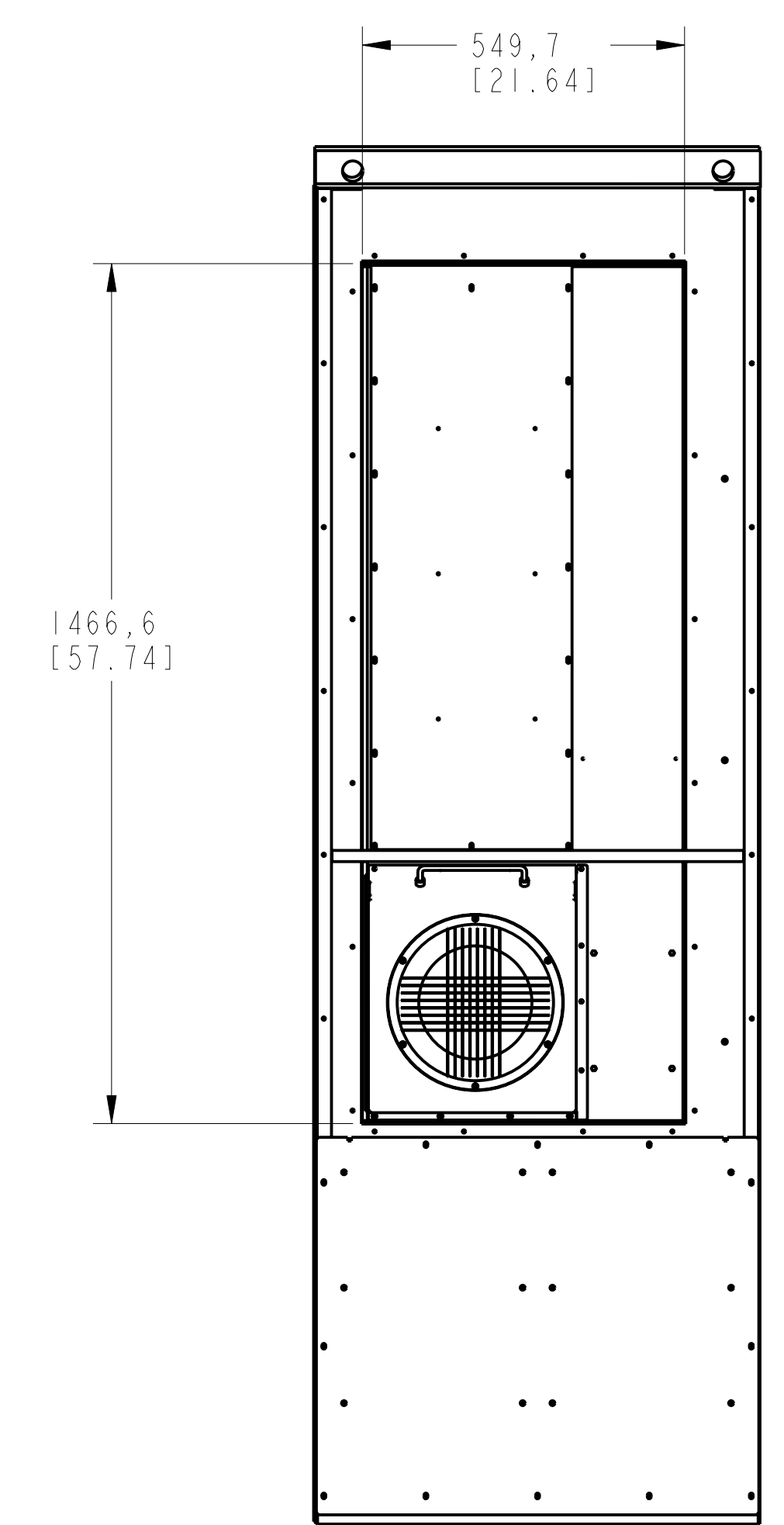
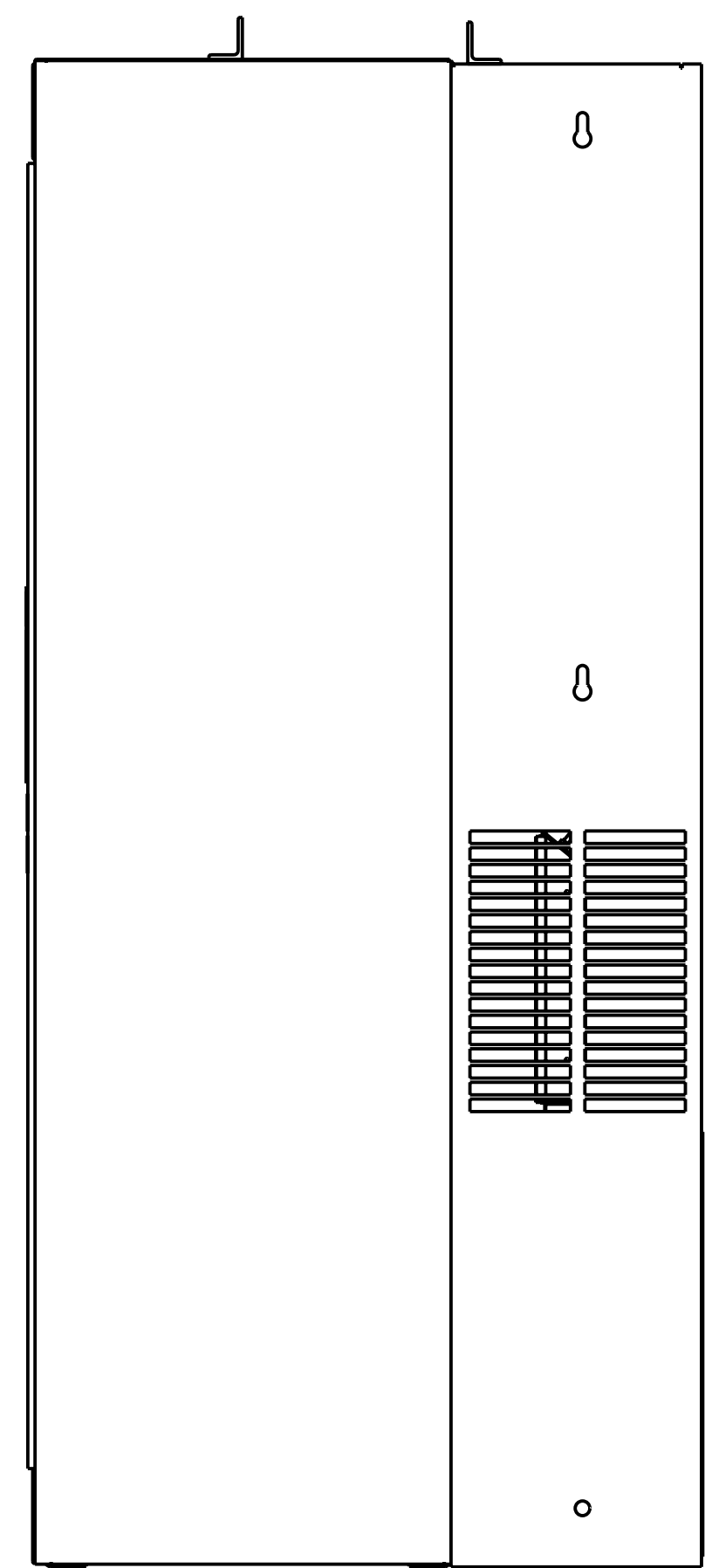
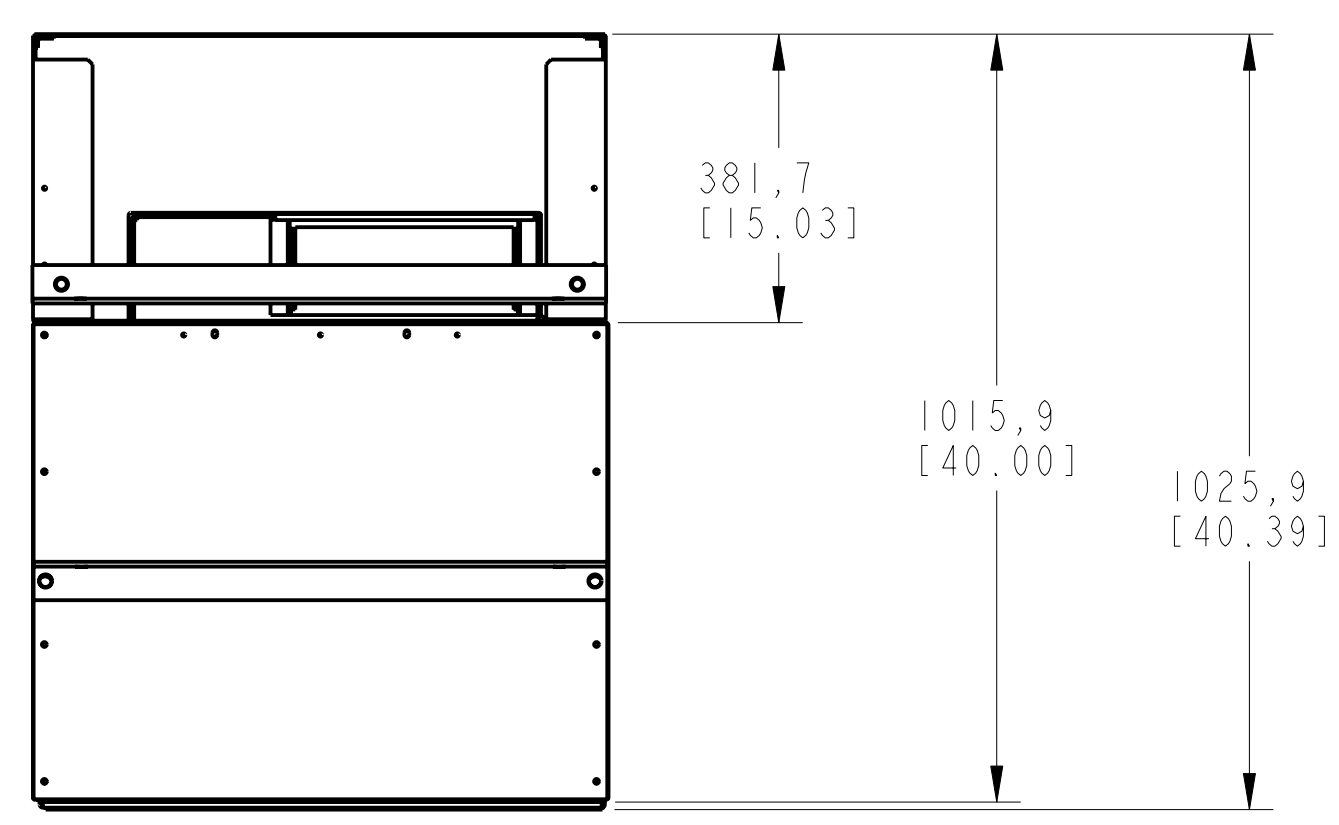
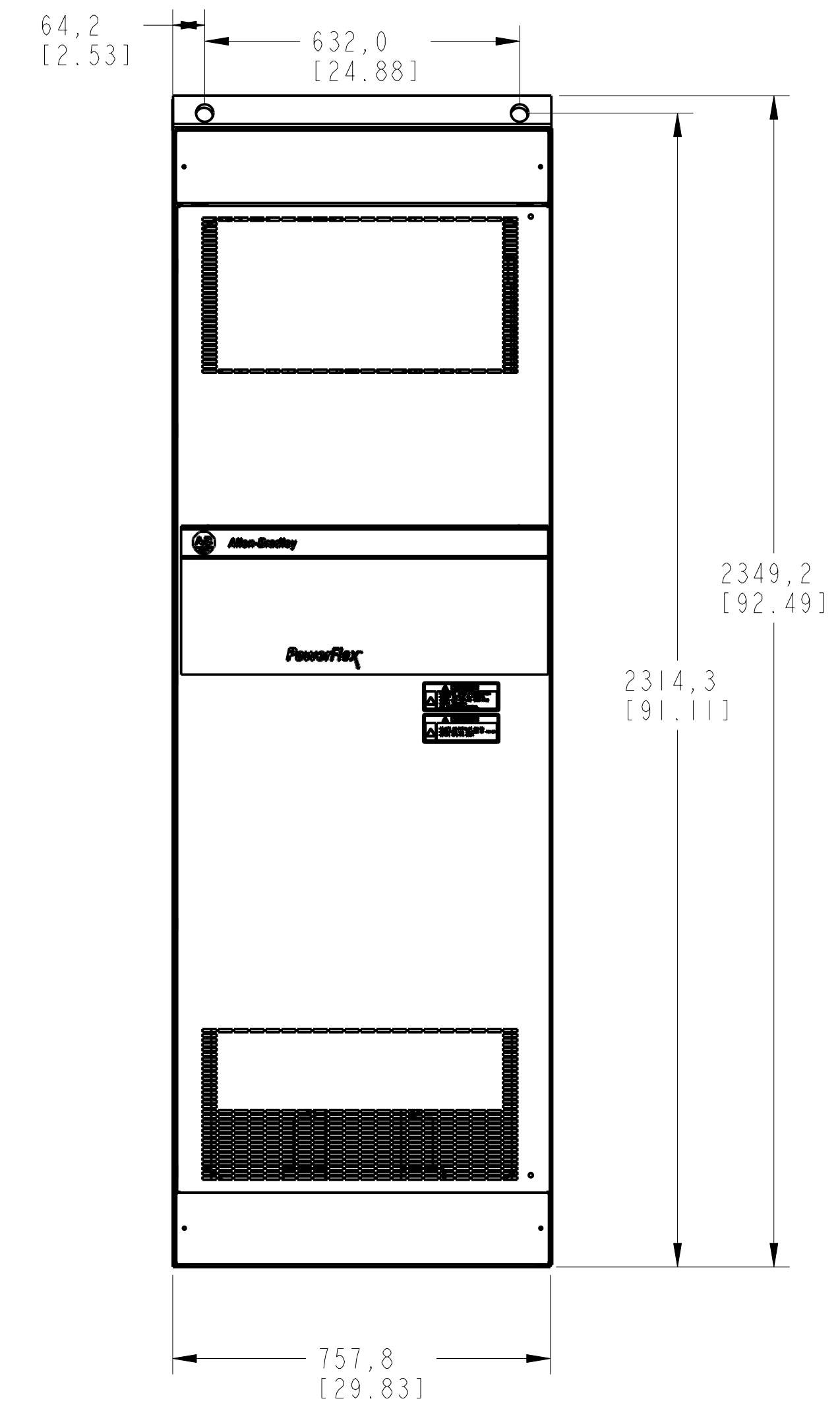
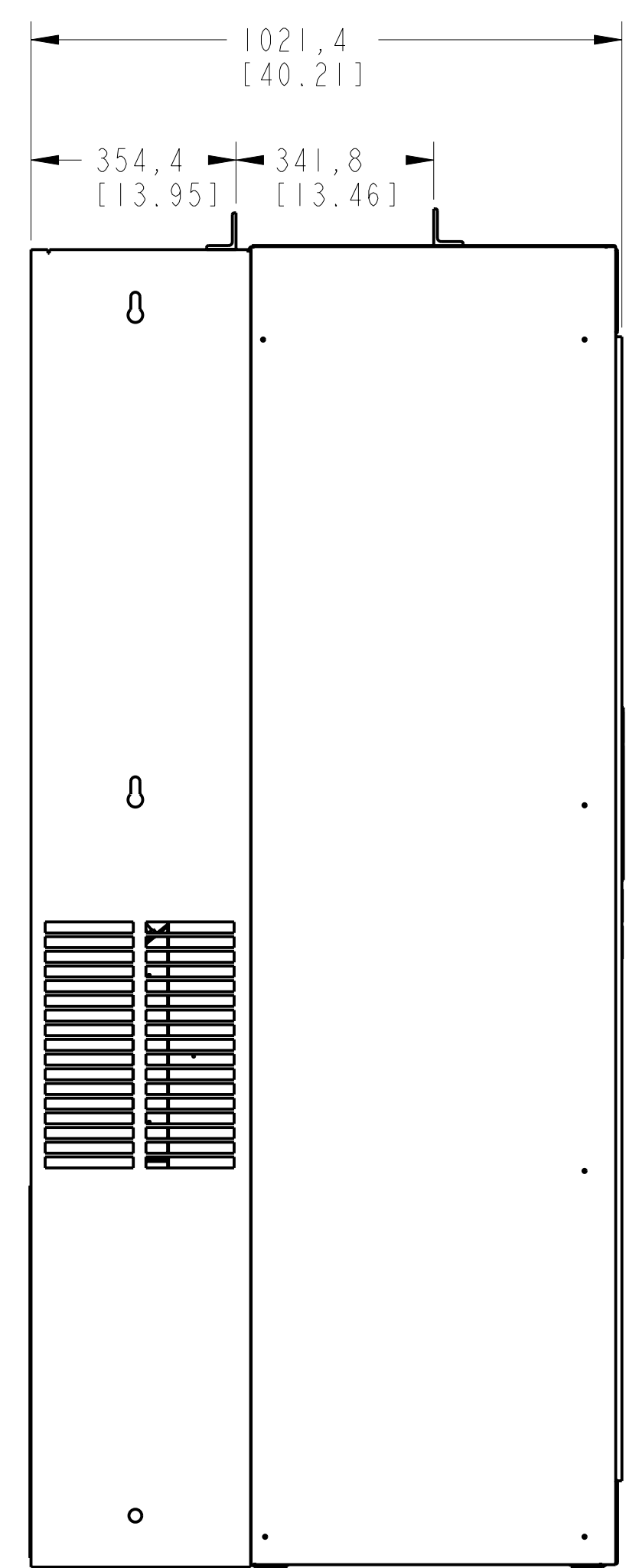


		<small>CONFIDENTIAL AND PROPRIETARY INFORMATION THIS DOCUMENT CONTAINS CONFIDENTIAL AND PROPRIETARY INFORMATION OF ROCKWELL AUTOMATION, INC. AND MAY NOT BE USED, COPIED OR DISCLOSED TO OTHERS, EXCEPT WITH THE AUTHORIZED WRITTEN PERMISSION OF ROCKWELL AUTOMATION, INC.</small>	
		Sheet 1 Of 3	
<b>OUTLINE DRAWING</b> FRAME 8, 9 & 10 1 BAY ENCLOSURE PF700		Size <b>D</b>	Ver <b>00</b>
Drawn by: CDSWOVER		Date: 09-01-10	
		<b>10000106541</b>	

1 2 3 4 5 6 7 8

A  
B  
C  
D  
E  
F  
G  
H

FRAME 8 AND FRAME 9  
535A, 600A



		<small>CONFIDENTIAL AND PROPRIETARY INFORMATION THIS DOCUMENT CONTAINS CONFIDENTIAL AND PROPRIETARY INFORMATION OF ROCKWELL AUTOMATION, INC. AND MAY NOT BE USED, COPIED OR DISCLOSED TO OTHERS, EXCEPT WITH THE AUTHORIZED WRITTEN PERMISSION OF ROCKWELL AUTOMATION, INC.</small>	
		Sheet 2 Of 3	
OUTLINE DRAWING FRAME 8, 9 & 10 1 BAY ENCLOSURE PF700		Size D	Ver 00
Drawn by: CDSWOVER	Date: 09-01-10	10000106541	

1

2

3

4

5

6

7

8

A

B

C

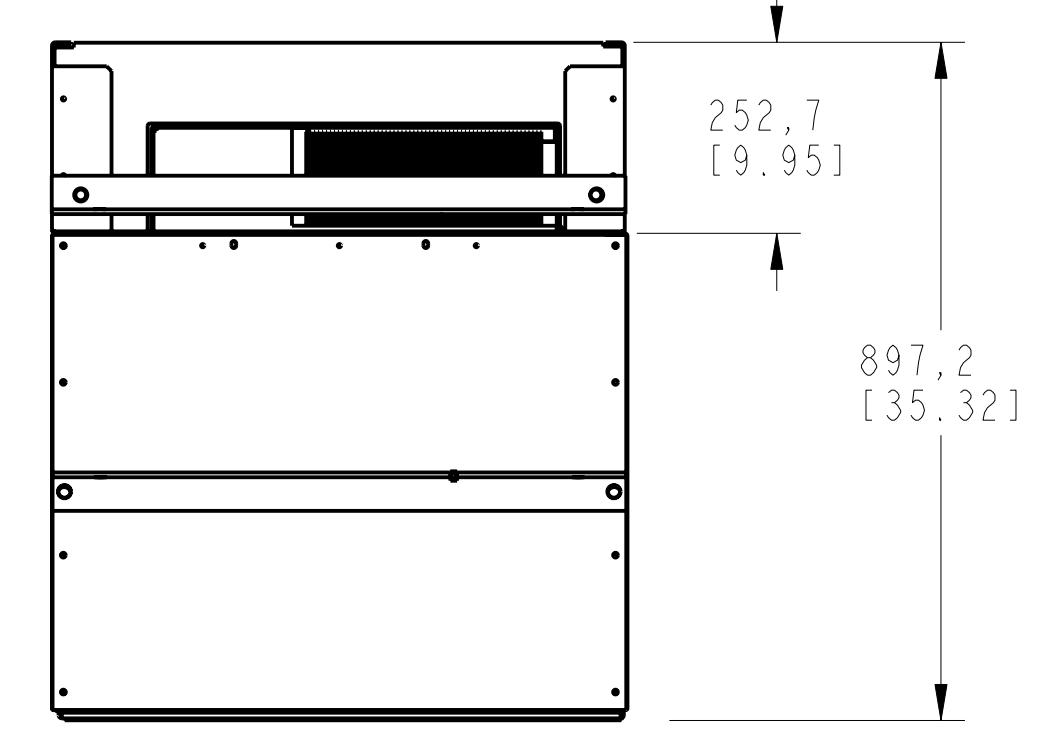
D

E

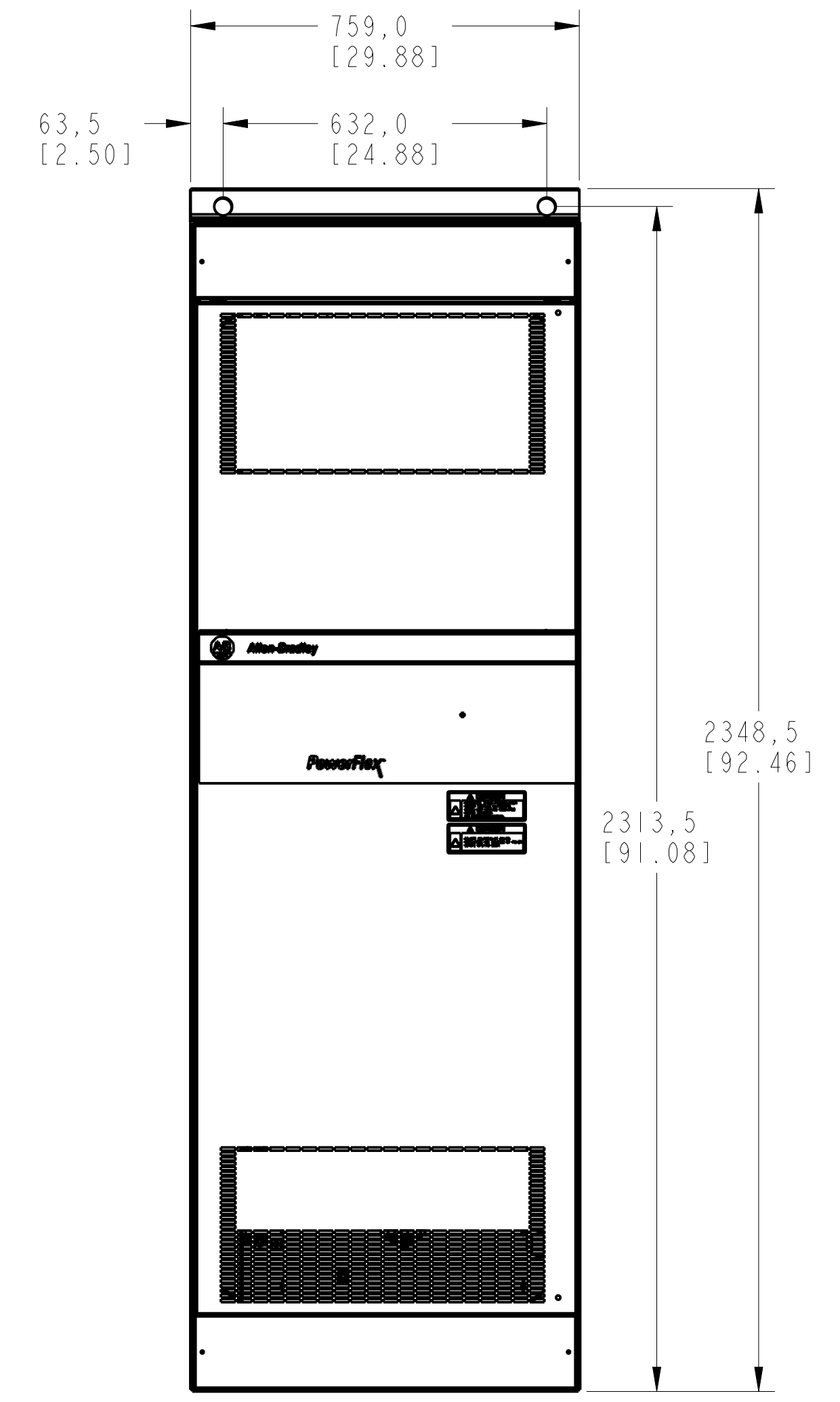
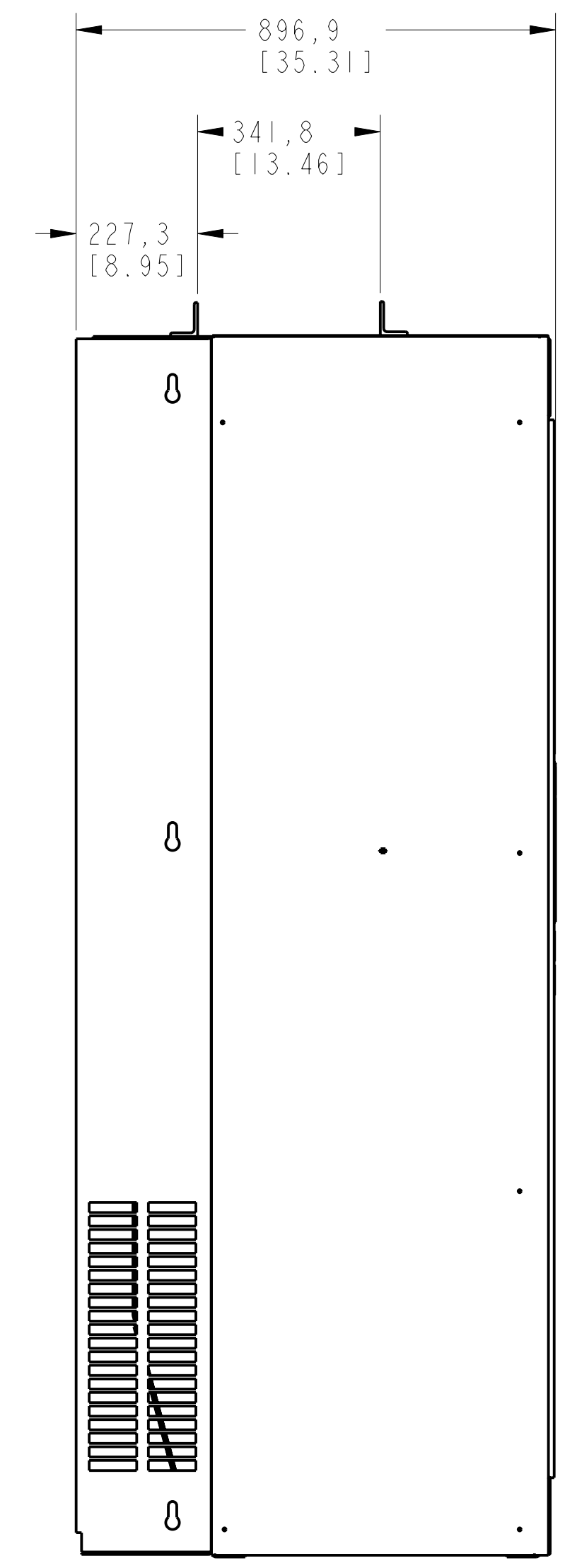
F

G

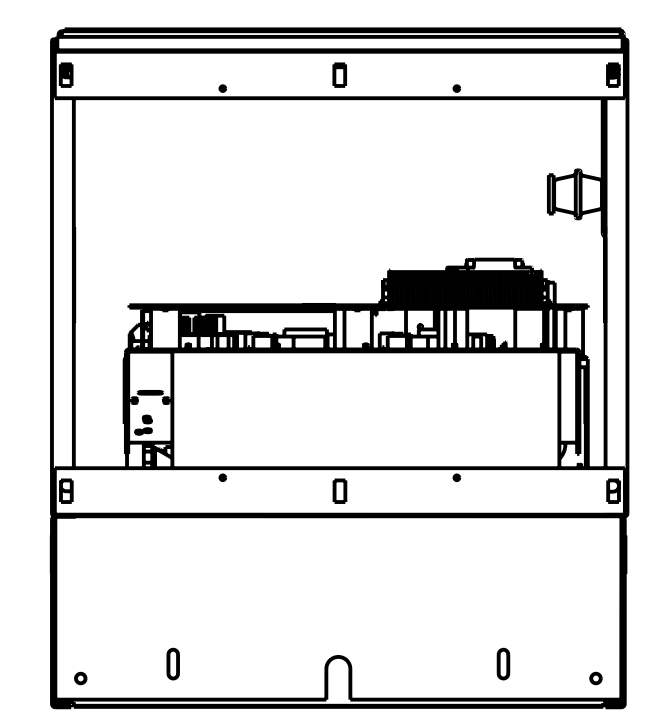
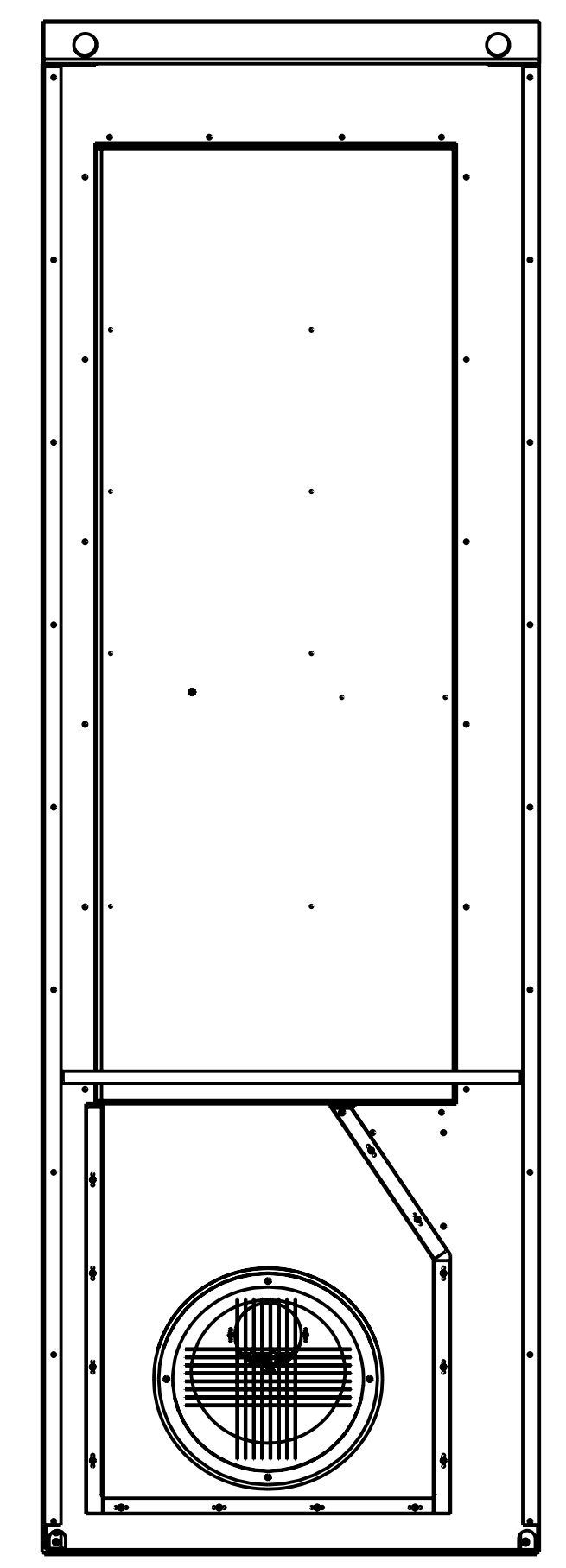
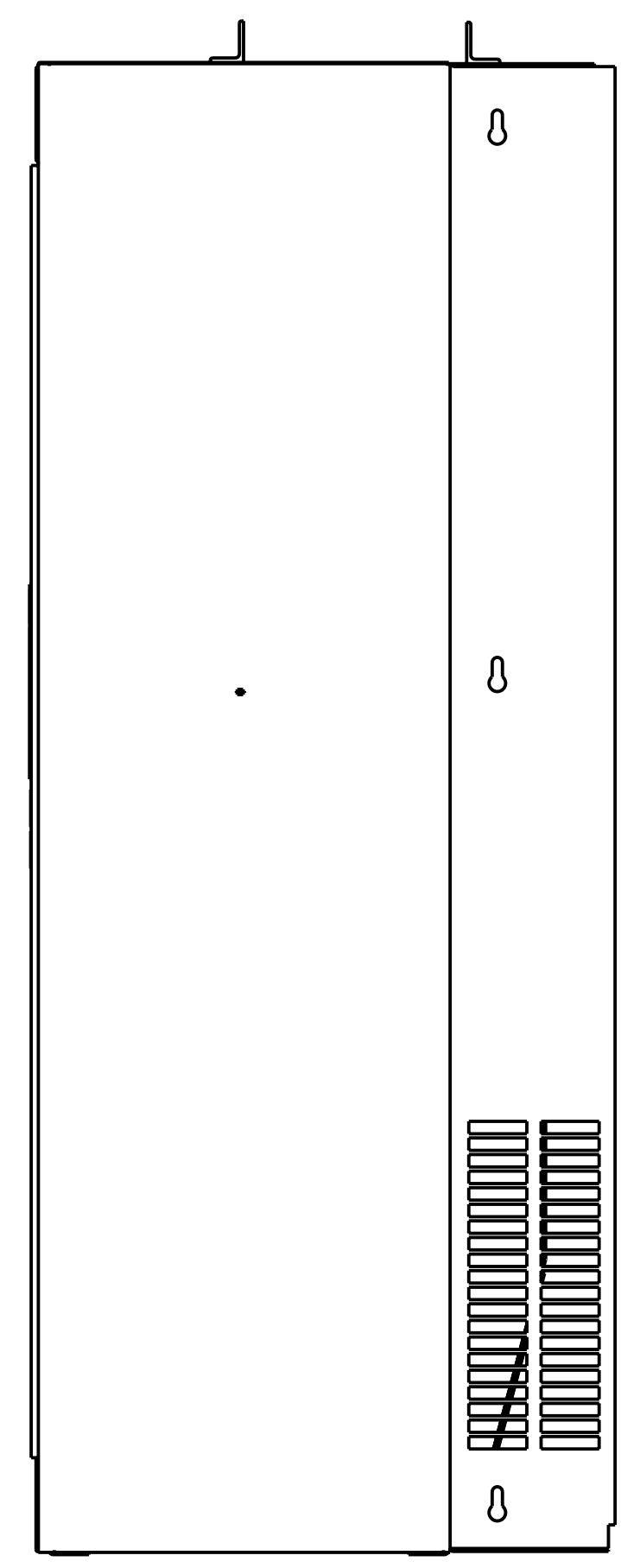
H



FRAME 10  
DC INPUT



SCALE 0.100



		<small>CONFIDENTIAL AND PROPRIETARY INFORMATION THIS DOCUMENT CONTAINS CONFIDENTIAL AND PROPRIETARY INFORMATION OF ROCKWELL AUTOMATION, INC. AND MAY NOT BE USED, COPIED OR DISCLOSED TO OTHERS, EXCEPT WITH THE AUTHORIZED WRITTEN PERMISSION OF ROCKWELL AUTOMATION, INC.</small>	
		Sheet 3 Of 3	
<b>OUTLINE DRAWING</b> FRAME 8,9 & 10 1 BAY ENCLOSURE PF700		Size <b>D</b>	Ver <b>00</b>
Drawn by: I GUREVII	Date: 05-25-10	<b>10000106541</b>	